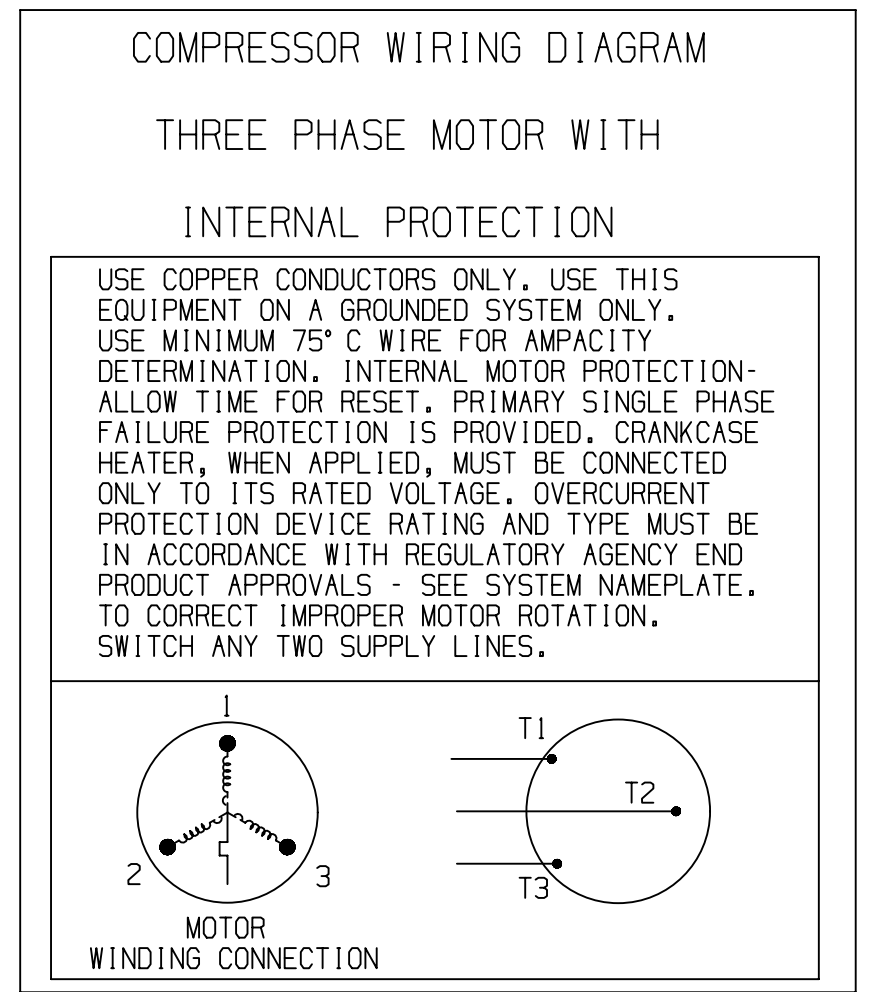
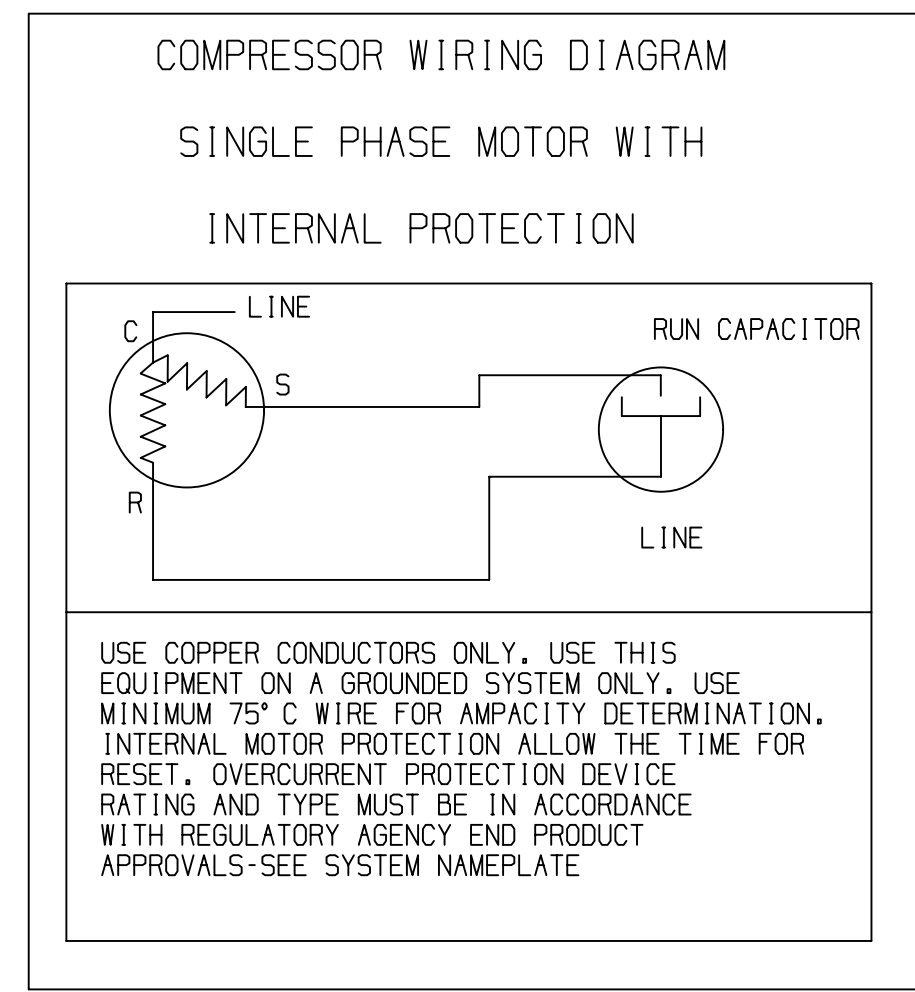
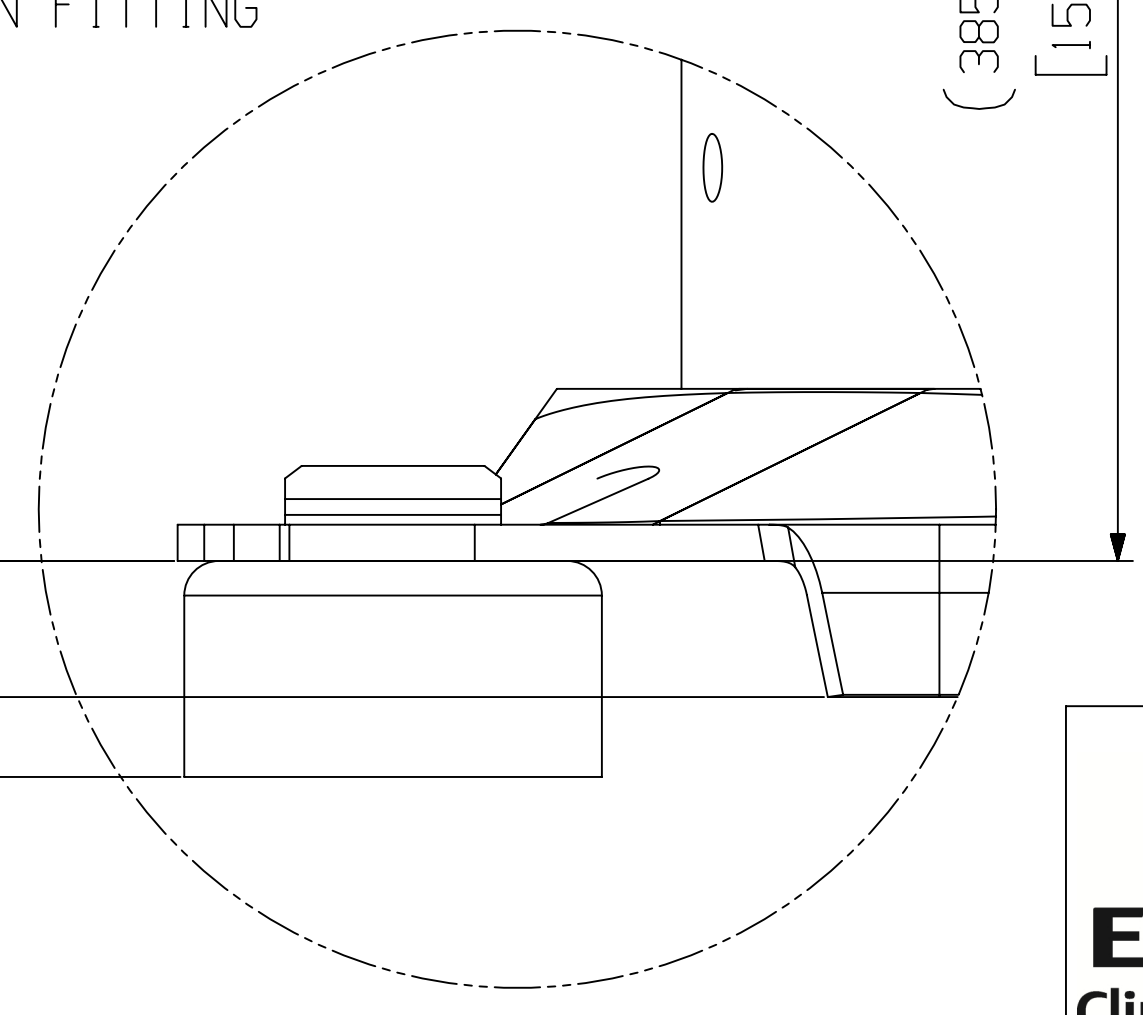
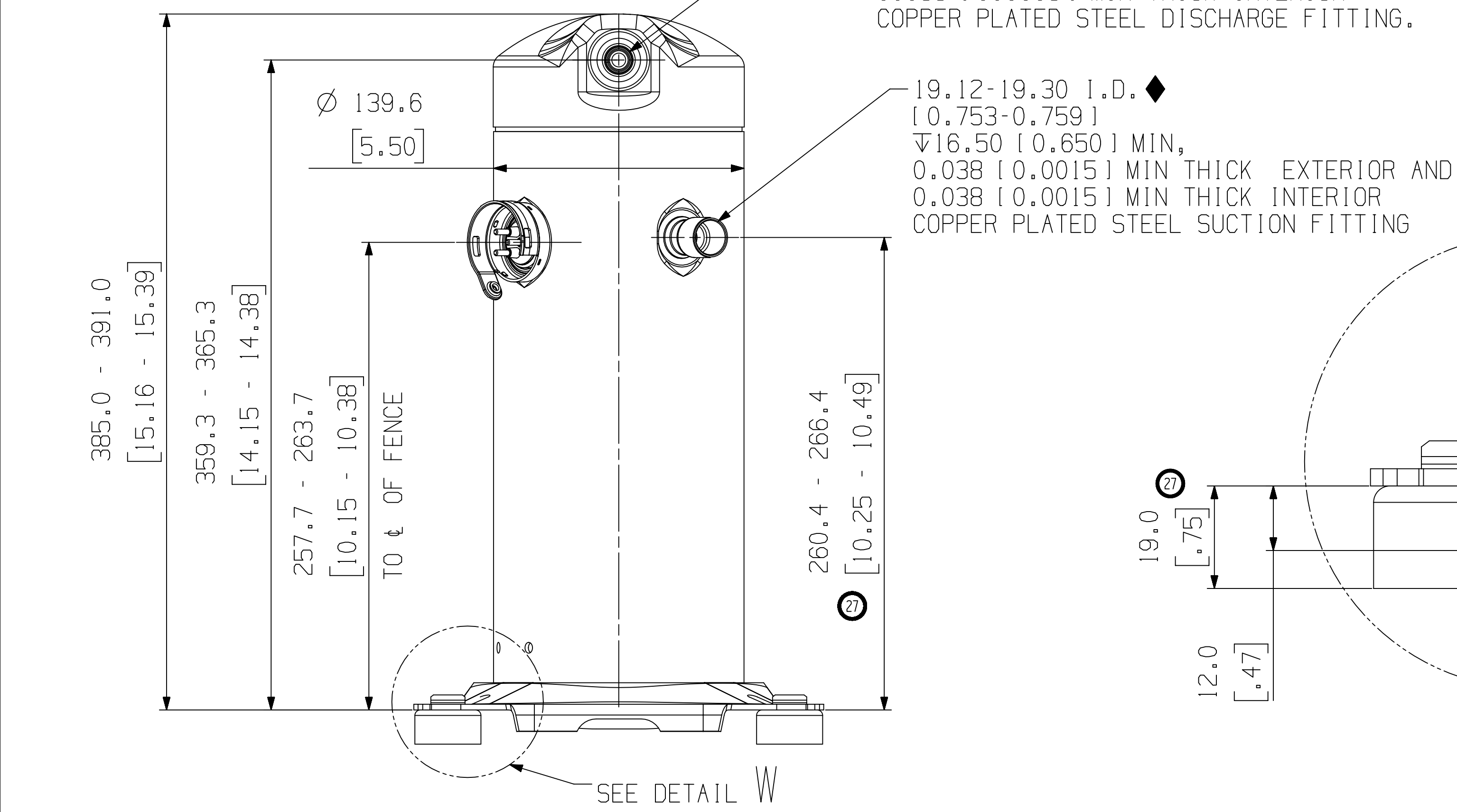
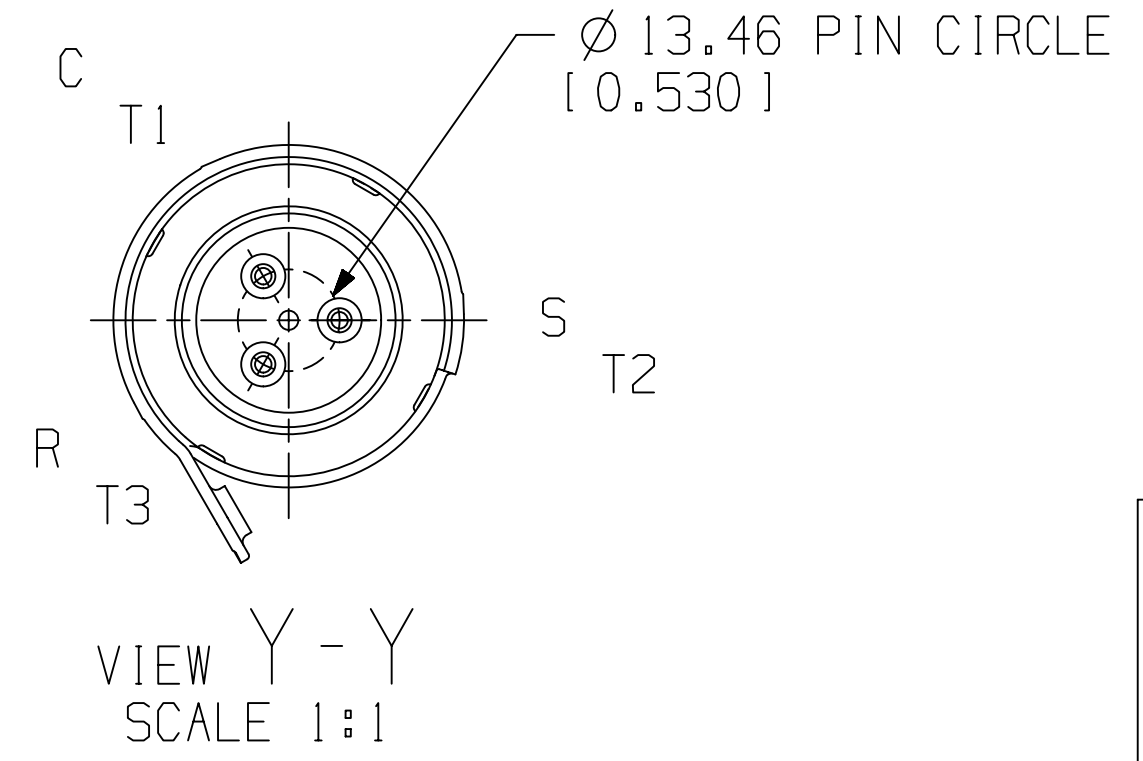


MODEL NUMBER	
29	ZP29K5E - PFV/TF5/TFD/TFE/PFJ/TF7
	ZP16K5E - PFV/PFJ
	ZP20K5E - PFV/PFJ/TF5/TFD/TFE
	ZP21K5E - PFV/PFJ/TF5/TFD/TFE
28	ZP24K5E - PFV/PFJ/TF5/TFD/TFE
	ZP25K5E - PFV/PFJ/TF5/TFD/TFE
30	ZP31K5E - PFV/PFJ/TF5/TFD/TFE/TF7
27	ZP28K5E - PFV/PFJ/TF5/TFD/TFE
	ZP14K5E - PFV

SPECIFICATIONS	
ES NO.	DESCRIPTION
ES92-155	CONVERSION-METRIC

- NOTES:
- ALL TOLERANCES ± 1.50 [0.060] UNLESS OTHERWISE SPECIFIED.
 - THE SUCTION TUBE, DISCHARGE TUBE, AND CIRCLE FENCE RADIAL DIMENSIONS ARE TO BE GAUGED FROM THE CENTER OF THE MOUNTING HOLE PATTERN.
 - TUBE ENDS MUST BE PLUGGED.
 - MOUNTING KIT:

GROMMET DUROMETER	4 FOOT KIT
30-35	527-0044-15



ECN	REV.	DESCRIPTION	DATE	BY	CHKD	APPR
ECN102850	30	ADDED MODEL: ZP31K5E-TF7	05-20-16	KVM	PBM	PBM
ECN101605	29	ADDED MODEL: ZP29K5E-TF7	01-29-16	MAM	PBM	PBM
ECN009112	28	ADDED MODEL: ZP24K5E-TFE	10-07-14	LKP	BR	KJR
ECN007552	27	REDRAWN WITH CHANGES	01-24-14	RRP	BR	KJR
32-1103-064	0	RELEASED	05-12-04	LMW	GD	RST

ENG NOTICE NO.	REV.NO.	REVISIONS	DATE	BY	CHKD	APPR
24	(53FR)	CONFIDENTIALITY NOTICE				
THIS DRAWING AND INFORMATION CONTAINED HEREIN ARE THE EXCLUSIVE PROPERTY OF EMERSON CLIMATE TECHNOLOGIES, INC. AND SHALL BE RETURNED UPON DEMAND AND SHALL NOT BE REPRODUCED IN WHOLE OR IN PART DISCLOSED TO ANYONE ELSE OR USED, WITHOUT THE WRITTEN CONSENT OF EMERSON CLIMATE TECHNOLOGIES, INC.						
MATERIAL SPECIFICATION		DRAWN BY	SUPERSEDES DWG. NO. / REV. NO.			
N/A		RRP	497-2836-00 / 026			
		DATE	SCALE	DATE FORMAT:		
		01-24-14	1:2	MM-DD-YY		
TITLE			DRAWING NUMBER	SHEET 1 OF 1		DWG
REF DWG-WELD COMP ASSM			497-2836-00			4
						SIZE

EMERSON Climate Technologies

Copeland brand products

INTERPRET PER ASME Y14.5M-1994 AND EMERSON CLIMATE TECHNOLOGIES, INC. DESIGN STANDARDS DS2002

DO NOT SCALE DRAWING

THIRD ANGLE PROJECTION

CRITICAL PRODUCT CHARACTERISTICS

UNLESS OTHERWISE SPECIFIED DIMENSIONS ARE MILLIMETER OR (1 INCH)

TOLERANCES:

1-PLACE \pm

2-PLACE \pm

ANGULAR \pm

DETAIL W
SCALE 3:2