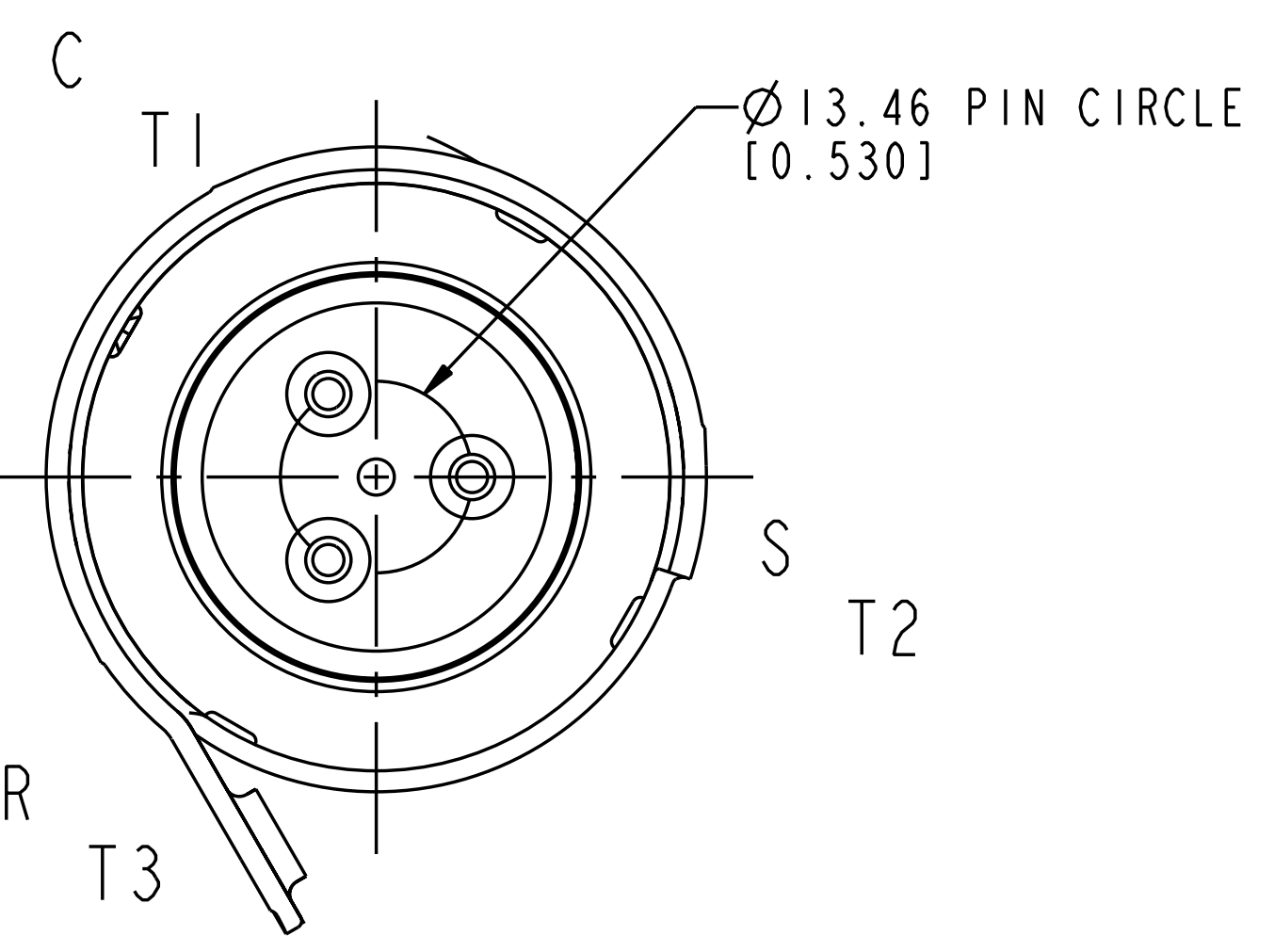
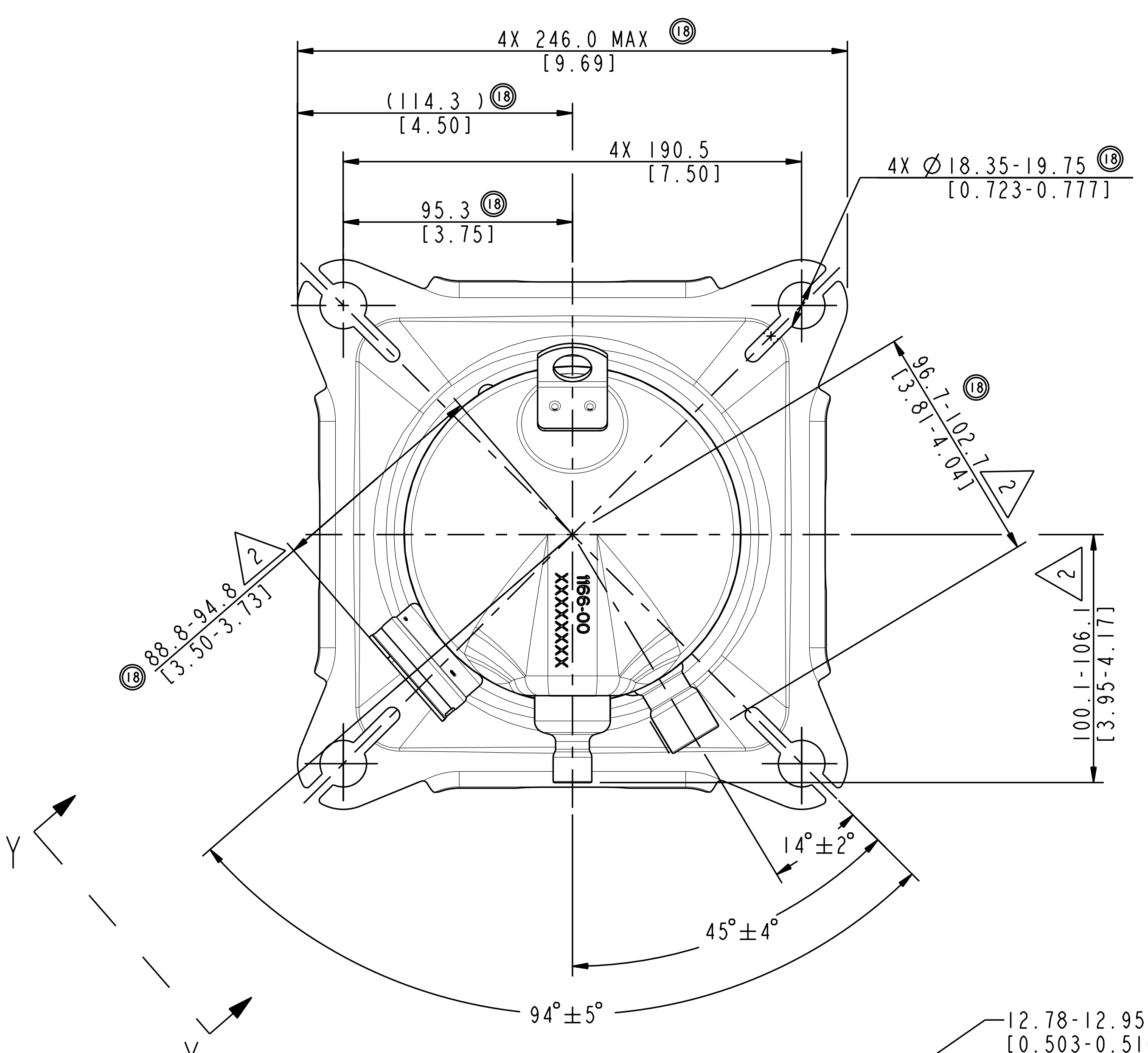
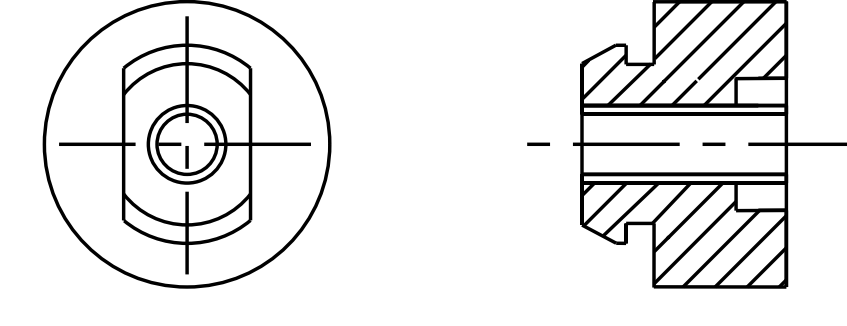


MODEL NUMBER	
ZR16K5-PFV	(14)
ZR18K5-PFV	(10)(17)
ZR21K5-PFV/PFJ/TF5/TFD/TF7	(13)
ZR25K5-PFV/TF5/TFD/PFJ/TF7	(11)(14)
ZR26K5-PFV	(8)(15)
ZR28K5-PFV/PFJ/TF5/TFD/TF7	(9)(12)(22)
ZR32K5-PFV/TF5/TFD/TFE/PFJ/TF7	(9)(12)(22)
ZR16K5E-PFV/PFJ	(9)(12)(22)
ZR18K5E-PFV/PFJ	(19)(20)
ZR21K5E-PFV/TF5/TFD/PFJ/TF7	(19)(20)
ZR25K5E-PFV/TF5/TFD/PFJ/TF7	(19)(20)
ZR28K5E-PFV/TF5/TFD/PFJ/TF7	(19)(20)
ZR32K5E-PFV/TF5/TFD/TFE/PFJ/TF7	(19)(20)
ZR34K5E-PFV/TF5	(21)
ZR34K5-PFV/TF5	(21)
ZR26K5E-PFV	(21)

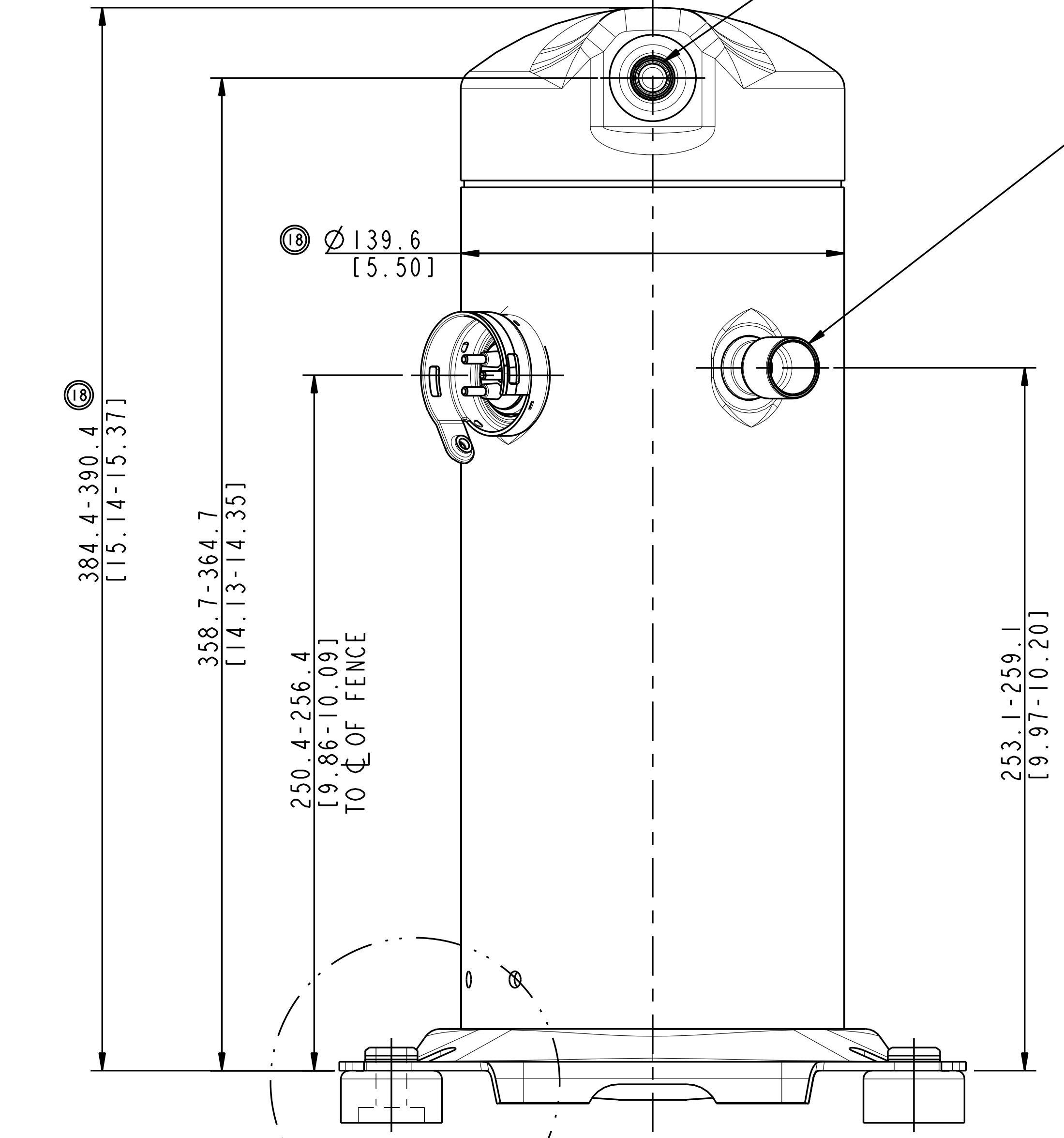
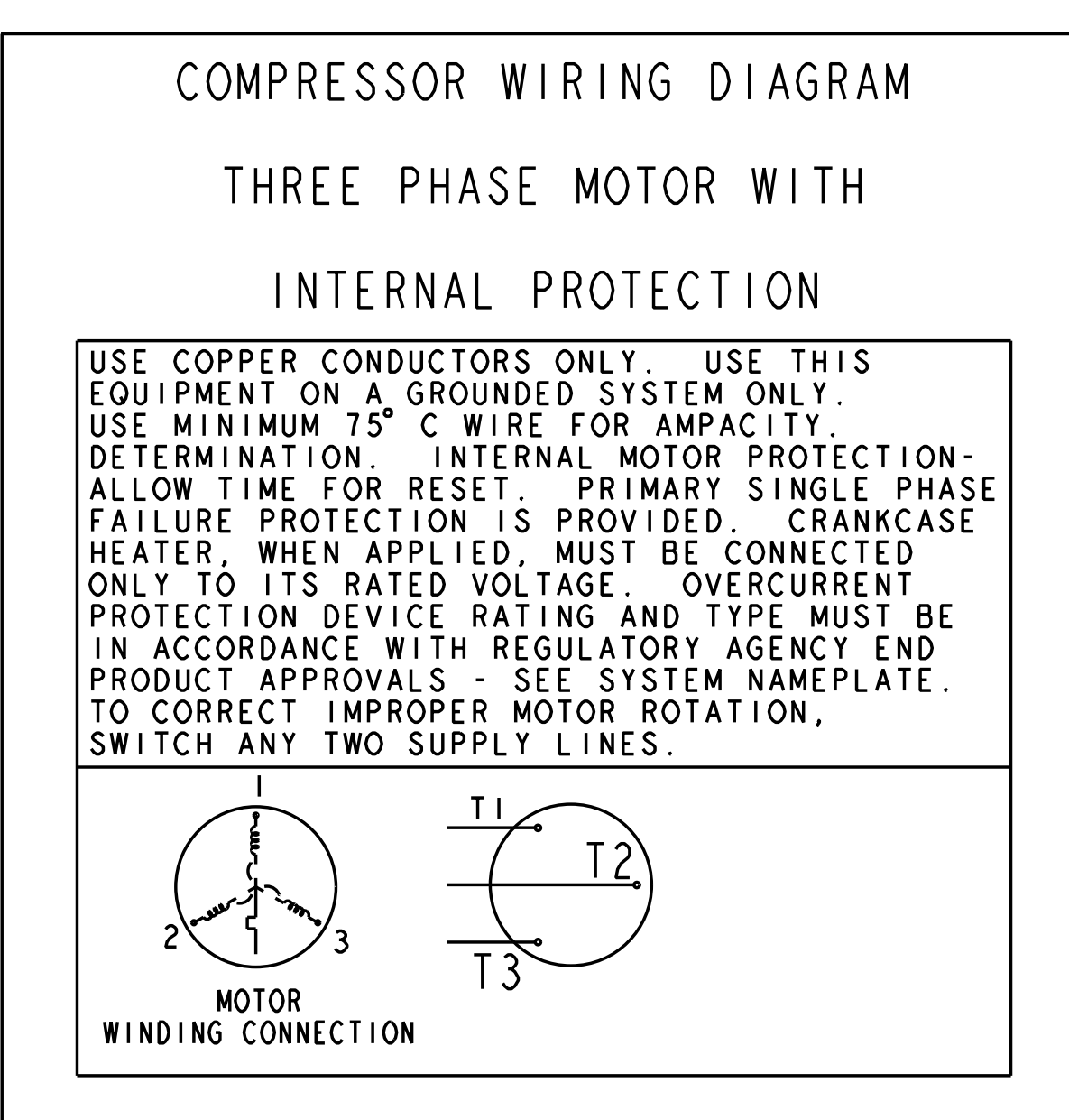
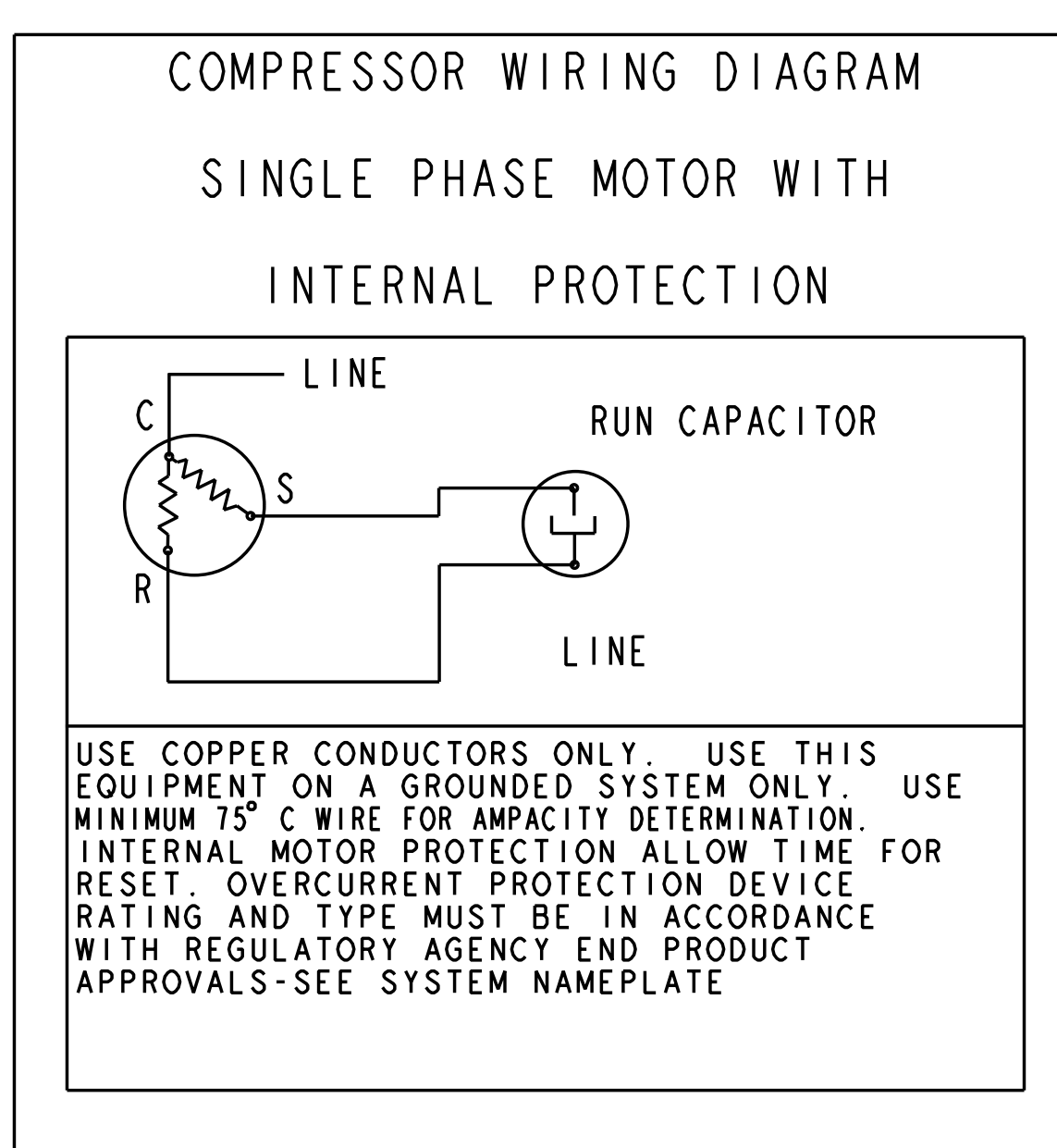
SPECIFICATIONS	
ES NO.	DESCRIPTION
ES92-155	CONVERSION-METRIC

- NOTES:
- ALL TOLERANCES ± 1.50 [0.060] UNLESS OTHERWISE SPECIFIED.
 - THE SUCTION TUBE, DISCHARGE TUBE, AND CIRCLE FENCE RADIAL DIMENSIONS ARE TO BE GAUGED FROM THE CENTER OF THE MOUNTING HOLE PATTERN.
 - TUBE ENDS MUST BE PLUGGED.
 - MOUNTING KIT:

GROMMET DUROMETER	4 FOOT KIT
30-35	527-0044-15

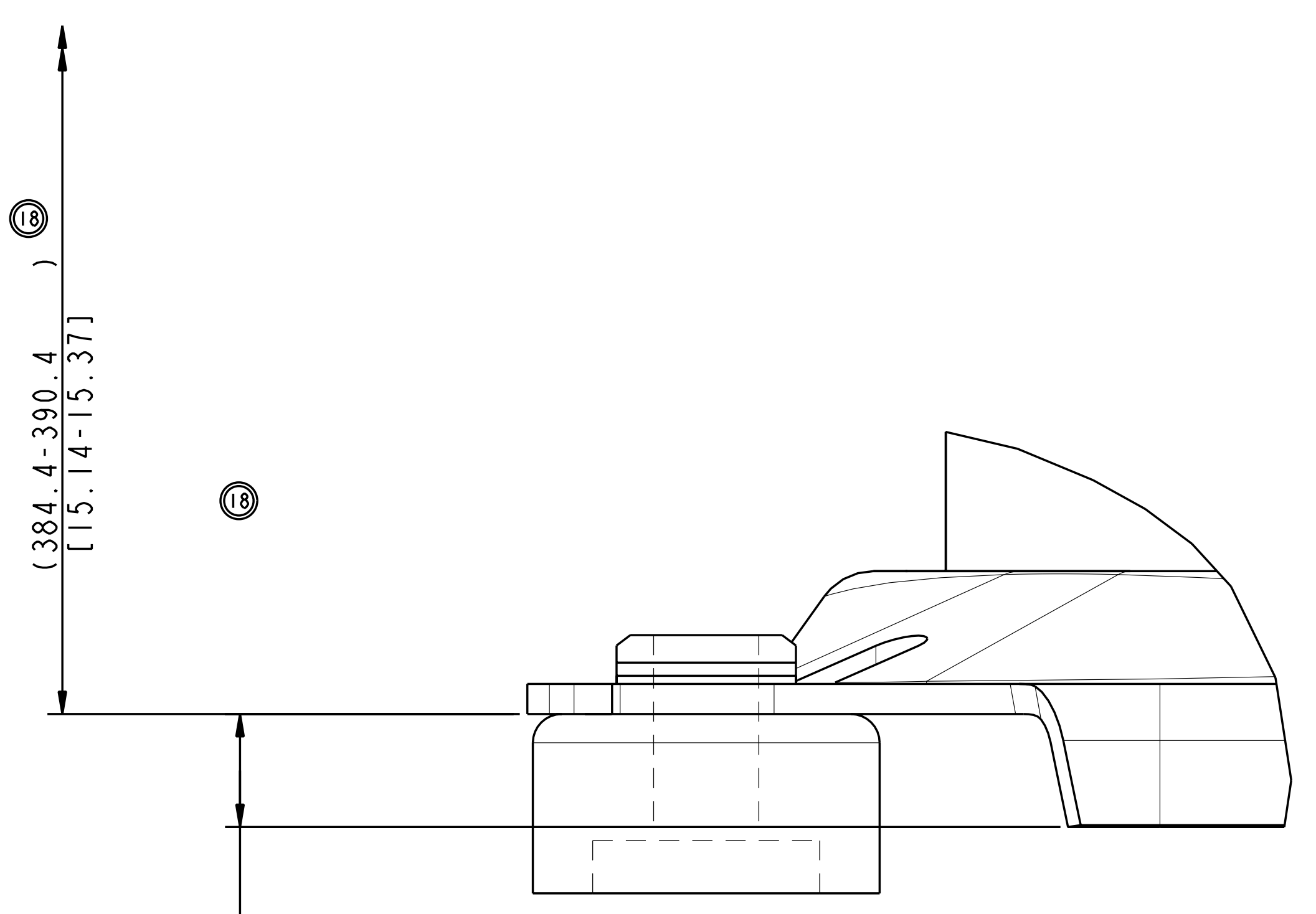


VIEW Y-Y
SCALE 2:1



12.78-12.95 I.D. [0.503-0.510]
10.10 [0.398] MIN, 0.038 [0.0015] MIN THICK EXTERIOR AND 0.038 [0.0015] MIN THICK INTERIOR COPPER PLATED STEEL DISCHARGE FITTING.

19.12-19.30 I.D. [0.753-0.759]
16.00 [0.630] MIN, 0.038 [0.0015] MIN THICK EXTERIOR AND 0.038 [0.0015] MIN THICK INTERIOR COPPER PLATED STEEL SUCTION FITTING



DETAIL W
SCALE 2:1

REV. NO.	DESCRIPTION	DATE	BY	CHKD	APPR	
ECN007321	22	ADDED ZR21/25/28/32K5E-TF7	07-05-13	RRP	BR	KJR
ECN007141	21	ADDED ZR26K5E-PFV & ZR34K5E-TFS	05-17-13	PBM	BR	KJR
ECN005593	20	ADDED ZR34K5-TF5	09-11-12	DKM	BR	KJR
ECN004215	19	ADDED ZR34K5E-PFV & ZR34K5-PFV	01-10-12	AMJ	BR	KJR
ECN004782	18	MODIFIED DIMENSIONS	12-01-11	PBM	BR	KJR
ECN003184	17	ADDED ZR25K5-TF7	11-22-11	PBM	BR	KJR
ECN003022	16	ADDED ZR16K5E-PFJ	02-15-11	PBM	BR	KJR
ECN002477	15	ADDED ZR18K5E-PFJ	10-12-10	MPK	EC	KJR
ECN002395	14	ADDED ZR21/28/32K5-TF7	08-26-10	PNA	MA	KJR
ECN002674	13	ADDED ZR26K5-PFV	07-26-10	PNA	CHK	KJR
ECN002616	12	ADDED ZR21/25/28/32K5E-PFJ	07-15-10	AU	CHK	KJR
ECN001624	11	ADDED ZR32K5-PFJ	06-30-10	AU	CHK	KJR
ECN002289	10	ADDED ZR25K5-PFJ	06-23-10	MPK	CHK	KJR
ECN002476	9	ADDED ZRK5E 3 PHASE MODELS	05-24-10	PNA	CHK	KJR
ECN002407	8	REDRAWN WITH CHANGES, ADDED ZRK5E MODELS	04-26-10	MPK	EC	KJR
ECN001631	0	RELEASED	07-07-09	EC	KJR	RT



INTERPRET PER ASME Y14.5M-1994 AND EMERSON CLIMATE TECHNOLOGIES, INC. DESIGN STANDARDS DS2002 DO NOT SCALE DRAWING

CRITICAL PRODUCT CHARACTERISTIC

THIRD ANGLE PROJECTION

UNLESS OTHERWISE SPECIFIED DIMENSIONS ARE MILLIMETER OR (INCH)

TOLERANCES:
1-PLACE \pm
2-PLACE \pm
ANGULAR \pm

24 THIS DRAWING AND INFORMATION CONTAINED HEREIN ARE THE EXCLUSIVE PROPERTY OF EMERSON CLIMATE TECHNOLOGIES, INC. AND SHALL BE RETURNED UPON DEMAND AND SHALL NOT BE REPRODUCED IN WHOLE OR IN PART. DISCLOSED TO ANYONE ELSE OR USED, WITHOUT THE WRITTEN CONSENT OF EMERSON CLIMATE TECHNOLOGIES, INC.

MATERIAL SPECIFICATION: NA

DATE: 04-26-10

SCALE: 3:4

DATE FORMAT: MM-DD-YY

TITLE: REF DWG-WELD COMP ASSM

DRAWING NUMBER: 497-2868-00

SHEET 1 OF 1

UNCONTROLLED - DO NOT MODIFY