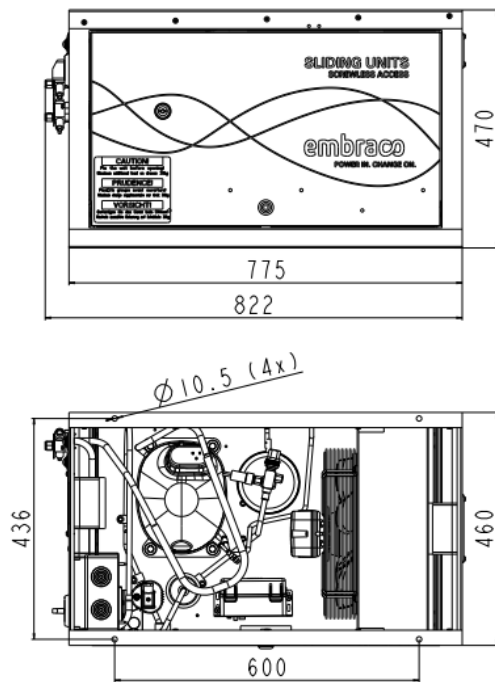


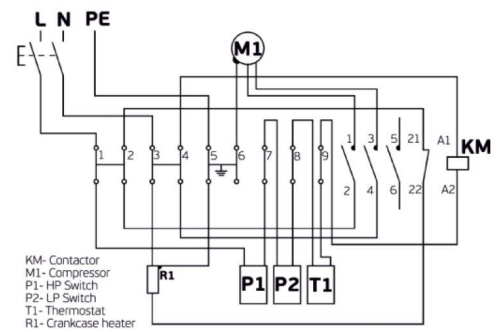
GENERAL DATA

Application:	M/HBP
Refrigerant:	R134a
Expansion Device:	C-V
Weight:	82 kg
Receiver:	2.3 liter
Voltage/Frequency:	220 - 240 V 50 ~
Height:	82 mm
Length:	822 mm
Width:	460 mm
Institute Approvals:	CE

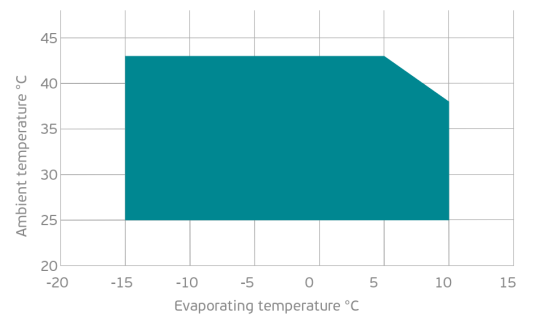
EXTERNAL DIMENSIONS



WIRING DIAGRAM



OPERATING ENVELOPE



COMPONENTS (SPARE PARTS)

compressor:	NJ6226Z	142HA13..AC	condenser:	3R14T	2451221
fankit:	S4E300-XX	1996589	elkit:	ELECTRICAL BOX/PROTECTOR	1996557/2289022
valve_suca:	SOLDER 1/2"	2110118	valve_disch:	SOLDER 3/8"	2110119
dryer:	FILTER DRYER 10MM ODF	2730010	sightglass:	SIGHT GLASS 10MM ODF	2464040
hpressostat:	P100CP-102D	2466033	lpressostat:	PS1-A3K	2466036
heater:	CRANKCASE HEATER 230V/55W	2464141	flexihose:	FLEXI HOSE 12MM ODF	2464244

For additional accessories please contact our technical support

ELECTRICAL DATA

Motor Type:	CSR -
Locked Rotor Amperage (LRA):	31 A
Max.Current:	5.6 A

At maximum evaporating temperature and maximum ambient temperature.

FAN MOTOR

Number:	1 -
Shaft Power:	95 W
Air Flow:	1450 m ³ /h
Blade Diameter:	- mm

PERFORMANCE CURVE DATA

Standard: EN13215-RG20 / return gas 20°C, subcooling 3K

50 Hz

	Evaporating Temperature (°C)	Cooling Capacity (W)	Power Consumption (W)	Current Consumption (A)	Efficiency (W/W)
25 °C Ambient Temperature	10°C	3 175	1 409	6.55	2.25
	5°C	2 763	1 257	6.23	2.20
	0°C	2 376	1 119	5.94	2.12
	-5°C	2 013	995	5.69	2.02
	Rated point -10°C	1 673	882	5.47	1.90
	-15°C	1 355	782	5.30	1.73
32 °C Ambient Temperature	10°C	2 941	1 458	7.31	2.02
	5°C	2 548	1 297	6.95	1.96
	0°C	2 181	1 150	6.62	1.90
	-5°C	1 840	1 019	6.32	1.81
	Rated point -10°C	1 524	902	6.05	1.69
	-15°C	1 230	799	5.83	1.54
43 °C Ambient Temperature	5°C	2 201	1 354	7.02	1.63
	0°C	1 861	1 192	6.69	1.56
	-5°C	1 548	1 048	6.39	1.48
	Rated point -10°C	1 263	921	6.13	1.37
	-15°C	1 002	810	5.91	1.24