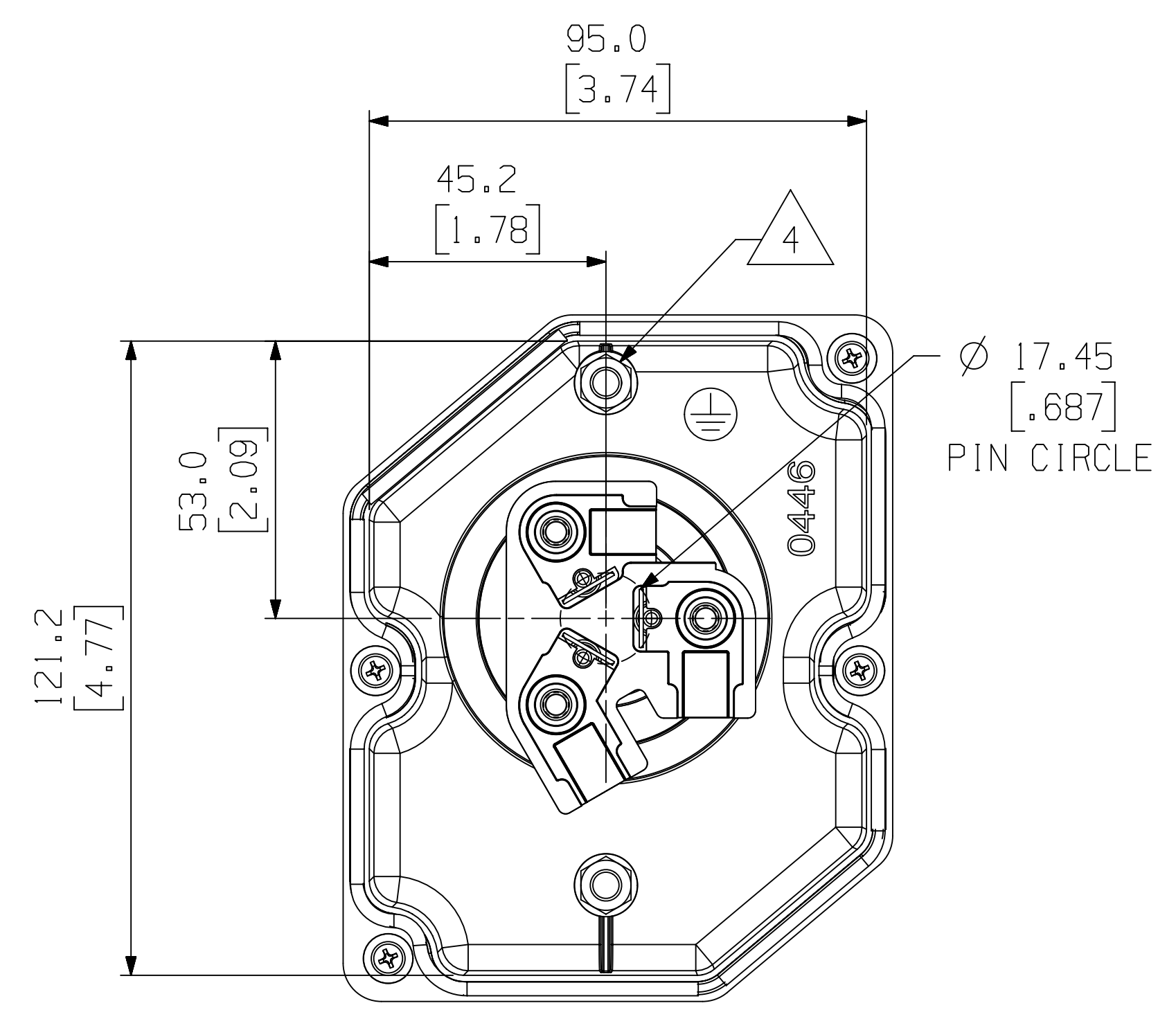
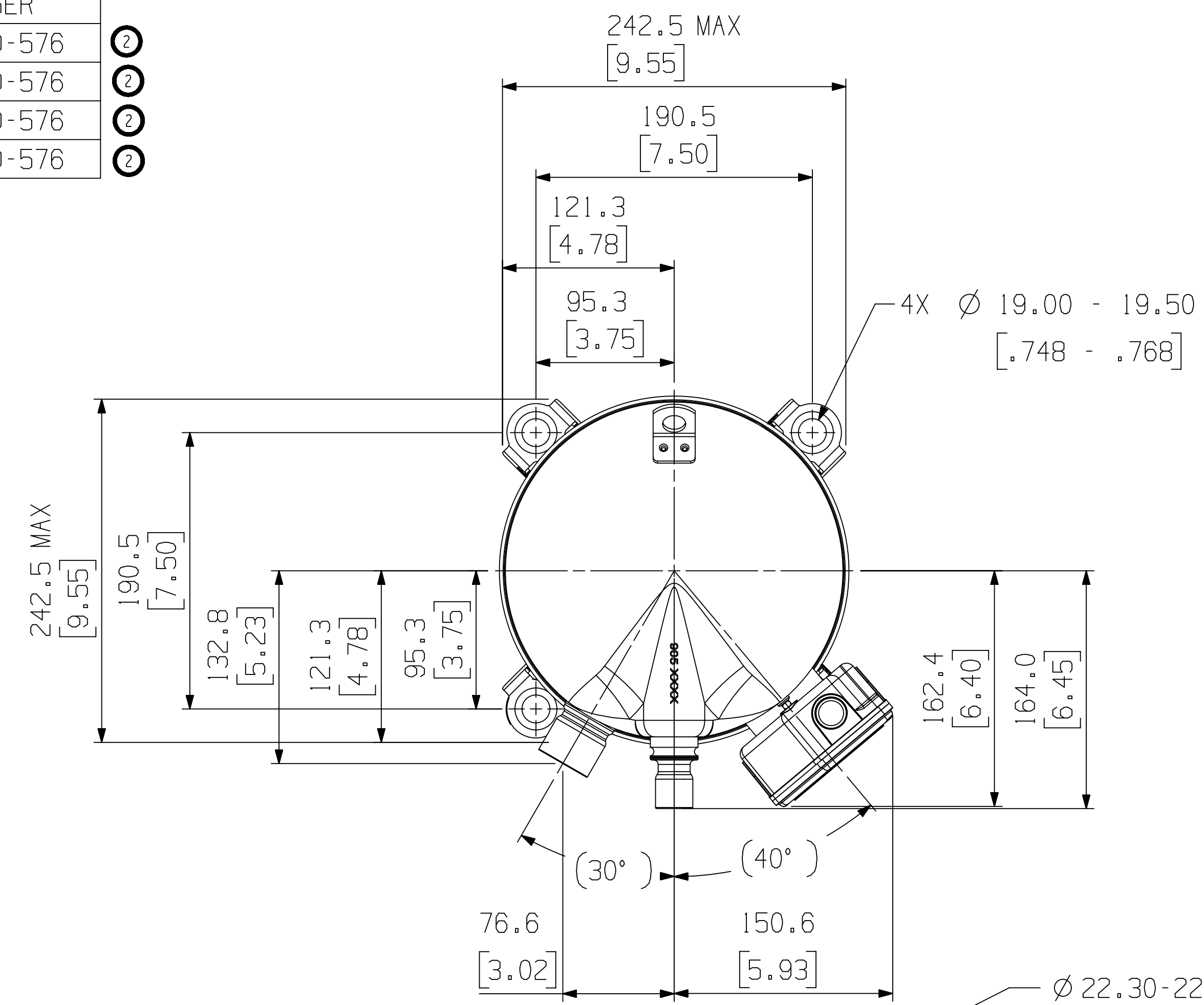


MODEL NUMBER
ZP103KCE-TFD-576
ZP120KCE-TFD-576
ZP137KCE-TFD-576
ZP144KCE-TFD-576

SPECIFICATIONS	
ES NO.	DESCRIPTION
ES92-155	CONVERSION-METRIC

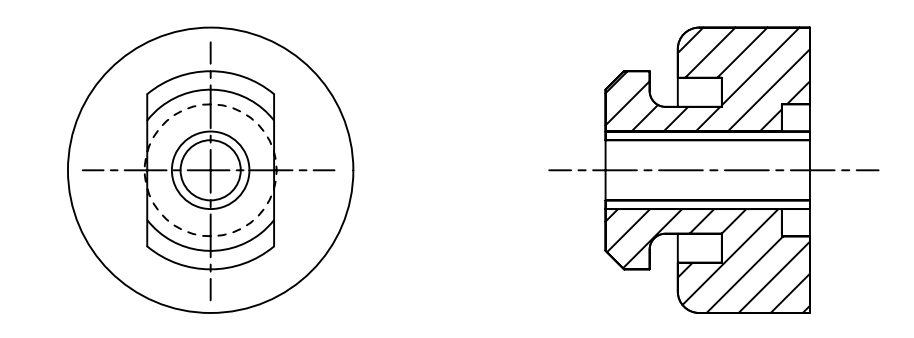


SCALE 1:1  
T-BOX LAYOUT STANDARD

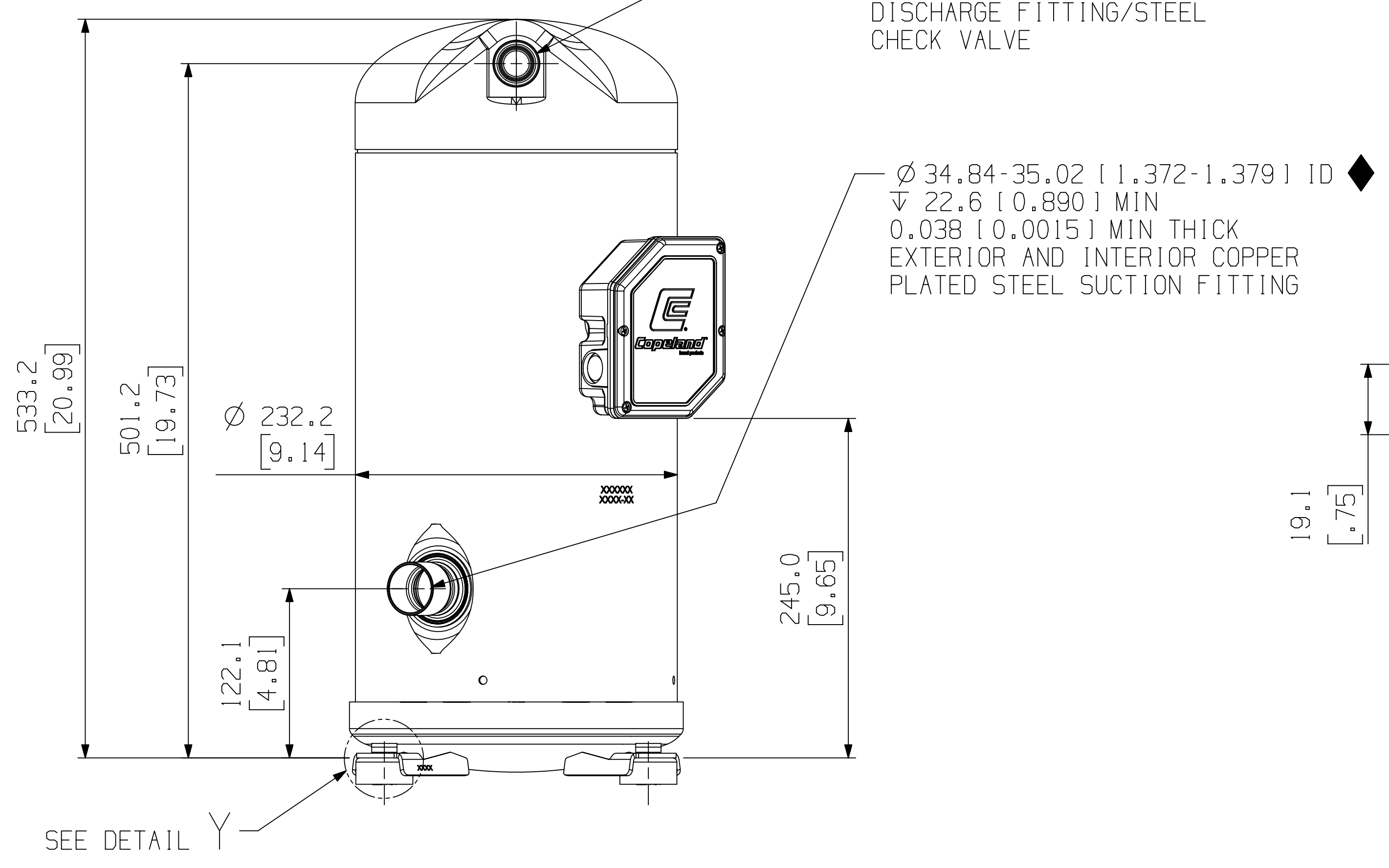
NOTES:  
 1 ALL TOLERANCES ± 1.5 [0.06] UNLESS OTHERWISE SPECIFIED. DUE TO ACCUMULATED ASSEMBLY TOLERANCES THE LISTED COMPONENTS MAY VARY FROM THE MOUNTING HOLES AS TABULATED.

- ◆ SUCTION FITTING: ± 3.0 [0.12]
- ◆ DISCHARGE FITTING: ± 3.0 [0.12]
- 2. MOUNTING KIT: 527-0116-00
- 3. TUBE ENDS MUST BE PLUGGED.

GROMMET DUROMETER	4 FOOT KIT
35-45	527-0116-00

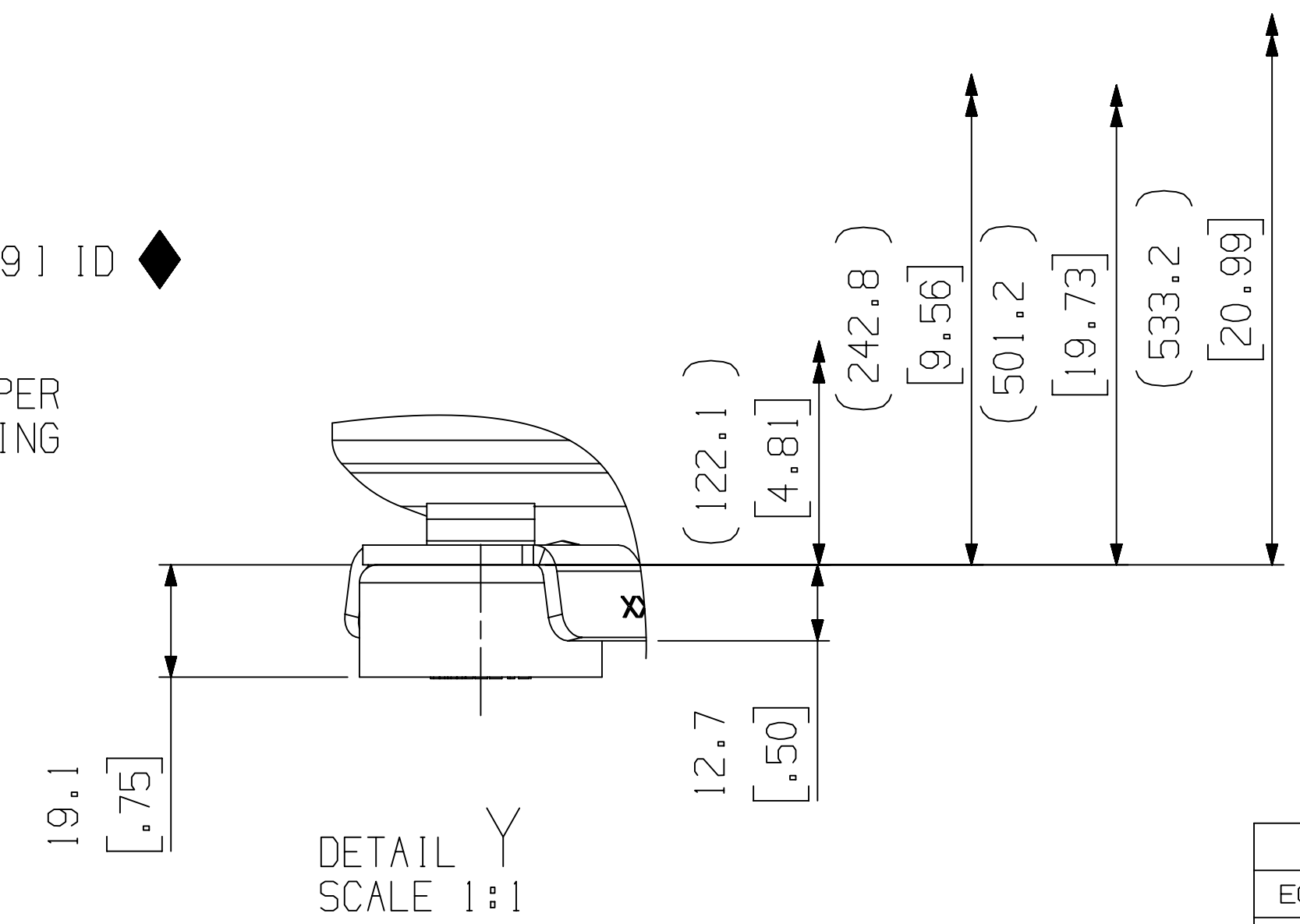


4 GROUNDING SCREW AND WASHER PER BOM



Ø 22.30-22.42 [0.878-0.883] ID  
 ∇ 20.0 [0.787] MIN.  
 0.038 [0.0015] MIN. THICK EXTERIOR AND INTERIOR COPPER PLATED DISCHARGE FITTING/STEEL CHECK VALVE

Ø 34.84-35.02 [1.372-1.379] ID  
 ∇ 22.6 [0.890] MIN  
 0.038 [0.0015] MIN THICK EXTERIOR AND INTERIOR COPPER PLATED STEEL SUCTION FITTING



DETAIL Y  
SCALE 1:1

COMPRESSOR WIRING DIAGRAM  
THREE PHASE MOTOR WITH INTERNAL PROTECTION

USE COPPER CONDUCTORS ONLY. USE THIS EQUIPMENT ON A GROUNDED SYSTEM ONLY. USE MINIMUM 75° C WIRE FOR AMPACITY. DETERMINATION. INTERNAL MOTOR PROTECTION-ALLOW TIME FOR RESET. PRIMARY SINGLE PHASE FAILURE PROTECTION IS PROVIDED. CRANKCASE HEATER, WHEN APPLIED, MUST BE CONNECTED ONLY TO ITS RATED VOLTAGE. OVERCURRENT PROTECTION DEVICE RATING AND TYPE MUST BE IN ACCORDANCE WITH REGULATORY AGENCY END PRODUCT APPROVALS - SEE SYSTEM NAMEPLATE. TO CORRECT IMPROPER MOTOR ROTATION, SWITCH ANY TWO SUPPLY LINES.

MOTOR WINDING CONNECTION

ENG NOTICE NO.	REV.NO.	REVISIONS	DATE	BY	CHKD	APPR
ECN308270	2	UPDATED MODEL NUMBER	07-27-18	SZ	ZH	AW
ECN200213	1	CHANGE CONNECTOR BLOCK	08-22-16	AZ	LG	AW
ECN200213	0	RELEASED	04-07-16	AZ	LG	AW

CONFIDENTIALITY NOTICE			
15	THIS DRAWING AND INFORMATION CONTAINED HEREIN ARE THE EXCLUSIVE PROPERTY OF EMERSON CLIMATE TECHNOLOGIES, INC. AND SHALL BE RETURNED UPON DEMAND AND SHALL NOT BE REPRODUCED IN WHOLE OR IN PART DISCLOSED TO ANYONE ELSE OR USED, WITHOUT THE WRITTEN CONSENT OF EMERSON CLIMATE TECHNOLOGIES, INC.		
MATERIAL SPECIFICATION	DRAWN BY	SUPERSEDES DWG. NO. / REV. NO.	
N/A	AZ	497-0676-00/005	
	DATE	SCALE	DATE FORMAT:
	04-07-16	3:8	MM-DD-YY
TITLE	DRAWING NUMBER	SHEET 1 OF 1	
REF DWG-WELD COMP ASSM	497-1942-00	4	
		SIZE	

INTERPRET PER ASME Y14.5M-1994 AND EMERSON CLIMATE TECHNOLOGIES, INC. DESIGN STANDARDS DS2002  
 DO NOT SCALE DRAWING  
 THIRD ANGLE PROJECTION  
 CRITICAL PRODUCT CHARACTERISTICS  
 UNLESS OTHERWISE SPECIFIED DIMENSIONS ARE MILLIMETER OR (INCH)  
 TOLERANCES:  
 1-PLACE ± N/A  
 2-PLACE ± N/A  
 ANGULAR ± N/A