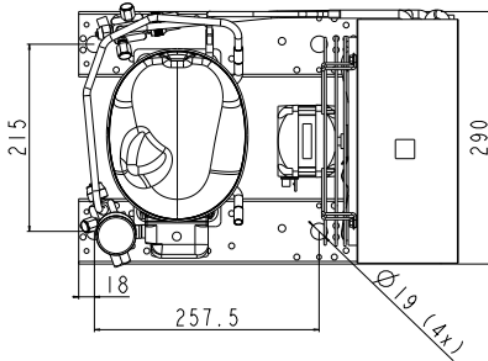
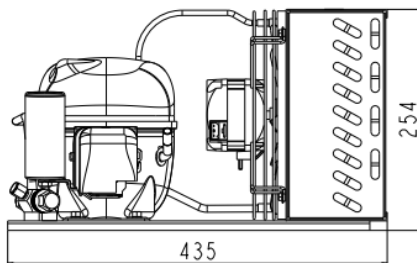


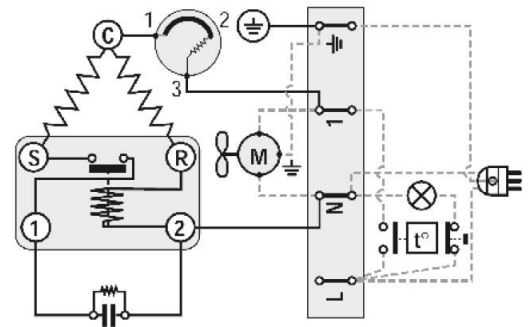
### GENERAL DATA

<b>Application:</b>	M/HBP
<b>Refrigerant:</b>	R404A
<b>Expansion Device:</b>	C-V
<b>Weight:</b>	17.8 kg
<b>Receiver:</b>	0 liter
<b>Voltage/Frequency:</b>	220 - 240 V 50 ~
<b>Height:</b>	17.8 mm
<b>Length:</b>	435 mm
<b>Width:</b>	290 mm
<b>Institute Approvals:</b>	<b>CE</b>

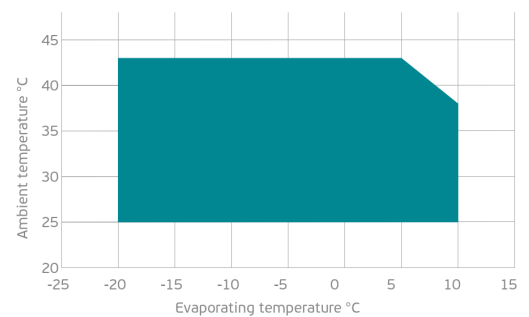
### EXTERNAL DIMENSIONS



### WIRING DIAGRAM



### OPERATING ENVELOPE



### COMPONENTS (SPARE PARTS)

<b>valve_suca:</b>	FLARE 3/8"	2110024
<b>condenser:</b>	3R9T	2451205
<b>compressor:</b>	NEK6144GK	957GA70..AN

<b>valve_disch:</b>	FLARE 1/4"	2110025
<b>fankit:</b>	10W 230/31/5B	1996699
<b>elkit:</b>	ELKOM NEK6144GK	957GA50N1A

For additional accessories please contact our technical support

**ELECTRICAL DATA**

Motor Type:	CSIR -
Locked Rotor Amperage (LRA):	9.6 A
Max.Current:	2.2 A

At maximum evaporating temperature and maximum ambient temperature.

**FAN MOTOR**

Number:	1 -
Shaft Power:	10 W
Air Flow:	300 m <sup>3</sup> /h
Blade Diameter:	230 mm

**PERFORMANCE CURVE DATA**

Standard: EN13215-RG20 / return gas 20°C, subcooling 3K

50 Hz

	Evaporating Temperature (°C)	Cooling Capacity (W)	Power Consumption (W)	Current Consumption (A)	Efficiency (W/W)
25 °C Ambient Temperature	10°C	877	335	1.95	2.62
	5°C	770	313	1.86	2.46
	0°C	666	292	1.78	2.28
	-5°C	567	273	1.71	2.08
	Rated point -10°C	478	254	1.64	1.88
	-15°C	401	235	1.57	1.71
	-20°C	341	216	1.51	1.58
32 °C Ambient Temperature	10°C	799	346	2.01	2.31
	5°C	700	323	1.92	2.17
	0°C	604	301	1.84	2.01
	-5°C	513	281	1.76	1.83
	Rated point -10°C	432	261	1.69	1.65
	-15°C	364	242	1.62	1.50
	-20°C	312	223	1.56	1.40
43 °C Ambient Temperature	5°C	598	343	2.04	1.74
	0°C	509	320	1.95	1.59
	-5°C	426	298	1.87	1.43
	Rated point -10°C	352	277	1.79	1.27
	-15°C	291	257	1.72	1.13
	-20°C	247	236	1.65	1.04