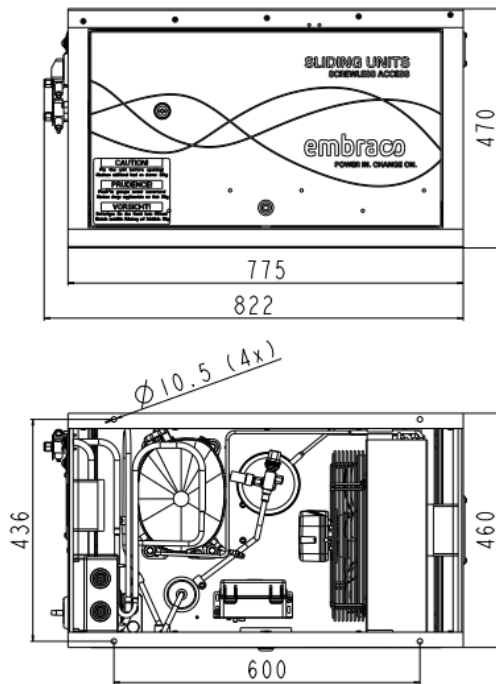


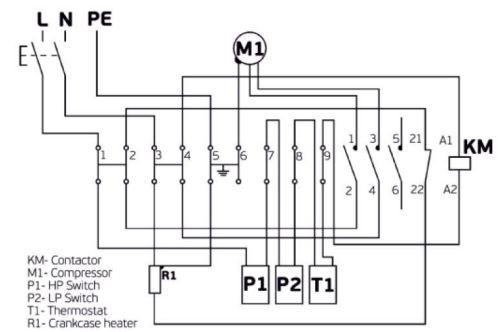
### GENERAL DATA

<b>Application:</b>	LBP
<b>Refrigerant:</b>	R404A
<b>Expansion Device:</b>	C-V
<b>Weight:</b>	67 kg
<b>Receiver:</b>	2.3 liter
<b>Voltage/Frequency:</b>	220 - 240 V 50 ~
<b>Height:</b>	67 mm
<b>Length:</b>	822 mm
<b>Width:</b>	460 mm
<b>Institute Approvals:</b>	<b>CE</b>

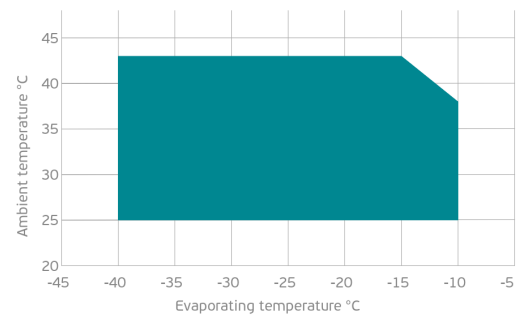
### EXTERNAL DIMENSIONS



### WIRING DIAGRAM



### OPERATING ENVELOPE



### COMPONENTS (SPARE PARTS)

<b>condenser:</b>	3R14T	2451221
<b>valve_suca:</b>	SOLDER 1/2"	2110118
<b>dryer:</b>	FILTER DRYER 10MM ODF	2730010
<b>lpressostat:</b>	PS1-A3K	2466036
<b>heater:</b>	CRANKCASE HEATER 230V/40W	2464205
<b>compressor:</b>	NT2212GK	925DA02..AC

<b>fankit:</b>	S4E300-XX	1996589
<b>valve_disch:</b>	SOLDER 3/8"	2110119
<b>sightglass:</b>	SIGHT GLASS 10MM ODF	2464040
<b>hpressostat:</b>	P100CP-106D	2466034
<b>flexihose:</b>	FLEXI HOSE 10MM ODF	2464241
<b>elkit:</b>	ELECTRICAL BOX	1996564

For additional accessories please contact our technical support

**ELECTRICAL DATA**

**Motor Type:** CSR -  
**Locked Rotor Amperage (LRA):** 33 A  
**Max.Current:** 7.04 A

At maximum evaporating temperature and maximum ambient temperature.

**FAN MOTOR**

**Number:** 1 -  
**Shaft Power:** 95 W  
**Air Flow:** 1450 m<sup>3</sup>/h  
**Blade Diameter:** - mm

**PERFORMANCE CURVE DATA**

Standard: EN13215-RG20 / return gas 20°C, subcooling 3K

50 Hz

	Evaporating Temperature (°C)	Cooling Capacity (W)	Power Consumption (W)	Current Consumption (A)	Efficiency (W/W)
<b>25 °C</b> Ambient Temperature	-10°C	2 035	1 307	6.34	1.56
	-15°C	1 742	1 156	5.65	1.51
	-20°C	1 470	1 019	5.04	1.44
	-25°C	1 221	896	4.50	1.36
	-30°C	993	786	4.03	1.26
	Rated point -35°C	786	688	3.63	1.14
	-40°C	600	604	3.29	0.99
<b>32 °C</b> Ambient Temperature	-10°C	1 851	1 348	6.54	1.37
	-15°C	1 583	1 191	5.82	1.33
	-20°C	1 335	1 049	5.19	1.27
	-25°C	1 108	922	4.63	1.20
	-30°C	902	809	4.15	1.11
	Rated point -35°C	716	711	3.75	1.01
	-40°C	550	627	3.41	0.88
<b>43 °C</b> Ambient Temperature	-15°C	1 353	1 270	6.21	1.07
	-20°C	1 138	1 115	5.52	1.02
	-25°C	942	978	4.91	0.96
	-30°C	766	857	4.40	0.89
	Rated point -35°C	608	753	3.97	0.81
	-40°C	469	665	3.62	0.70