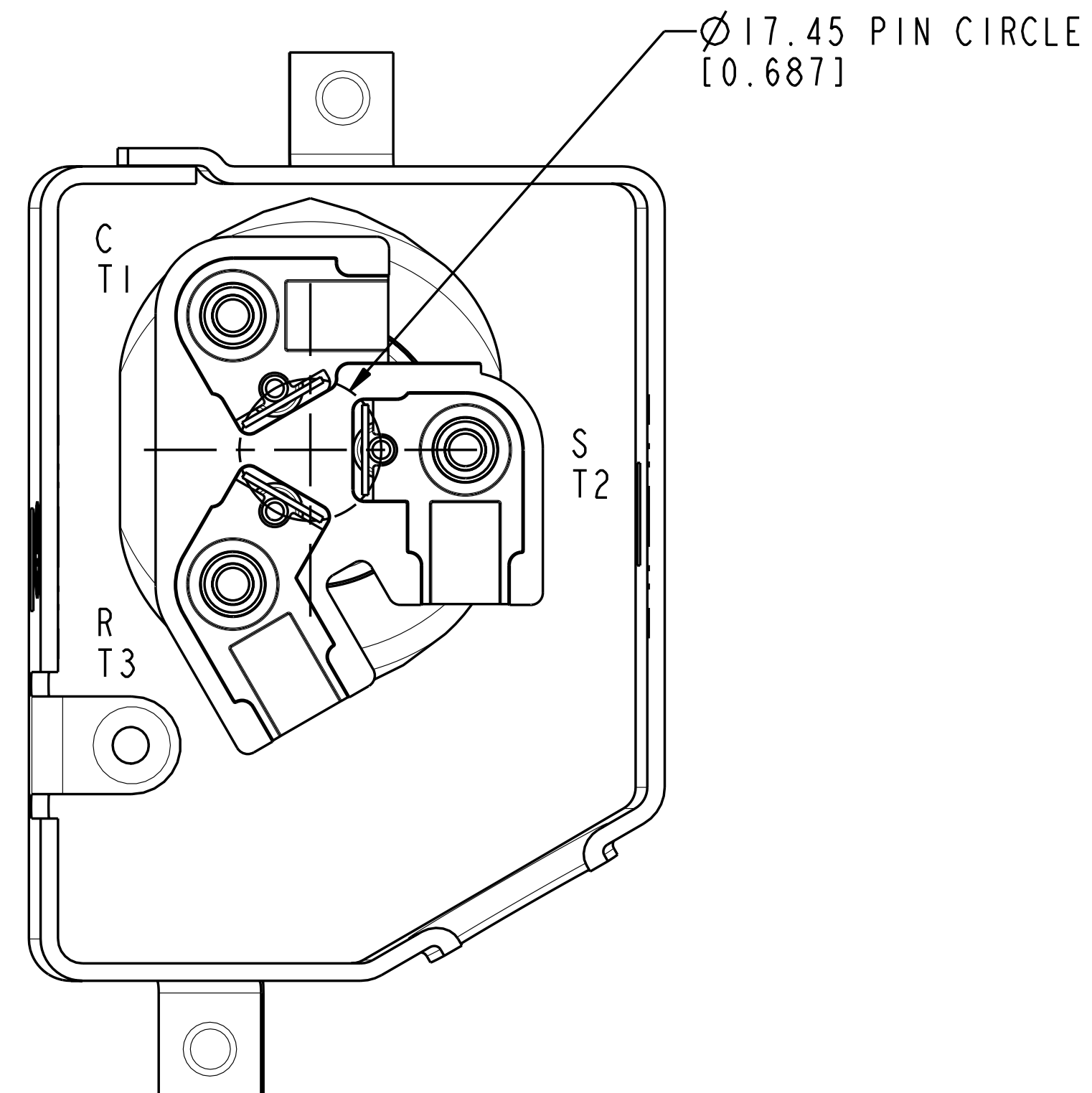
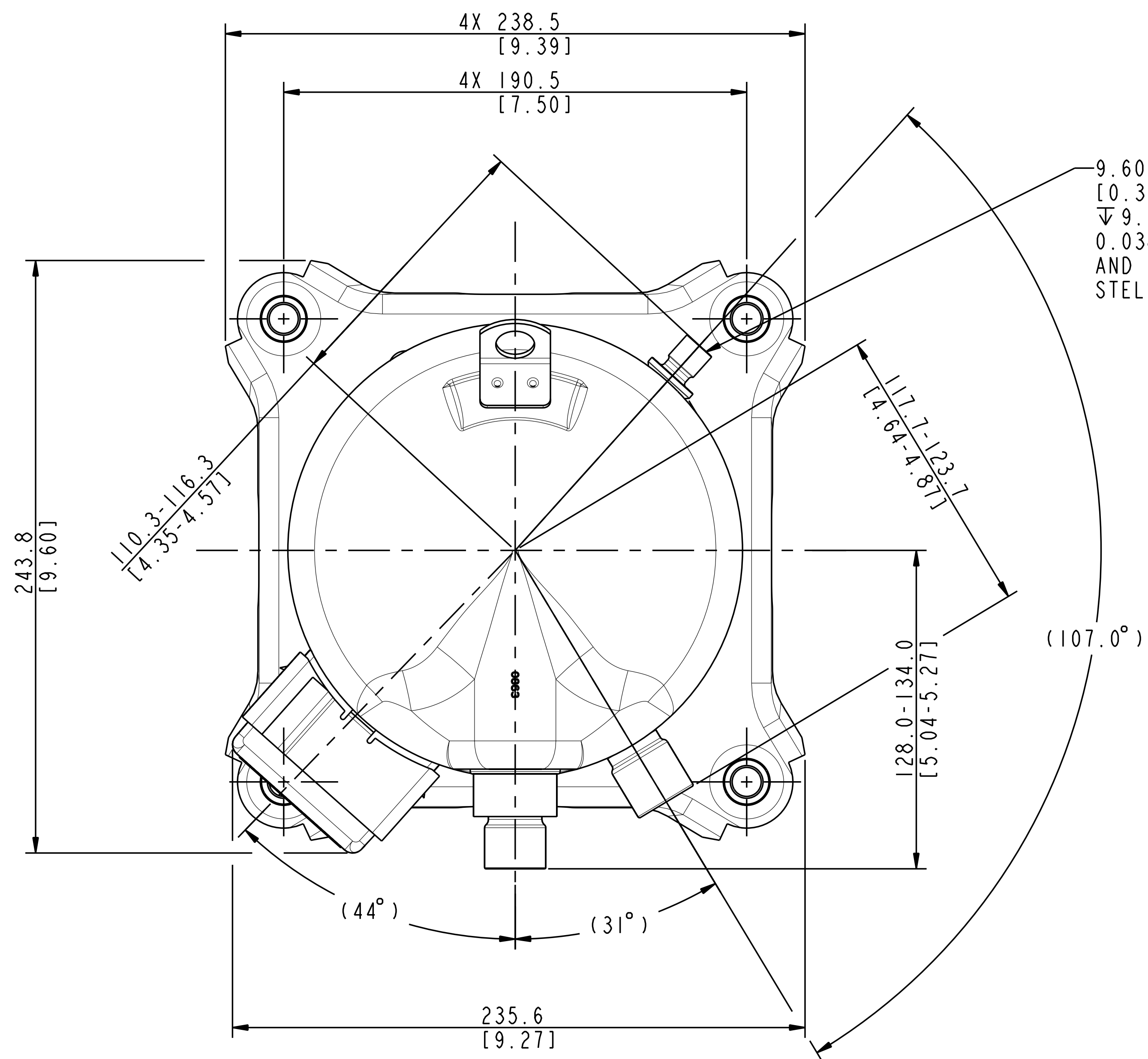


SPECIFICATIONS	
ES NO.	DESCRIPTION
ES92-155	CONVERSION-METRIC

**MODEL NUMBER**  
ZH19KIP-TFM-424



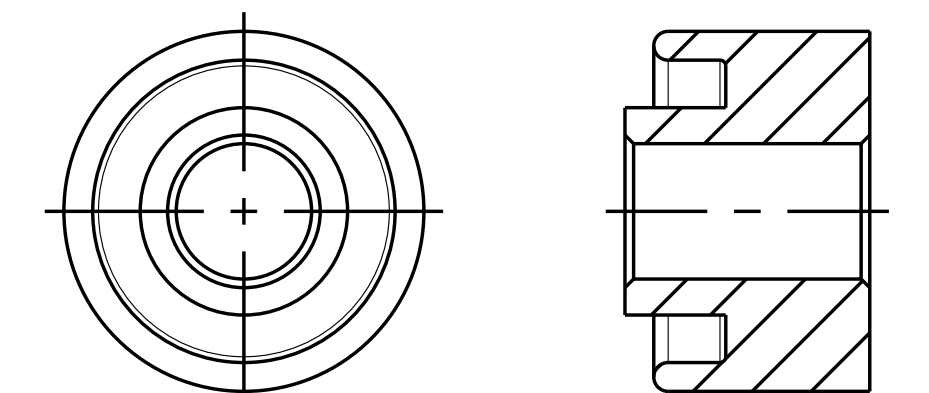
T BOX LAYOUT  
SCALE 3:2

NOTES:  
1. ALL TOLERANCES ±1.50 [0.060] UNLESS OTHERWISE SPECIFIED.  
DUE TO ACCUMULATED ASSEMBLY TOLERANCES THE LISTED COMPONENTS MAY VARY FROM THE MOUNTING HOLES AS SHOWN BELOW:

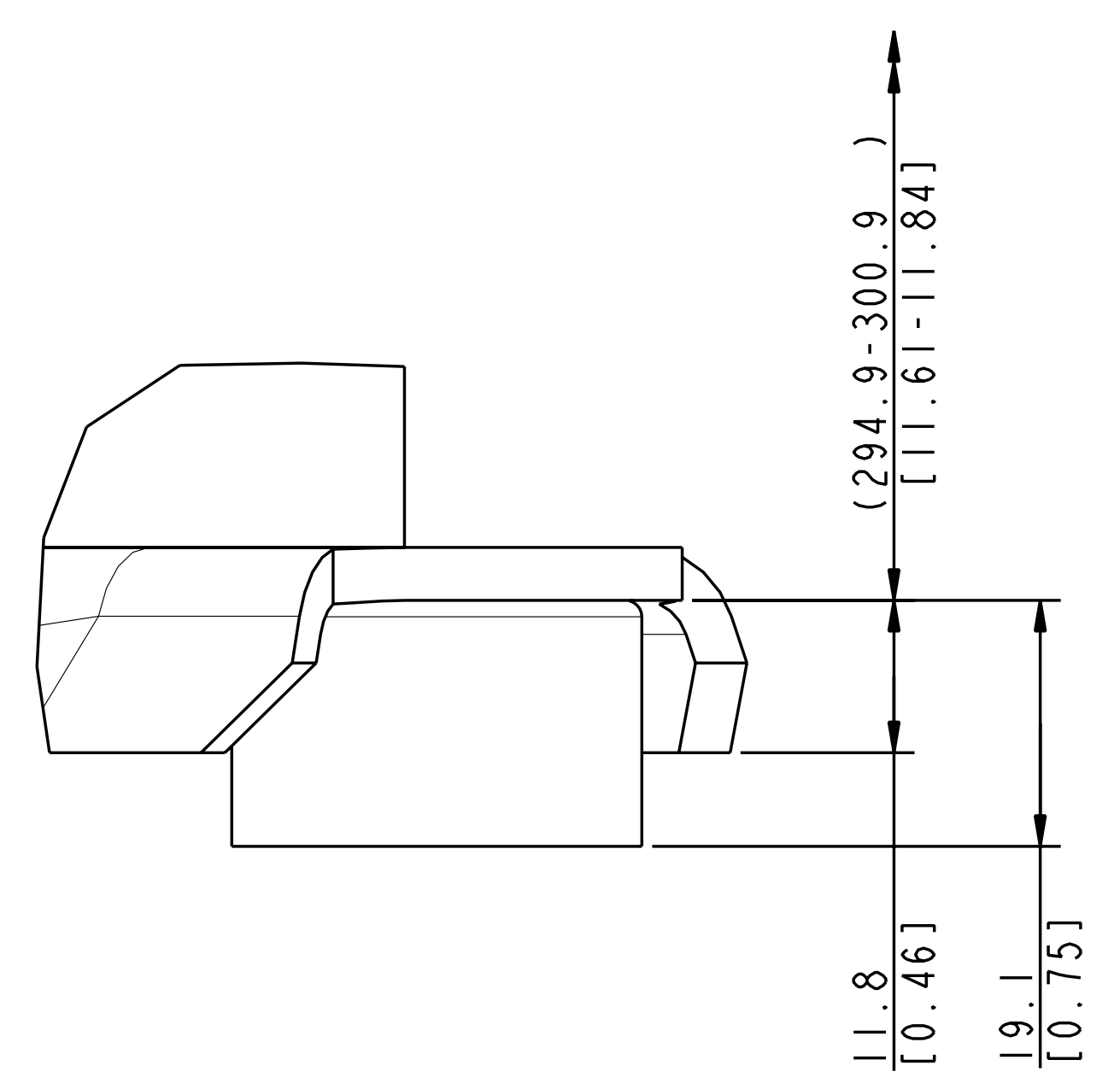
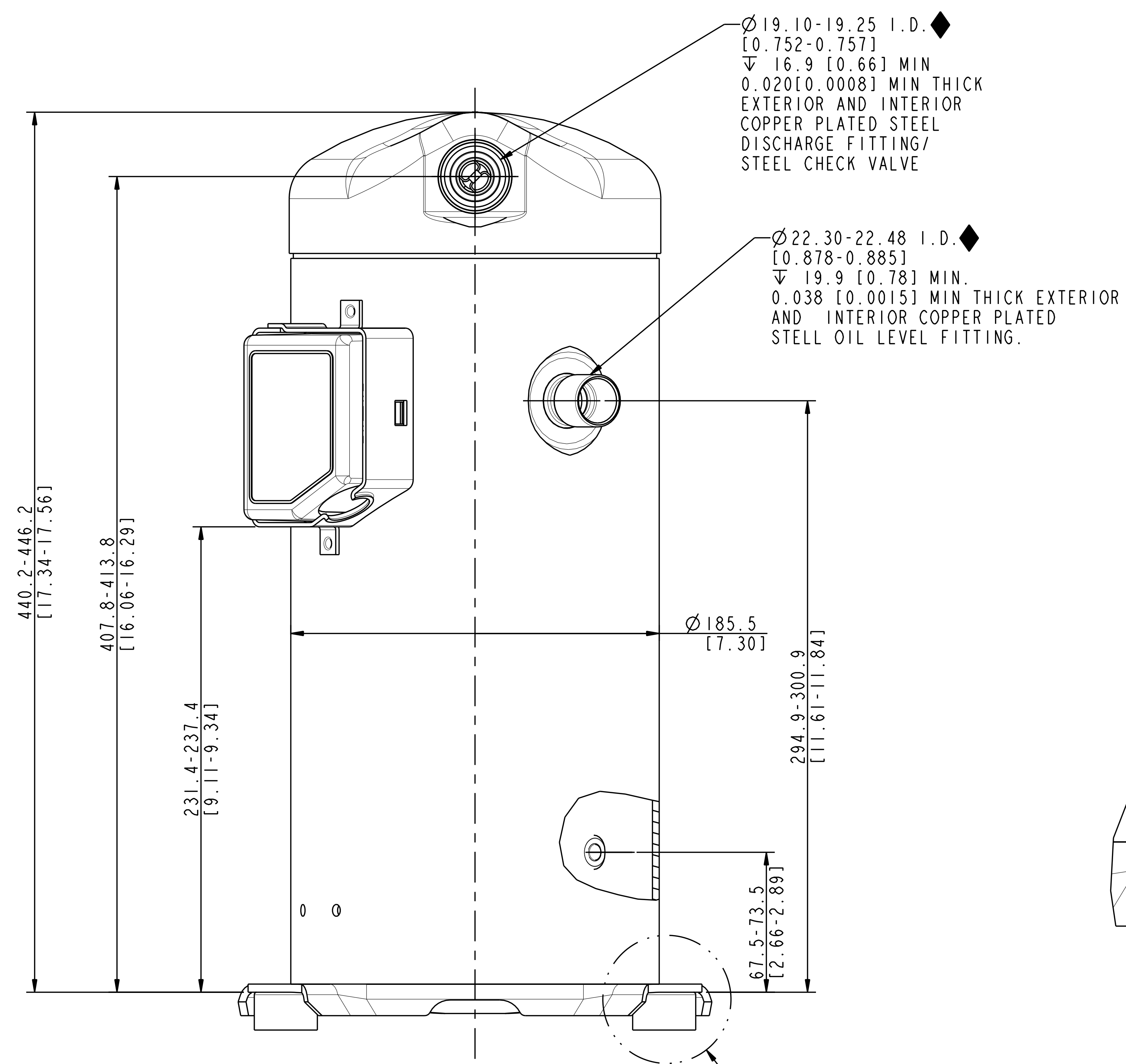
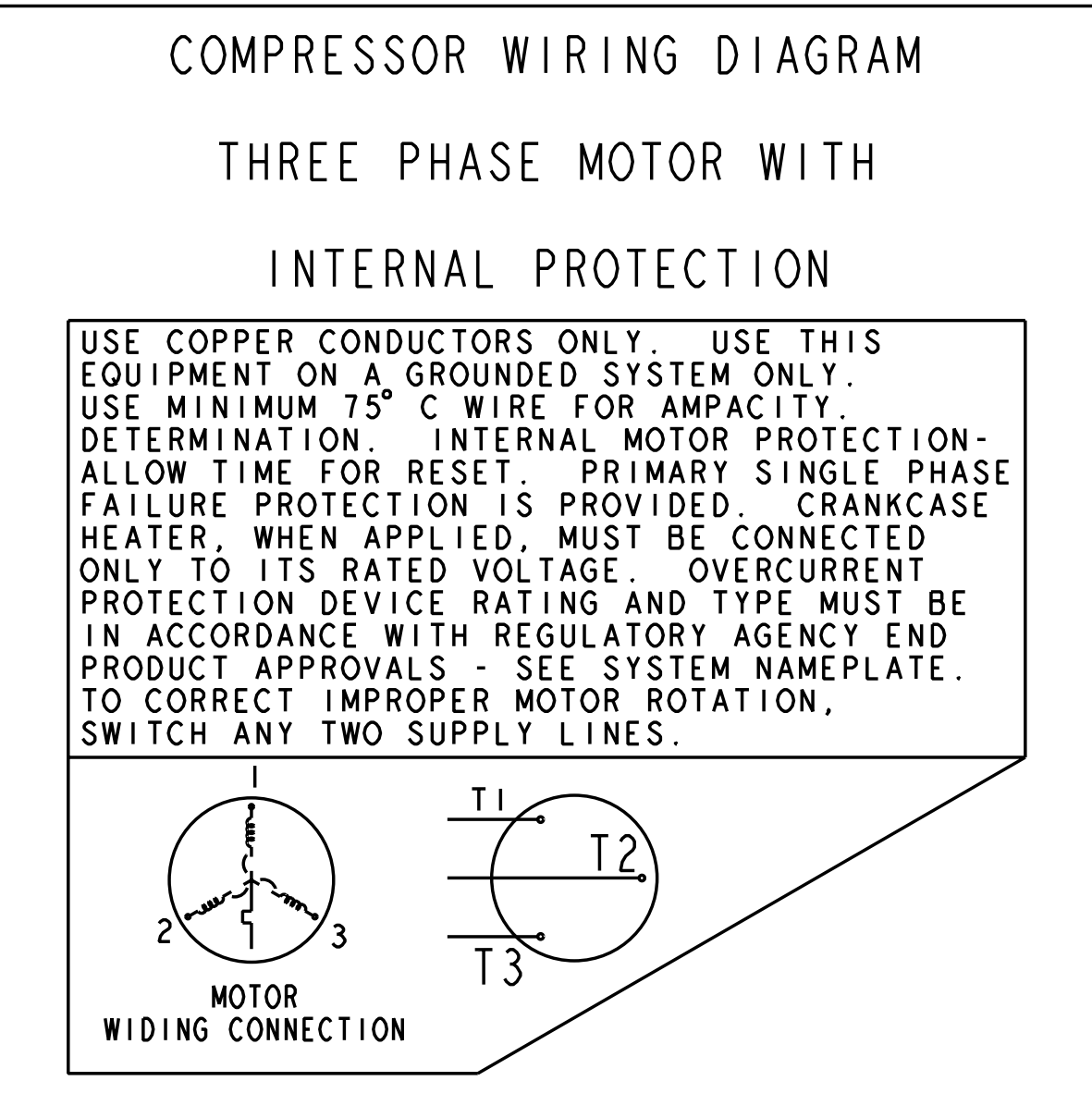
ALL FITTINGS : ±3.0 [0.12]

2. MOUNTING KIT.

GROMMET DUROMETER	4 FOOT KIT
STELL	527-0181-00

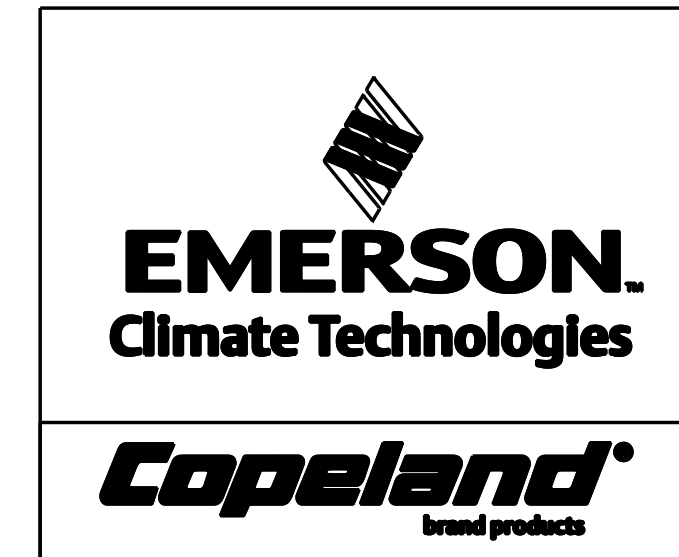


3. TUBE ENDS MUST BE PLUGGED.



DETAIL F  
SCALE 2:1

SEE DETAIL F



INTERPRET PER ASME Y14.5M-1994 AND EMERSON CLIMATE TECHNOLOGIES, INC. DESIGN STANDARDS DS2002 DO NOT SCALE DRAWING

THIRD ANGLE PROJECTION

CRITICAL PRODUCT CHARACTERISTIC

UNLESS OTHERWISE SPECIFIED DIMENSIONS ARE MILLIMETER OR (INCH)

TOLERANCES:  
1-PLACE ±  
2-PLACE ±  
ANGULAR ± 0.5°

ECN007197	0	RELEASED	09-02-13	AW	JC	VC
ENG NOTICE NO.	REV. NO.	REVISIONS	DATE	BY	CHKD	APPR
CONFIDENTIALITY NOTICE						
THIS DRAWING AND INFORMATION CONTAINED HEREIN ARE THE EXCLUSIVE PROPERTY OF EMERSON CLIMATE TECHNOLOGIES, INC. AND SHALL BE RETURNED UPON DEMAND AND SHALL NOT BE REPRODUCED IN WHOLE OR IN PART, DISCLOSED TO ANYONE ELSE OR USED, WITHOUT THE WRITTEN CONSENT OF EMERSON CLIMATE TECHNOLOGIES, INC.						
MATERIAL SPECIFICATION			DRAWN BY / SUPERSEDES DWG. NO. / REV. NO.			
N/A			AW / DATE / DATE FORMAT			
N/A			09-02-13 / 3:4 / MM-DD-YY			
TITLE			DRAWING NUMBER / SHEET 1 OF 1 / DWG SIZE			
REF DWG-WELD COMP ASSM			497-0980-01 / 5			