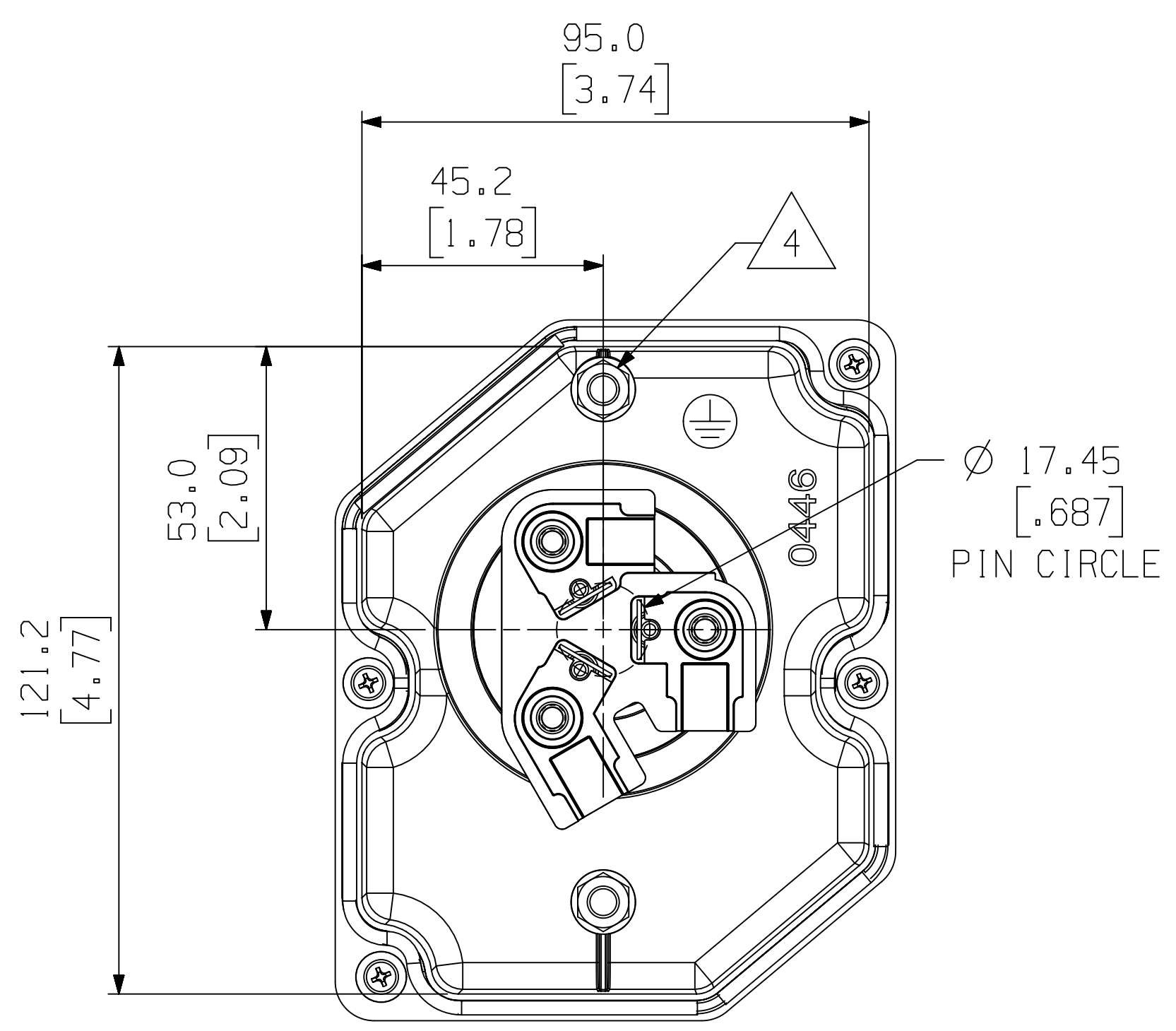
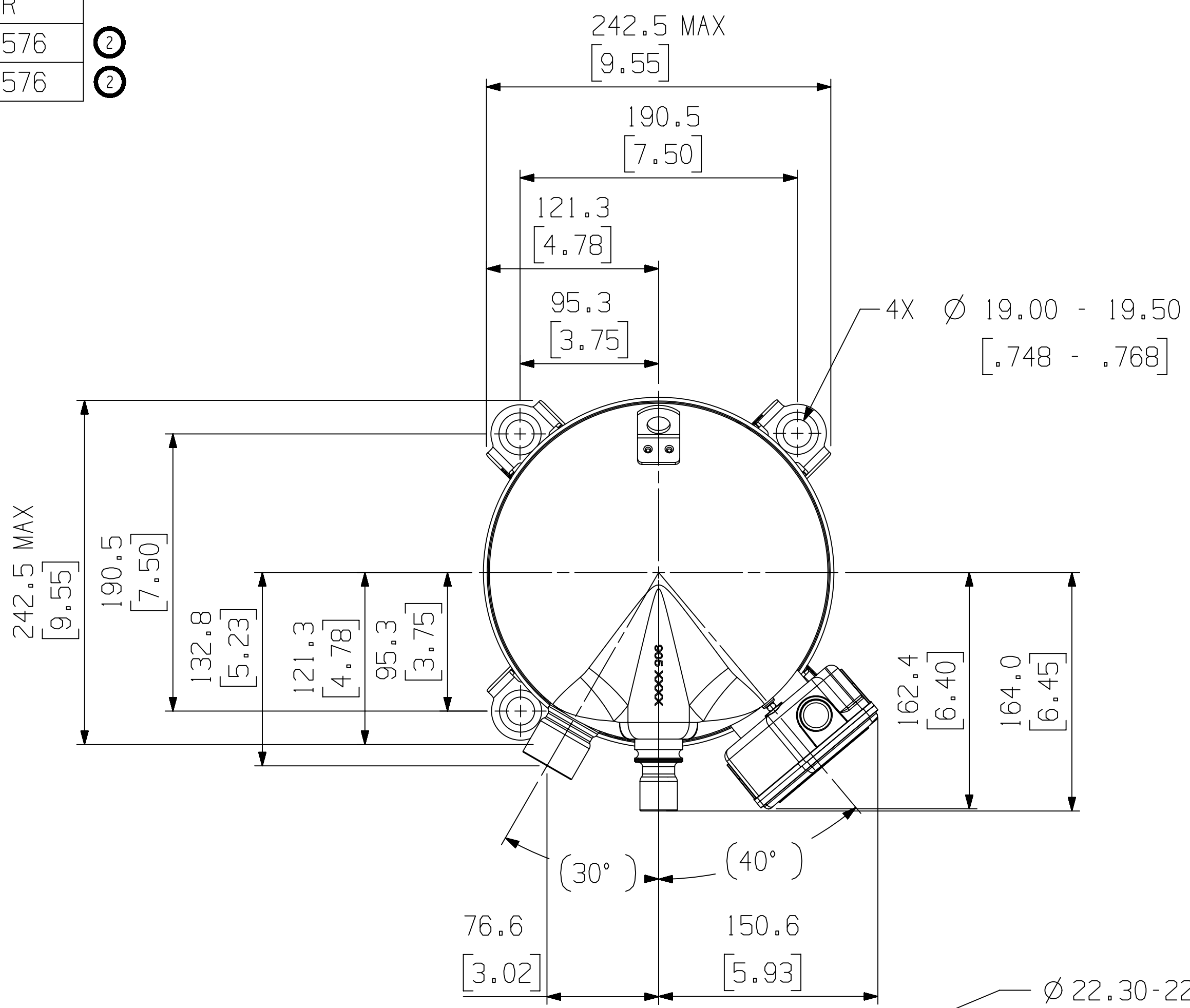


MODEL NUMBER
ZP154KCE-TFD-576
ZP182KCE-TFD-576

SPECIFICATIONS	
ES NO.	DESCRIPTION
ES92-155	CONVERSION-METRIC

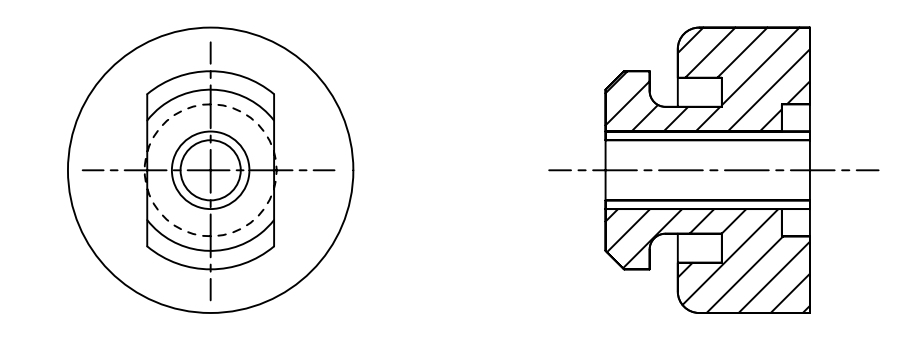


SCALE 1:1
T-BOX LAYOUT STANDARD

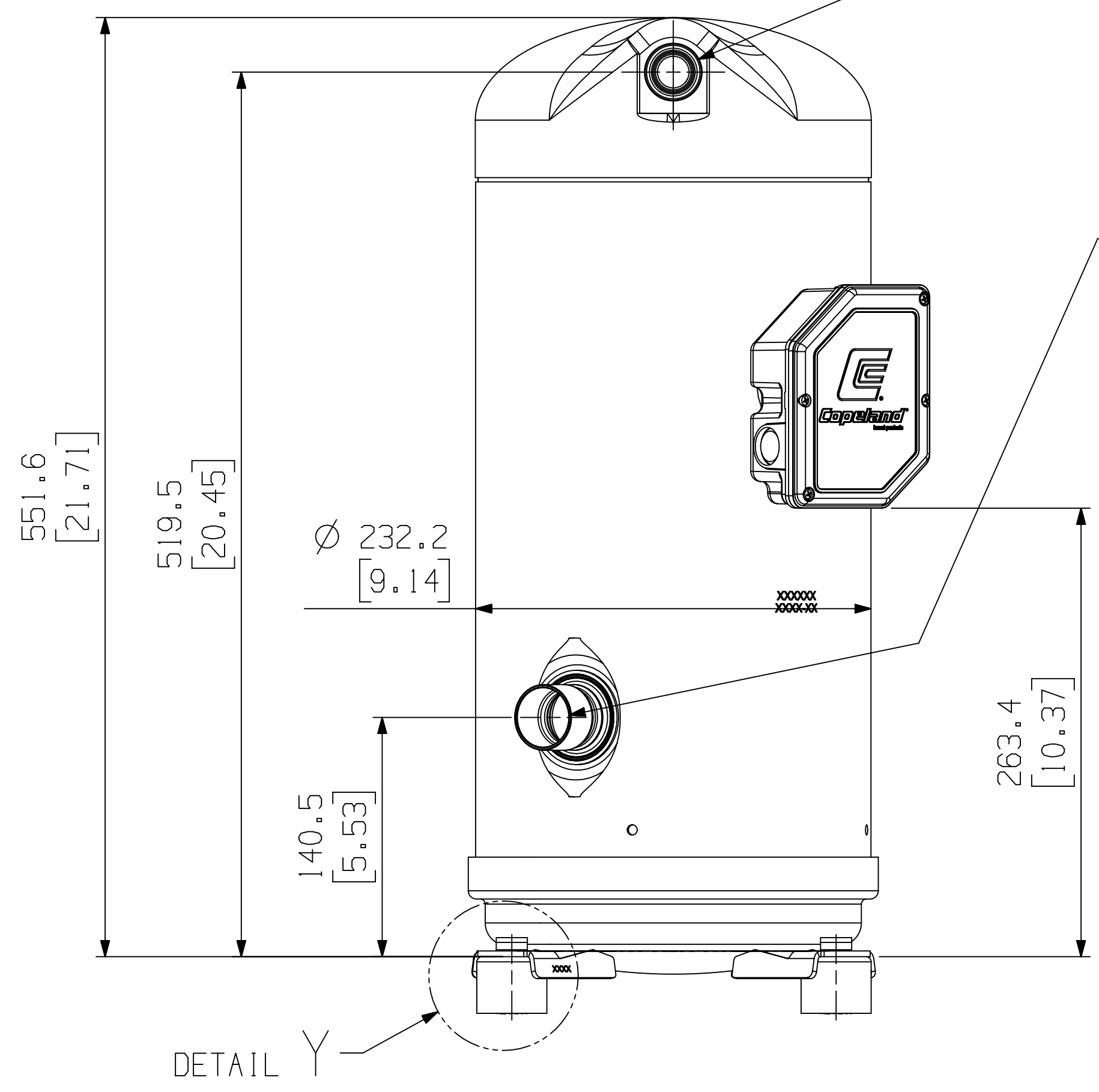
NOTES:
 1 ALL TOLERANCES ± 1.5 [0.06] UNLESS OTHERWISE SPECIFIED. DUE TO ACCUMULATED ASSEMBLY TOLERANCES THE LISTED COMPONENTS MAY VARY FROM THE MOUNTING HOLES AS TABULATED.

- ◆ SUCTION FITTING: ± 3.0 [0.12]
- ◆ DISCHARGE FITTING: ± 3.0 [0.12]
- 2. MOUNTING KIT: 527-0210-00
- 3. TUBE ENDS MUST BE PLUGGED.

GROMMET DUROMETER	4 FOOT KIT
55-65	527-0210-00

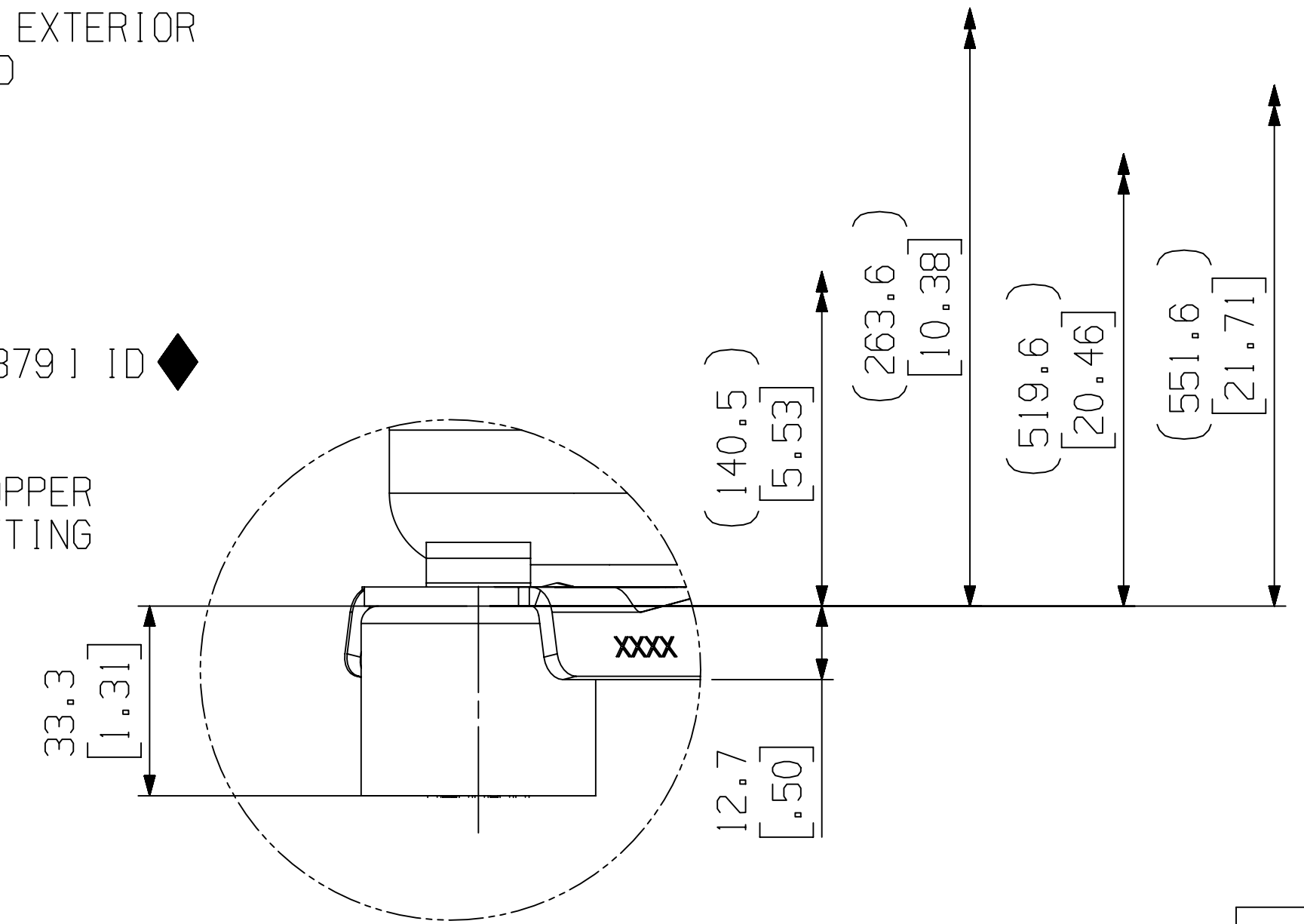


4 GROUNDING SCREW AND WASHER PER BOM



Ø 22.30-22.42 [0.878-0.883] ID
 √ 20.0 [0.787] MIN.
 0.038 [0.0015] MIN. THICK EXTERIOR AND INTERIOR COPPER PLATED DISCHARGE FITTING/STEEL CHECK VALVE

Ø 34.84-35.02 [1.372-1.379] ID
 √ 22.6 [0.890] MIN
 0.038 [0.0015] MIN THICK EXTERIOR AND INTERIOR COPPER PLATED STEEL SUCTION FITTING



DETAIL Y
SCALE 1:1

COMPRESSOR WIRING DIAGRAM
THREE PHASE MOTOR WITH INTERNAL PROTECTION

USE COPPER CONDUCTORS ONLY. USE THIS EQUIPMENT ON A GROUNDED SYSTEM ONLY. USE MINIMUM 75° C WIRE FOR AMPACITY. DETERMINATION. INTERNAL MOTOR PROTECTION-ALLOW TIME FOR RESET. PRIMARY SINGLE PHASE FAILURE PROTECTION IS PROVIDED. CRANKCASE HEATER, WHEN APPLIED, MUST BE CONNECTED ONLY TO ITS RATED VOLTAGE. OVERCURRENT PROTECTION DEVICE RATING AND TYPE MUST BE IN ACCORDANCE WITH REGULATORY AGENCY END PRODUCT APPROVALS - SEE SYSTEM NAMEPLATE. TO CORRECT IMPROPER MOTOR ROTATION, SWITCH ANY TWO SUPPLY LINES.

MOTOR WINDING CONNECTION

INTERPRET PER ASME Y14.5M-1994 AND EMERSON CLIMATE TECHNOLOGIES, INC. DESIGN STANDARDS DS2002
 DO NOT SCALE DRAWING
 CRITICAL PRODUCT CHARACTERISTICS
 UNLESS OTHERWISE SPECIFIED DIMENSIONS ARE MILLIMETER OR (1 INCH)
 TOLERANCES:
 1-PLACE ± N/A
 2-PLACE ± N/A
 ANGULAR ± N/A

ECN308270	2	UPDATED MODEL NUMBER	07-29-18	SZ	ZH	AW
ECN200213	1	CHANGE CONNECTOR BLOCK	08-22-16	AZ	LG	AW
ECN200213	0	RELEASED	04-15-16	AZ	LG	AW
ENG NOTICE NO.	REV.NO.	REVISIONS	DATE	BY	CHKD	APPR
15		CONFIDENTIALITY NOTICE THIS DRAWING AND INFORMATION CONTAINED HEREIN ARE THE EXCLUSIVE PROPERTY OF EMERSON CLIMATE TECHNOLOGIES, INC. AND SHALL BE RETURNED UPON DEMAND AND SHALL NOT BE REPRODUCED IN WHOLE OR IN PART DISCLOSED TO ANYONE ELSE OR USED, WITHOUT THE WRITTEN CONSENT OF EMERSON CLIMATE TECHNOLOGIES, INC.				
MATERIAL SPECIFICATION		DRAWN BY	SUPERSEDES DWG. NO. / REV. NO.			
N/A		AZ	497-0677-00/003			
		DATE	SCALE	DATE FORMAT:		
		04-15-16	3:8	MM-DD-YY		
TITLE			DRAWING NUMBER	SHEET 1 OF 1		
REF DWG-WELD COMP ASSM			497-1947-00	4		
			SIZE			

UNCONTROLLED - DO NOT MODIFY

COPYRIGHT EMERSON CLIMATE TECHNOLOGIES, INC. - CONFIDENTIAL