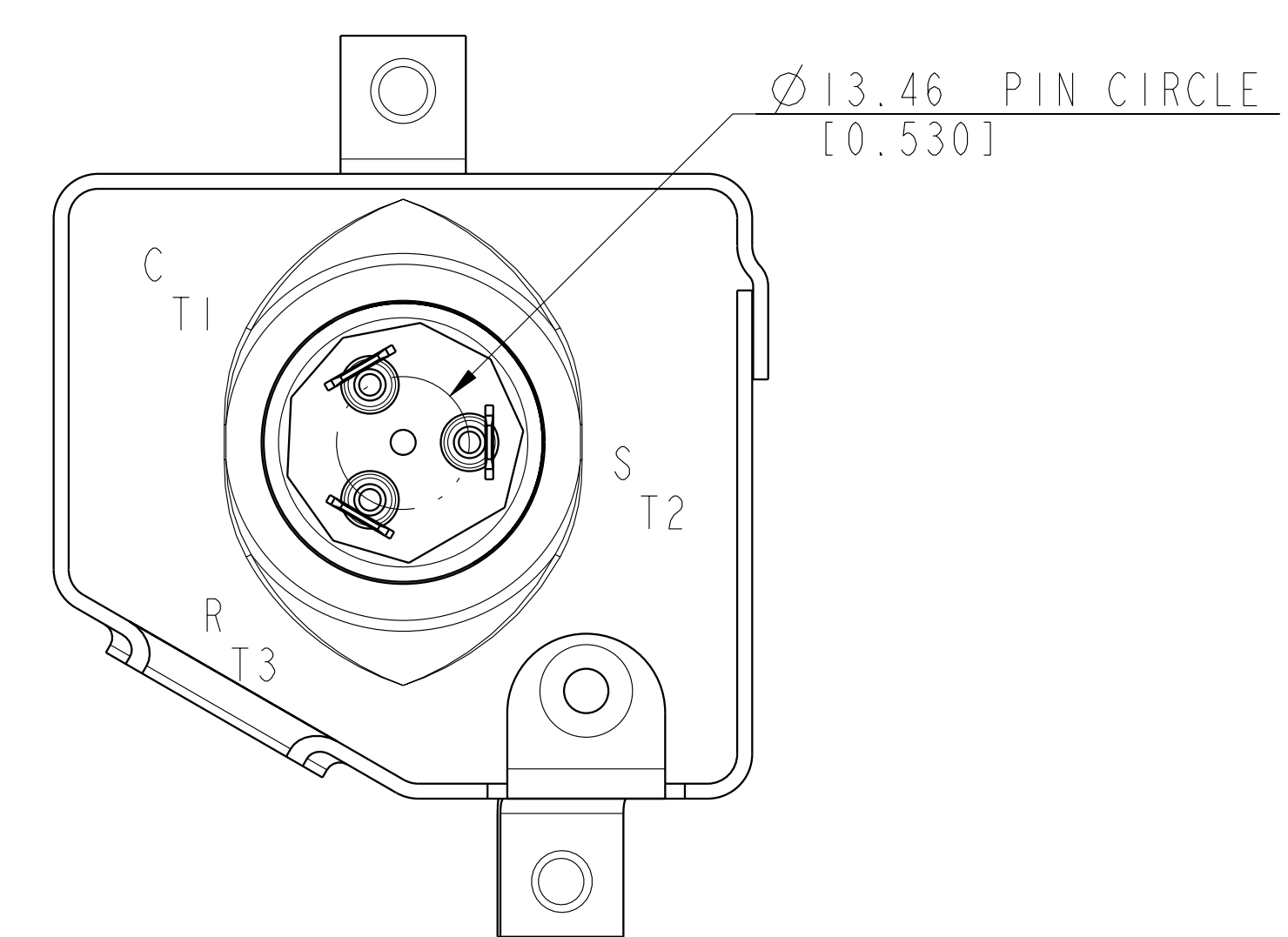


MODEL NUMBER
ZP36KSE-PFZ/TFM
ZP42KSE-PFZ/TFM
ZP42K5E-PFJ

SPECIFICATIONS	
ES NO.	DESCRIPTION
ES92-155	CONVERSION-METRIC

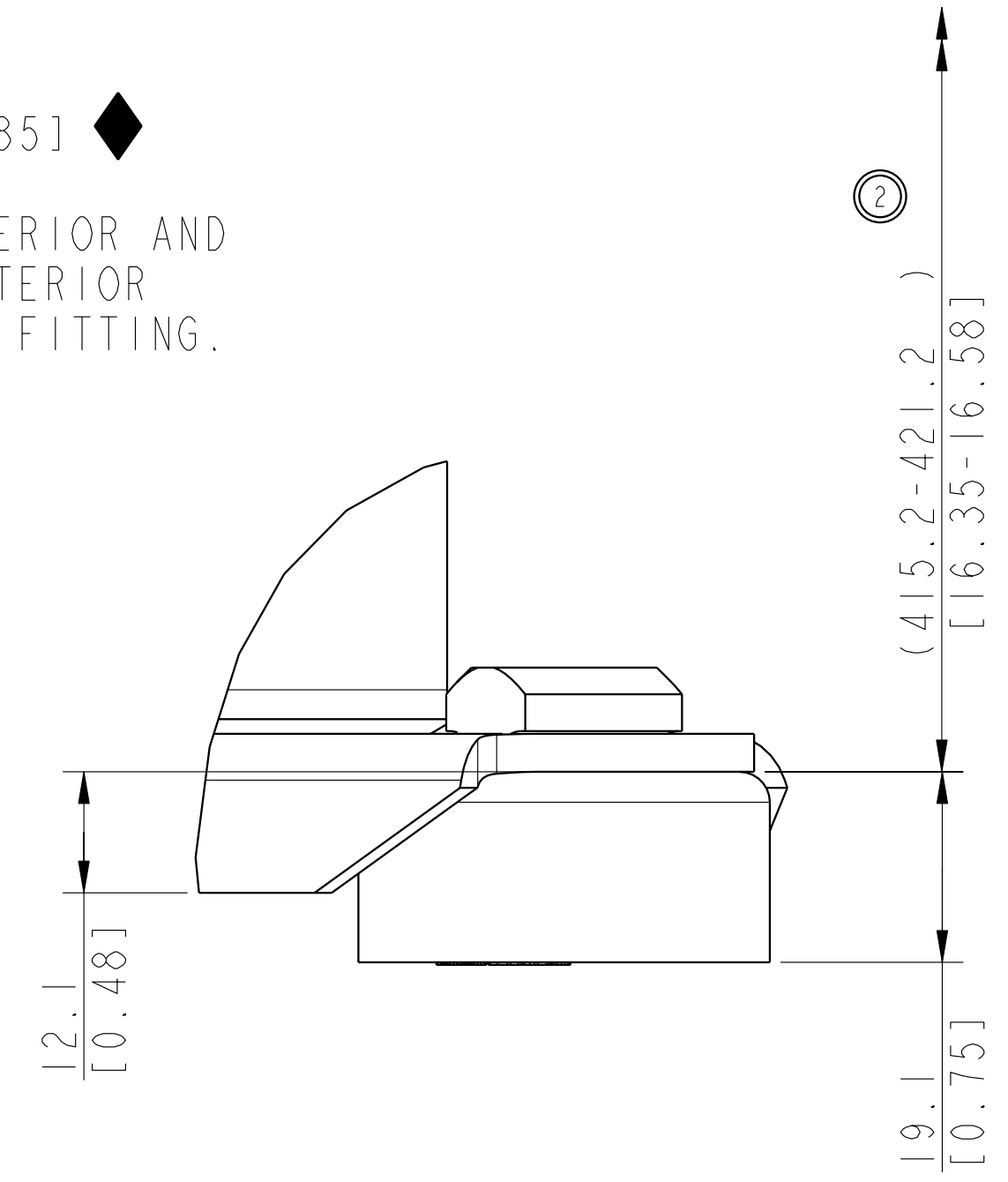
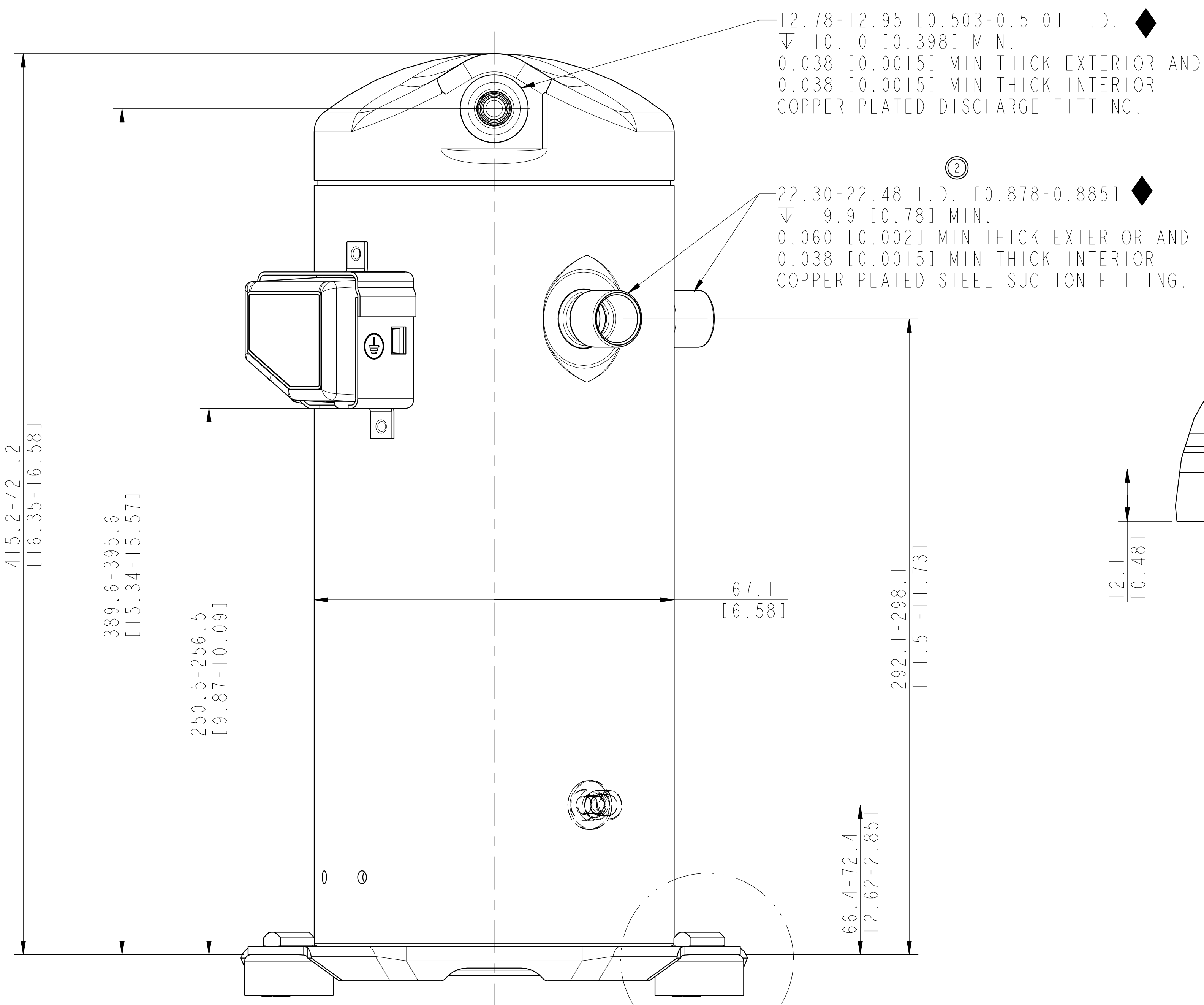
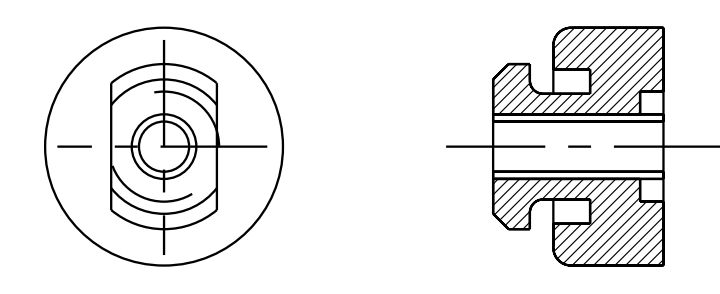
9.60-9.78 I.D. [0.375-0.385]
 ▽ 9.4 [0.370] MIN COPPER PLATED
 OIL LEVEL FITTING



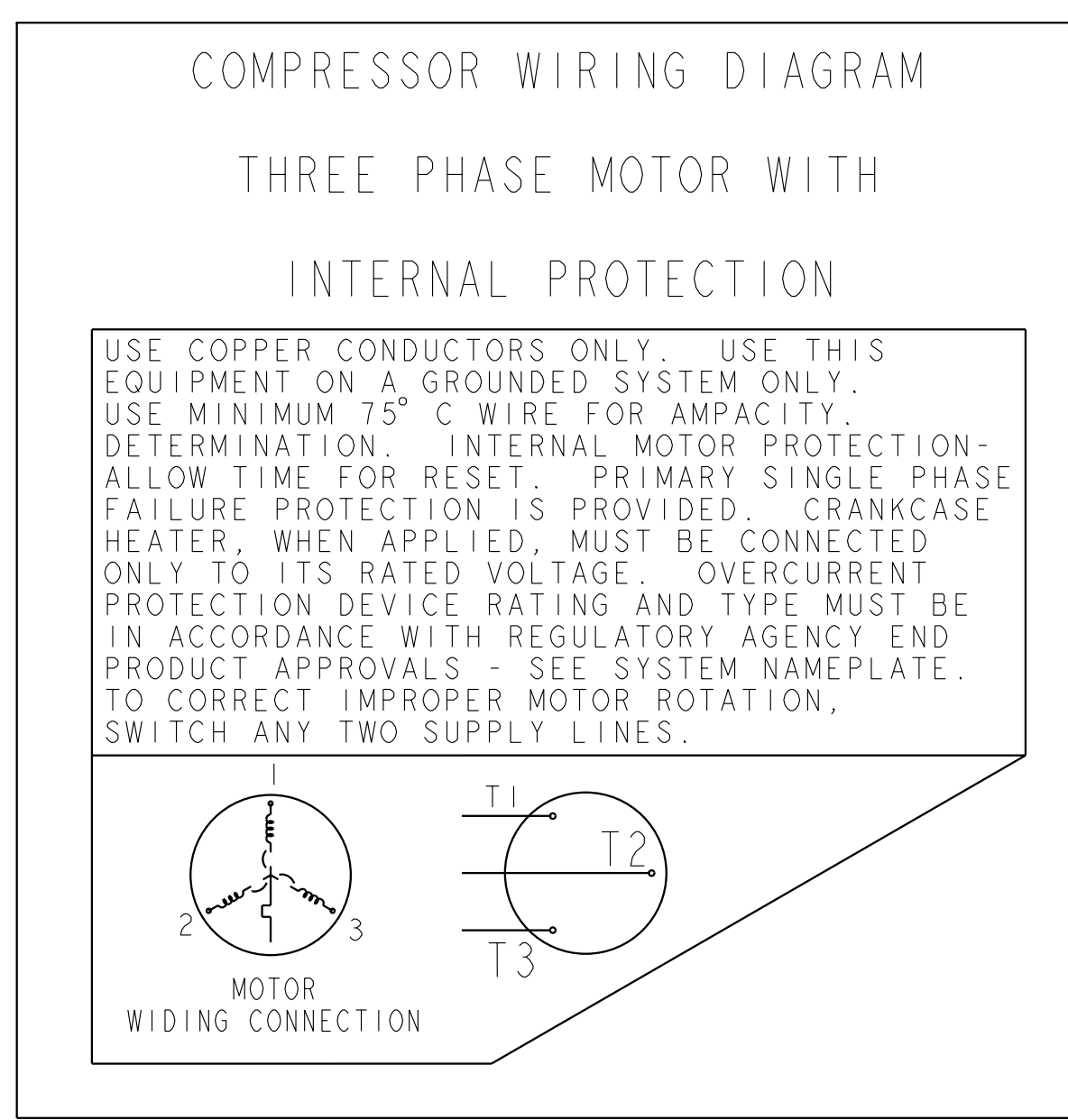
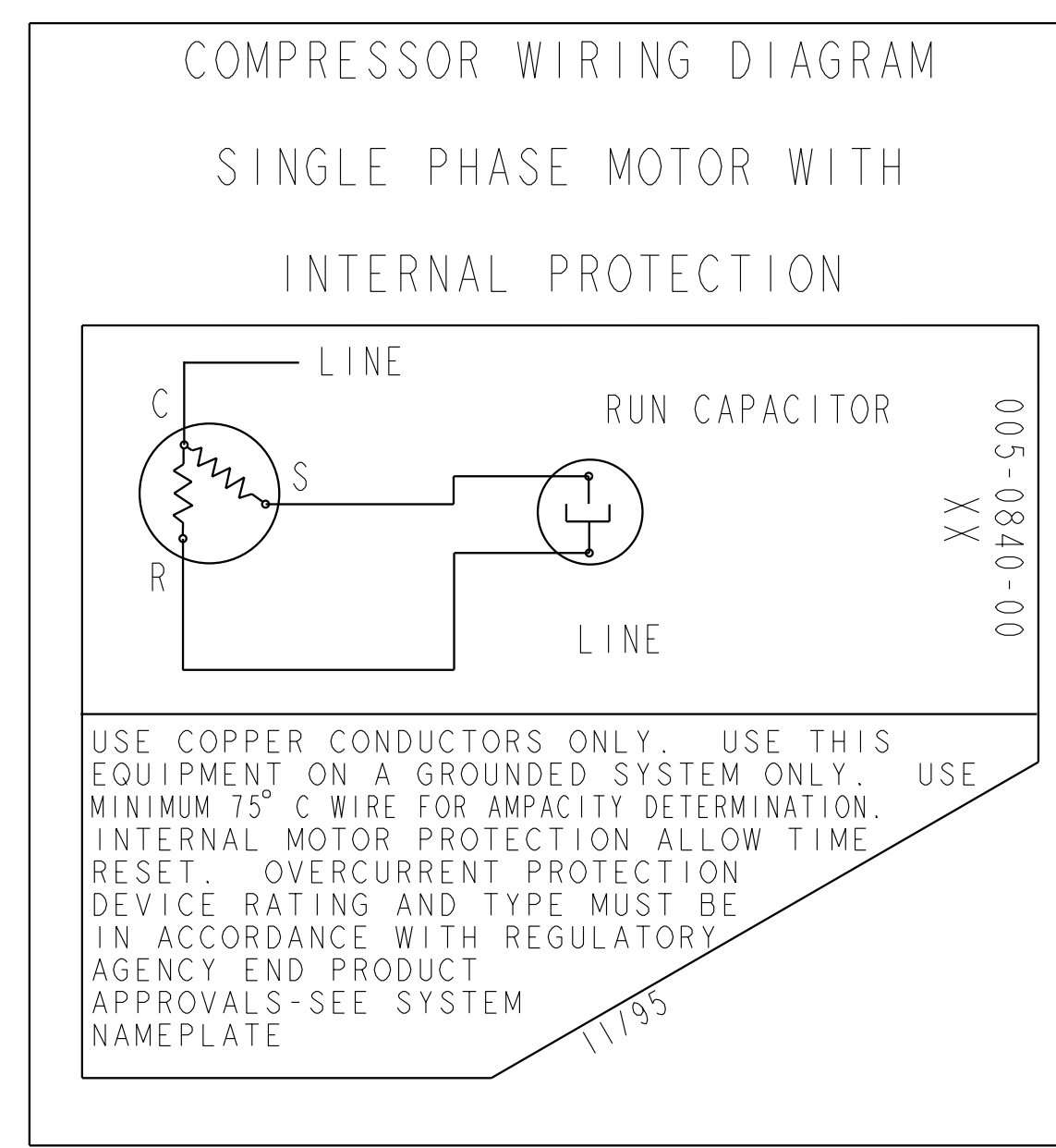
T-BOX LAYOUT
 STANDARD
 SCALE 3:2

- NOTES:
- 1 ALL TOLERANCES ±1.50 [0.060] UNLESS OTHERWISE SPECIFIED.
 - 2 THE SUCTION TUBE, DISCHARGE TUBE, OIL LEVEL TUBE AND BOX-TERMINAL RADIAL DIMENSIONS ARE TO BE GAUGED FROM THE CENTER OF MOUNTING HOLE PATTERN.
 3. TUBES ENDS MUST BE PLUGGED.
 4. MOUNTING KIT:

GROMMET DUROMETER	4 FOOT KIT
60-70	527-0212-00



DETAIL Y
 SCALE 3:2



INTERPRET PER ASME Y14.5M-1994 AND EMERSON CLIMATE TECHNOLOGIES, INC. DESIGN STANDARDS DS2002 DO NOT SCALE DRAWING

THIRD ANGLE PROJECTION

CRITICAL PRODUCT CHARACTERISTIC

UNLESS OTHERWISE SPECIFIED DIMENSIONS ARE MILLIMETER OR (INCH)

TOLERANCES:
 1-PLACE ±
 2-PLACE ±
 ANGULAR ±

ECN004782	2	MODIFIED DIMENSIONS	11-30-11	PBM	BR	KJR
ECN001887	1	ADDED ZP42K5E-PFJ MODEL	09-11-09	INY	EC	KJR
ECN001887	0	RELEASED	07-21-09	PBM	EC	KJR
ENG NOTICE NO.	REV. NO.	REVISIONS	DATE	BY	CHKD	APPR
24	(63)	THIS DRAWING AND INFORMATION CONTAINED HEREIN ARE THE EXCLUSIVE PROPERTY OF EMERSON CLIMATE TECHNOLOGIES, INC. AND SHALL BE RETURNED UPON DEMAND AND SHALL NOT BE REPRODUCED IN WHOLE OR IN PART, DISCLOSED TO ANYONE ELSE OR USED, WITHOUT THE WRITTEN CONSENT OF EMERSON CLIMATE TECHNOLOGIES, INC.				
MATERIAL SPECIFICATION		DRAWN BY: PBM / SUPERSEDES DWG. NO. / REV. NO. / DATE: 07-21-09 / SCALE: 3:4 / DATE FORMAT: MM-DD-YY				
TITLE		REF DWG-WELD COMP ASSM				
DRAWING NUMBER		497-0885-00				
SHEET 1 OF 1		DWG				
5		SIZE				