

220-240V 50 1~**GENERAL DATA**

Application: LBP
Refrigerant: R600a
Evaporating Temperature Range: -35°C to -10°C
Compressor Cooling: Static
Type: Hermetic reciprocating
Technology Type: On-Off
Expansion Device: Capillary Tube
Packing Quantity: Multi - 88 pcs
Displacement: 9.04 cm³
Horse power: 1.6 hp

Approvals:   

MECHANICAL DATA

Bore: 24 mm
Stroke: 20 mm
Oil Charge: 150ml +/-15ml
Free Internal Volume: 1.5 cm³
Maximum Recommended Refrigerant Charge: 150 g
Oil Type Configuration: Alkylbenzene
Oil Type Viscosity: ISO5
Compressor pressurization: Light vacuum
Weight: 7.6 kg

ELECTRICAL DATA

Motor Type: RSCR
Starting Torque: LST
Voltage working range at 50 Hz: 198-254 V
Maximum Motor Temperature: 130 °C
Start Winding Resistance: 16.55 Ω (± 10%) at 25°C
Run Winding Resistance: 25 Ω (± 10%) at 25°C

MOUNTING ACCESSORIES

	Description	Code
Terminal Board:	no	-
Overload Protector Bracket:	no	-
Capacitor Bracket:	no	-
Washer:	no	-
Pin:	no	-
Clip:	no	-
Rotolock valve:	no	-
Cover:	no	-
Grommets:	no	-
Sleeves:	no	-
Anchorage:	yes	1027058

ELECTRICAL COMPONENTS

	Component type	Description	Code
Starting Device:	PTC	PTC 230V	1260011
Motor Protection:	External 3/4"	AE18BQ8	2288507

EXTERNAL CHARACTERISTICS

Base Plate: European
Tray Holder: Yes
Height: 171 mm

	Internal Diameter (mm)	Material	Shape
Suction Connector	6.1	Copper	Slanted 42°
Discharge Connector	4.9	Copper	Straight
Process Connector	5.92	Copper	Slanted 43°

RATED POINT DATA

Cooling Capacity (W)	Power Consumption (W)	Current Consumption (A)	Gas Flow Rate (kg/h)	Efficiency (W/W)
±5%	±5%	±5%	±5%	±7%
117	87	0.41	1.53	1.35

Test condition: CECOMAF, Static, Return Gas 32°C, Subcooling OK, Evaporating: -25°C, Condensing: 55°C, Ambient: 32°C

PERFORMANCE CURVE DATA

220V 50Hz

Condensing Temperature (°C)	Evaporating Temperature (°C)	Cooling Capacity (W)	Power Consumption (W)	Current Consumption (A)	Gas Flow Rate (kg/h)	Efficiency (W/W)
		±5%	±5%	±5%	±5%	±7%
35°C	-10	301	109	0.51	3.31	2.76
	-15	242	101	0.47	2.66	2.41
	-20	192	92	0.42	2.11	2.08
	-25	150	83	0.38	1.64	1.80
	-30	115	74	0.34	1.25	1.55
	-35	87	64	0.30	0.95	1.35

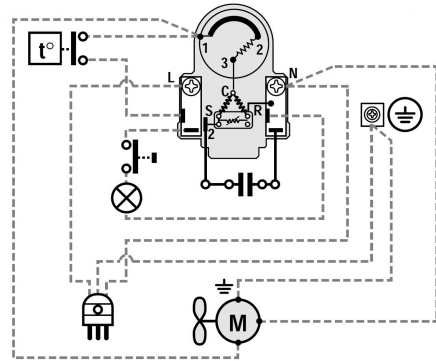
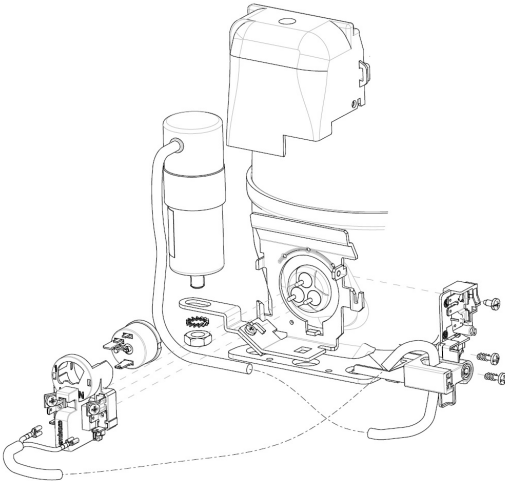
Condensing Temperature (°C)	Evaporating Temperature (°C)	Cooling Capacity (W)	Power Consumption (W)	Current Consumption (A)	Gas Flow Rate (kg/h)	Efficiency (W/W)
		±5%	±5%	±5%	±5%	±7%
45°C	-10	277	119	0.56	3.31	2.33
	-15	222	108	0.50	2.65	2.07
	-20	175	96	0.45	2.08	1.82
	-25	135	85	0.40	1.60	1.59
	-30	102	74	0.35	1.21	1.38
	-35	76	63	0.30	0.90	1.20

Condensing Temperature (°C)	Evaporating Temperature (°C)	Cooling Capacity (W)	Power Consumption (W)	Current Consumption (A)	Gas Flow Rate (kg/h)	Efficiency (W/W)
		±5%	±5%	±5%	±5%	±7%
55°C	-10	246	129	0.60	3.22	1.91
	-15	197	114	0.53	2.57	1.72
	-20	154	100	0.47	2.00	1.53
	-25	117	87	0.41	1.53	1.35
	-30	87	74	0.36	1.14	1.18
	-35	64	63	0.31	0.83	1.02

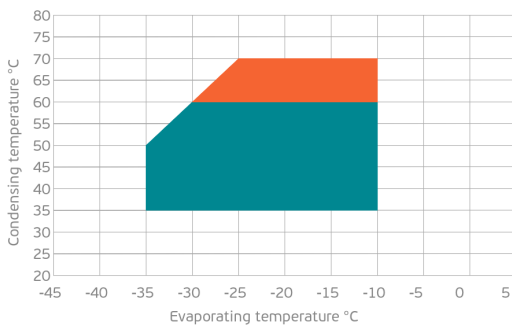
Test condition: CECOMAF, Static, Return Gas 32°C, Subcooling OK, Ambient: 32°C

ASSEMBLY INSTRUCTION

WIRING DIAGRAM

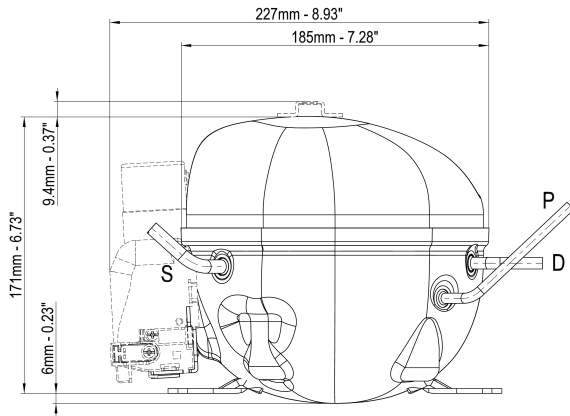


OPERATING ENVELOPE



- Operating Condition
- Transient Condition
- Superheating

NOTE: usage of compressors outside of intended working range cannot make use of the warranty, or should be consulted with Technical support.



	∅ mm	∅ in	Material
S - Suction	6.10 - 6.20	0.24	Cu
P - Process	5.92 - 6.08	0.23	Cu
D - Discharge	4.90 - 5.02	0.19	Cu

