

## Data sheets

For standard refrigerants > Standard series

Technical data:		
Cylinders	#	4
Displacement @ 50 Hz	m <sup>3</sup> /h [50Hz]	83.8
Displacement @ 60 Hz	m <sup>3</sup> /h [60Hz]	100.6
Motor version[1]		2
Nominal Motor power	HP	20
Nominal Motor power	kW	15
Motor voltage at 50 Hz[2]	V/ph/Hz	380-420V/3/50Hz PWS
Motor voltage at 60 Hz[2]	V/ph/Hz	440-480V/3/60Hz PWS
PWS partition		50-50
CC Head capacity control steps	%	100-50
RSH Head capacity control steps	%	100-75-50
MRA, max operating current at 400V/50Hz and 460V/60Hz	A	42.6
LRA, max starting current at 400V/50Hz and 460V/60Hz, PWS motor	A	106.6
LRA, max starting current at 400V/50Hz and 460V/60Hz, PWS motor-DOL connection	A	180.5
Max power consumption	kW	24.2
Frequency min	Hz	30
Frequency max[3]	Hz	70
Electric terminal box class protection		IP65
Maximum pressure HP	bar	30
Maximum pressure LP	bar	20.5
Oil type[4]		POE68
Oil charge (3/4 of sight glass)	l	4
Lubrication type		Oil pump
Suction valve (SV)	inch	1 <sup>5</sup> / <sub>8</sub>
Discharge valve (DV)	inch	1 <sup>1</sup> / <sub>8</sub>
Net weight	kg	180
Max Length	mm	672
Max Width	mm	460
Max Height	mm	463
Rubber mounts diameter	mm	50
Rubber mounts height	mm	30
Rubber mounts shore	sh	55
Sound power level (-10/45, R404A)[5]	dB(A)	81
Sound pressure level @ 1m (-10/45, R404A)[5]	dB(A)	73
Compressor body material		Ghisa GJL250
Motor protection		AMS
Control, diagnostics and protection device		INT69® TML Diagnose
Oil level sight glass	#	2

[1] Motor version: 1 = high and mid temp. all refrigerants; 2 = low and mid temp. all refrigerants; 3 = ECOinside, low temp. R134a, R1234ze, R1234yf only

[2] Other motor voltage available on request

[3] Maximum frequency depends on the working conditions: use the FSS.3 (Frascold selection software)

[4] For alternative lubricants refer to bulletin FTEC022

[5] Sound pressure in free field, hemispherical model at 1 meter distance, 50Hz; PWL and SPL in different conditions are available on

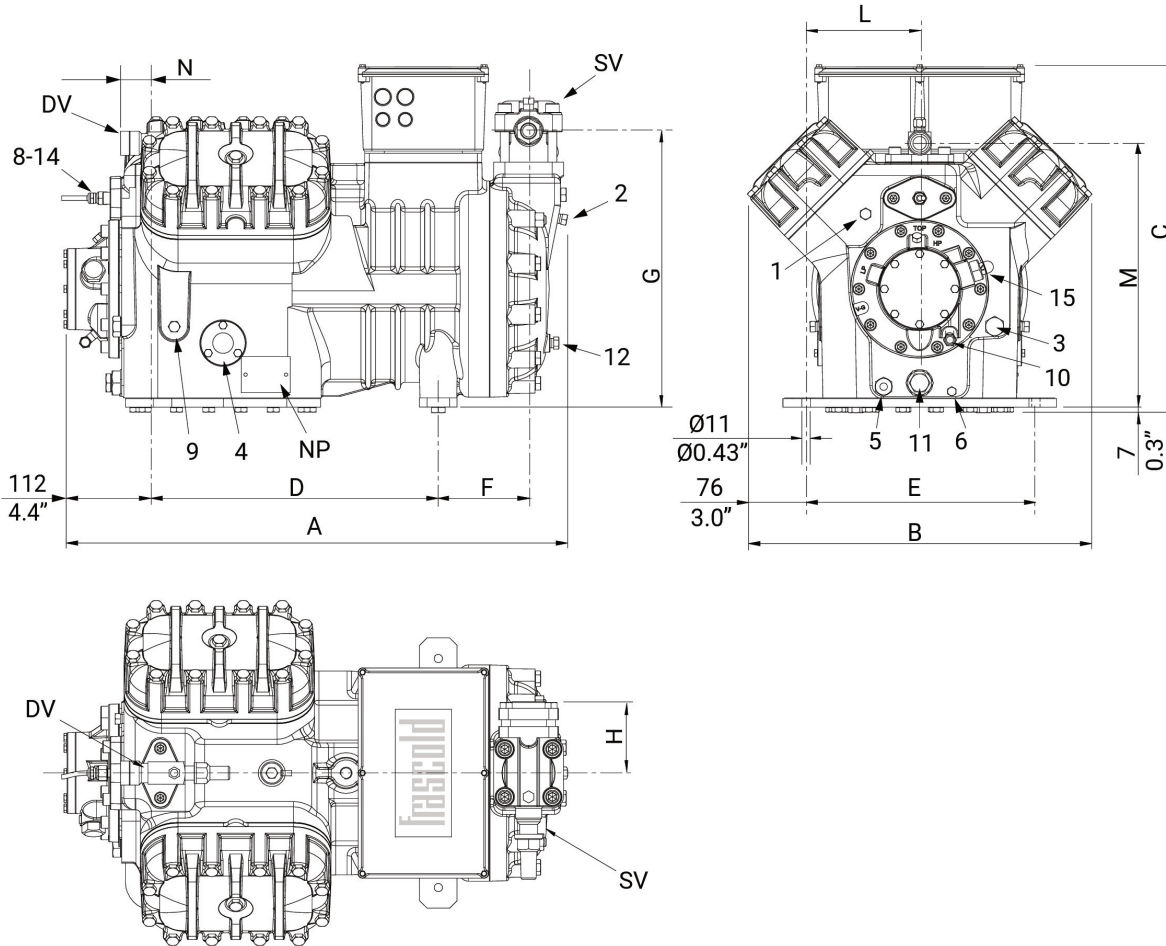
## Data sheets

For standard refrigerants > Standard series

Accessories:	
Oil heater (230V-150W)	T00CH9-RIC
RSH capacity control head 230V AC	T00SK220400
CC capacity control head 230V AC	T00SK220200
US unloader start head 230V AC	T00SK250200
Head cooling fan - 230-400V/3/50-60Hz	SZ-FM2V
Water cooled head	T00SK50000
Electronic oil level switch (230V)	T00WK252
Electronic oil level regulator - INT280 Diagnose 230V AC	T00EC1900
Kit adapters for oil equalization line - 1" ROT 5/8" ODS	T00SK170200
Kit adapters for oil equalization line - 1"1/4 ROT 1"1/8 ODS	T00SK170300
DP Modbus Gateway	T00EC59
Connection cable Modbus Gateway - INT69	T00EC65
USB adapter cable	T00EC57
FLI electronic liquid injection kit	SZ-FLI/2

## Data sheets

For standard refrigerants > Standard series



### Dimensional drawing:

SV Suction valve (SV)	mm	42
DV Discharge valve (DV)	mm	28.6
SV Suction valve (SV)	inch	1 5/8
DV Discharge valve (DV)	inch	1 1/8
A Length (A)	mm	672
B Width (B)	mm	460
C Height (C)	mm	463
D Base mounting (D)	mm	381
E Base mounting (E)	mm	305
F Suction valve (F)	mm	120
G Suction valve (G)	mm	367
H Suction valve (H)	mm	95
L Discharge valve (L)	mm	152
M Discharge valve (M)	mm	352
N Discharge valve (N)	mm	43
1 High pressure plug (1)		1/8" NPT

2 Low pressure plug (2)		1/4" NPT
3 Oil charge plug (3)		3/8" GAS
4 Oil level sight glass (4)		-
5 Crankcase heater (5)		-
6 Oil drain plug (6)		1/4" GAS
7 Liquid injection valve plug (7)		1/4" NPT
8 Liquid injection sensor plug (8)		1/8" NPT
9 Oil pressure switch connection (LP)		1/4" NPT
10 Oil pressure switch connection (HP)		1/4" SAE
11 Oil filter (11)		3/8" GAS
12 Oil return plug (12)		1/4" NPT
14 Max. discharge temperature sensor (14)		-
15 Electronic oil pressure switch connection		-
NP Name Plate (NP)		-