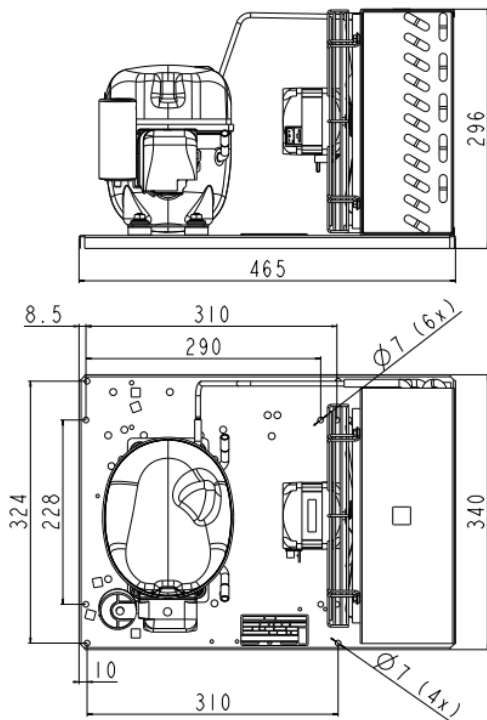


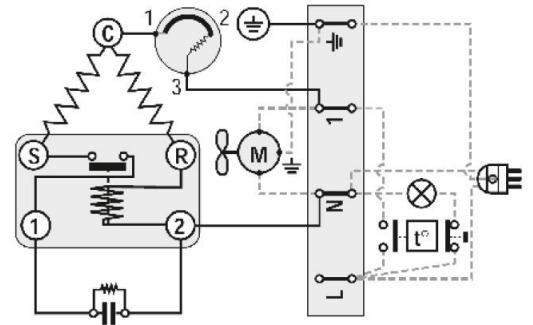
GENERAL DATA

Application:	M/HBP
Refrigerant:	R134a
Expansion Device:	C-V
Weight:	20.7 kg
Receiver:	0 liter
Voltage/Frequency:	220 - 240 V 50 ~
Height:	20.7 mm
Length:	465 mm
Width:	340 mm
Institute Approvals:	CE

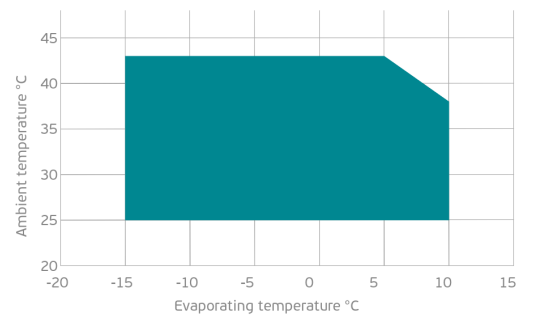
EXTERNAL DIMENSIONS



WIRING DIAGRAM



OPERATING ENVELOPE



COMPONENTS (SPARE PARTS)

condenser:	3R11T	2451206	fankit:	16W 254/28/5B	1996579
compressor:	NEK6212Z	269AA51..AM	elkit:	ELKOM NEK6212Z	269AA51N1A

For additional accessories please contact our technical support

ELECTRICAL DATA

Motor Type: CSIR -
Locked Rotor Amperage (LRA): 19.5 A
Max.Current: 3.95 A

At maximum evaporating temperature and maximum ambient temperature.

FAN MOTOR

Number: 1 -
Shaft Power: 16 W
Air Flow: 595 m³/h
Blade Diameter: 254 mm

PERFORMANCE CURVE DATA

Standard: EN13215-RG20 / return gas 20°C, subcooling 3K

50 Hz

	Evaporating Temperature (°C)	Cooling Capacity (W)	Power Consumption (W)	Current Consumption (A)	Efficiency (W/W)
25 °C Ambient Temperature	10°C	1 482	646	3.98	2.29
	5°C	1 264	585	3.77	2.16
	0°C	1 066	530	3.58	2.01
	-5°C	888	479	3.43	1.86
	Rated point -10°C	730	432	3.30	1.69
	-15°C	592	391	3.19	1.52
32 °C Ambient Temperature	10°C	1 348	666	4.10	2.02
	5°C	1 149	604	3.88	1.90
	0°C	968	546	3.69	1.77
	-5°C	806	493	3.53	1.63
	Rated point -10°C	663	446	3.40	1.49
	-15°C	540	403	3.29	1.34
43 °C Ambient Temperature	5°C	1 001	641	3.99	1.56
	0°C	837	578	3.77	1.45
	-5°C	690	520	3.58	1.33
	Rated point -10°C	560	468	3.43	1.20
	-15°C	449	420	3.30	1.07