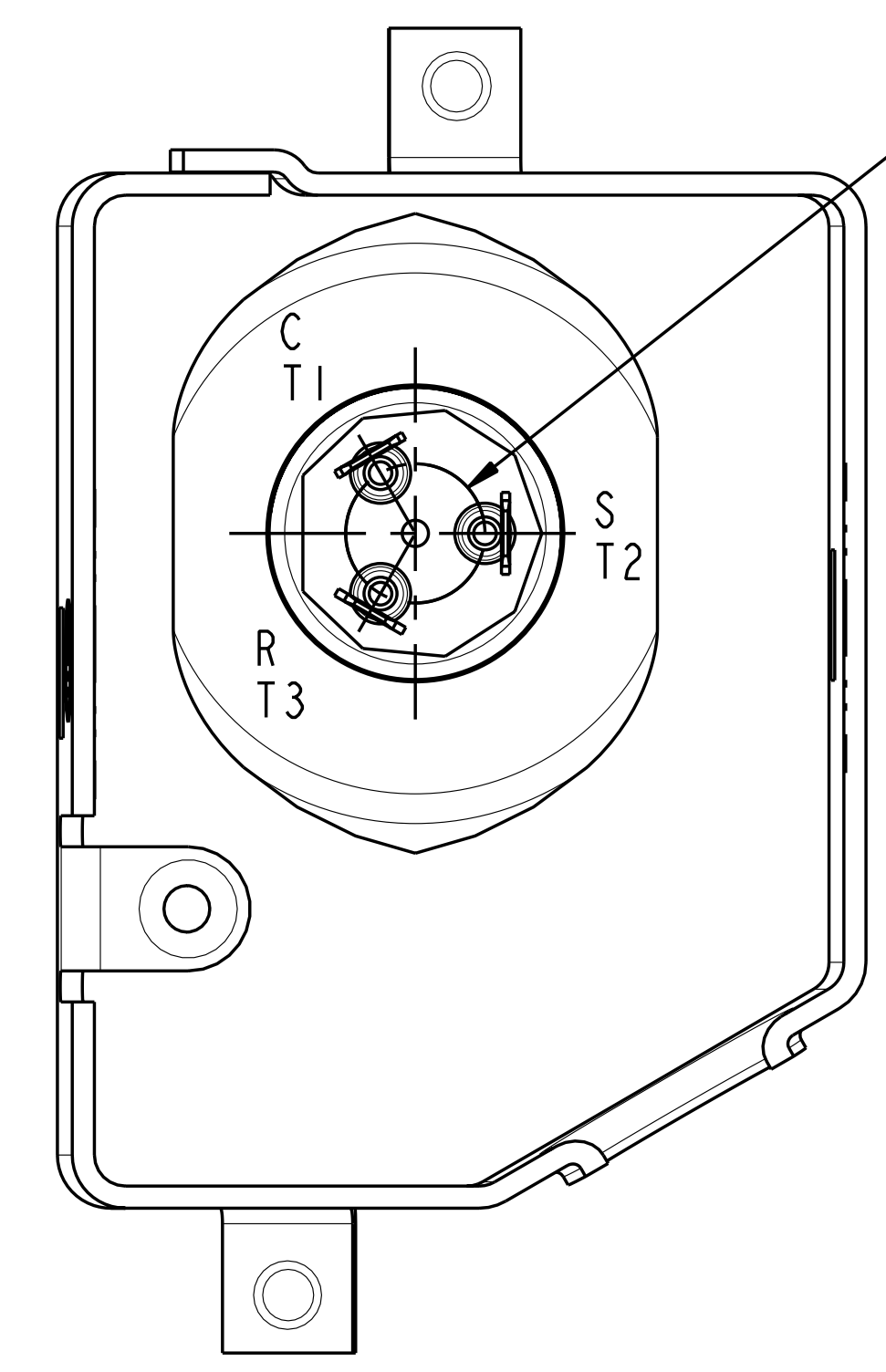
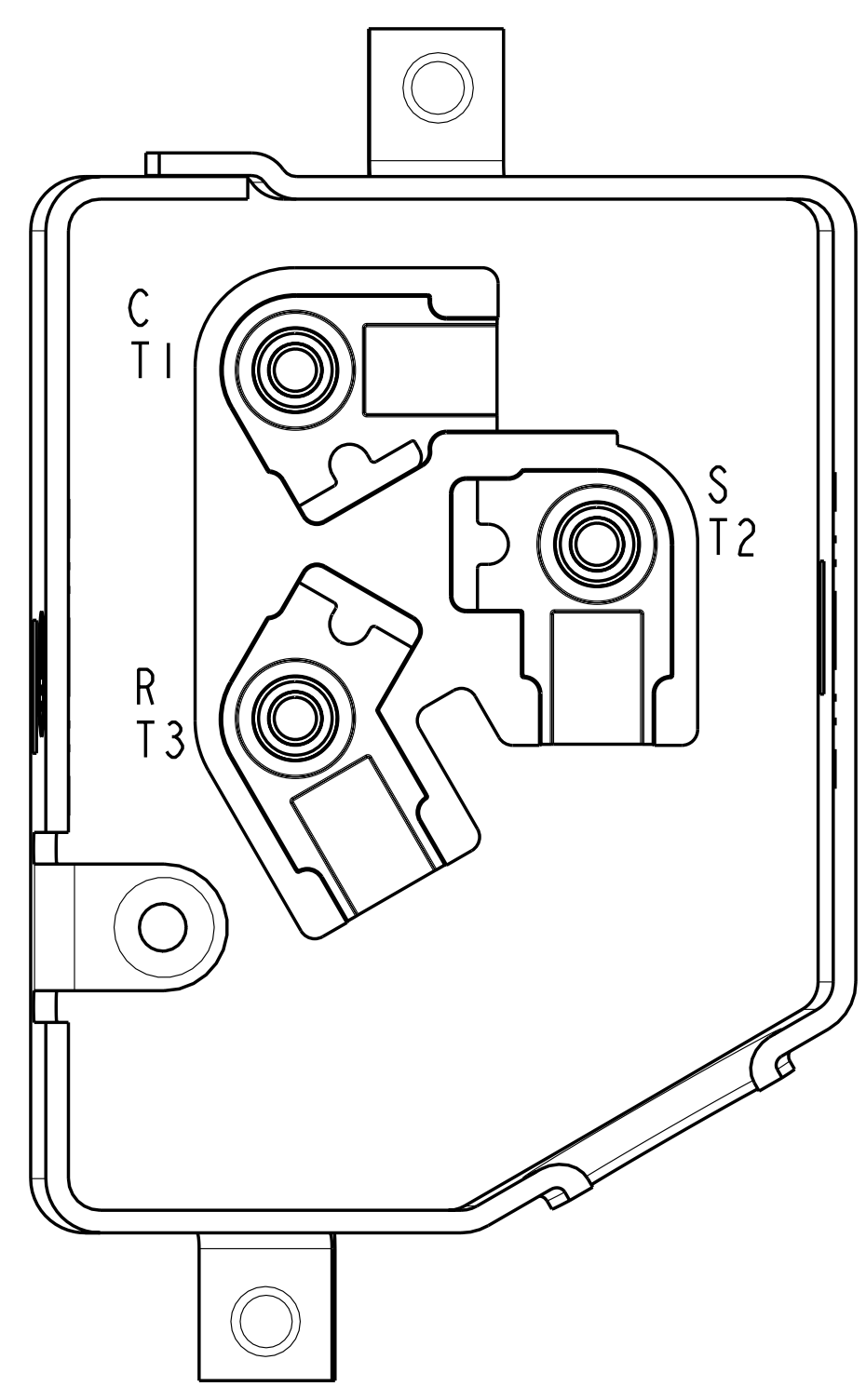
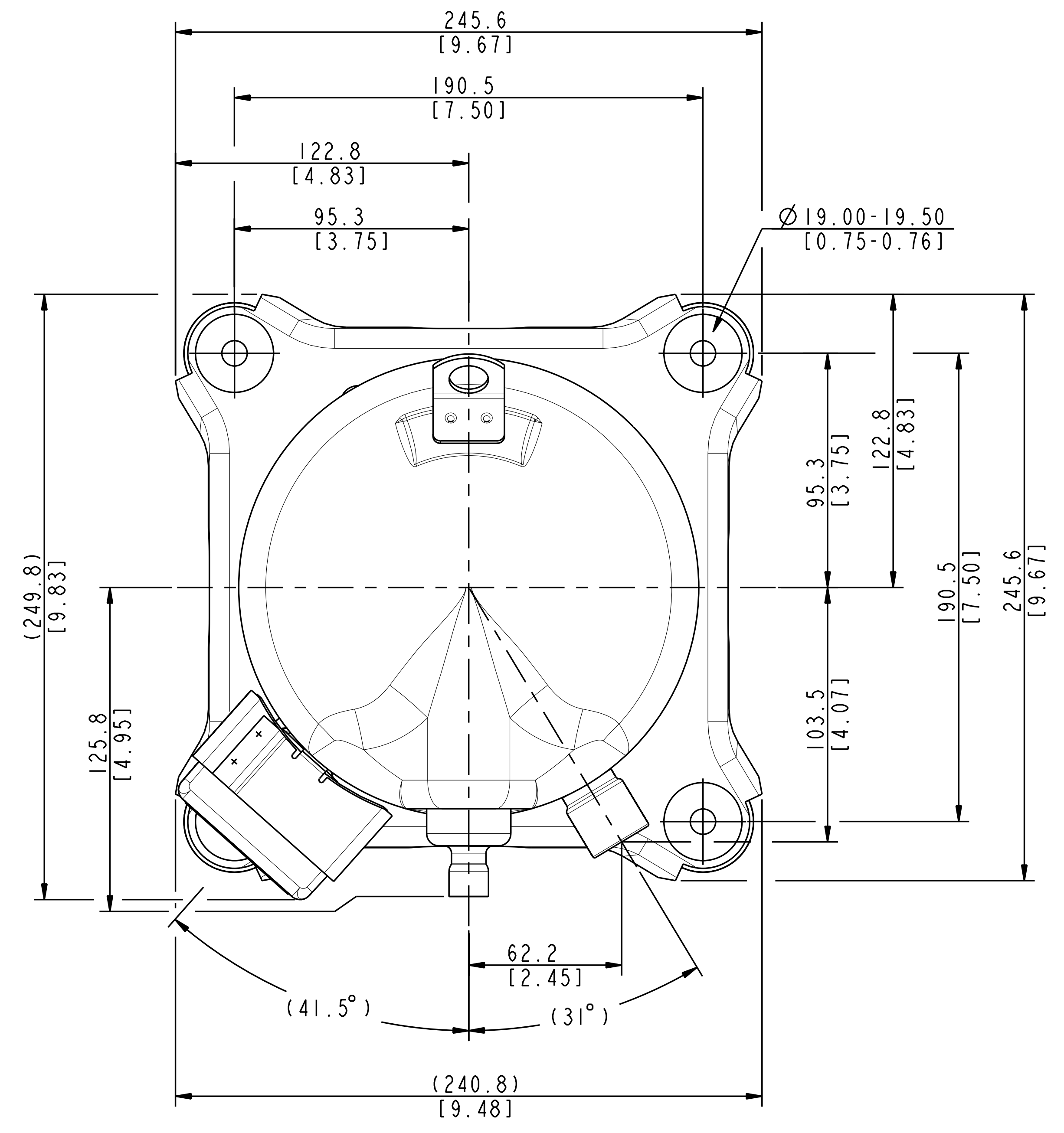


SPECIFICATIONS	
ES NO.	DESCRIPTION
ES92-155	CONVERSION-METRIC

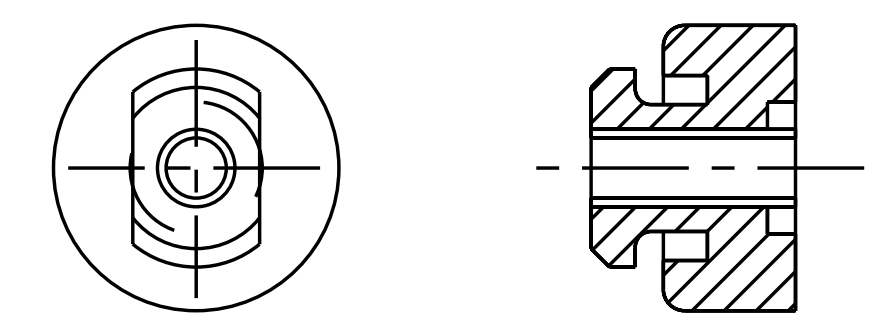
MODEL NUMBER
ZP83KCE-TFO
ZP72KCE-TFO
ZP61KCE-TFO



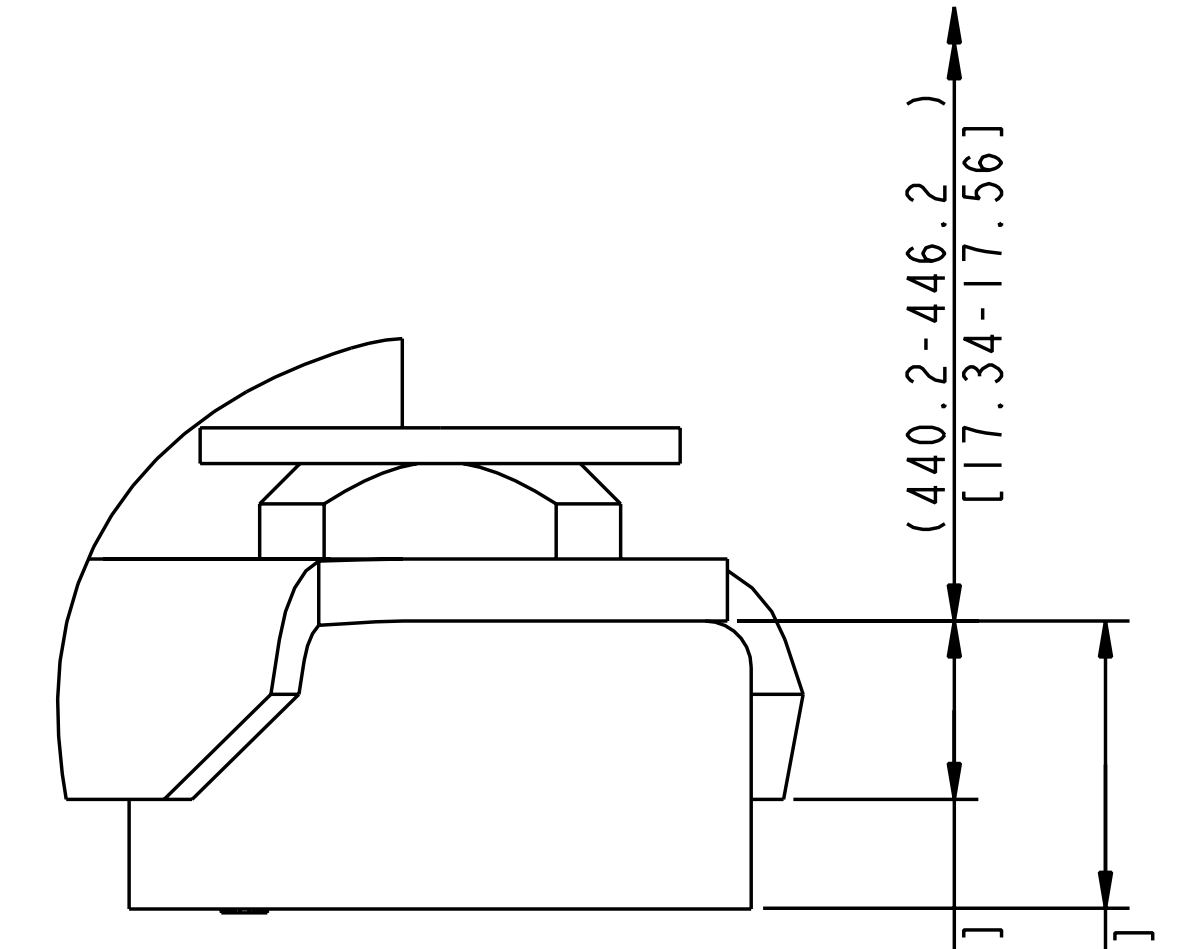
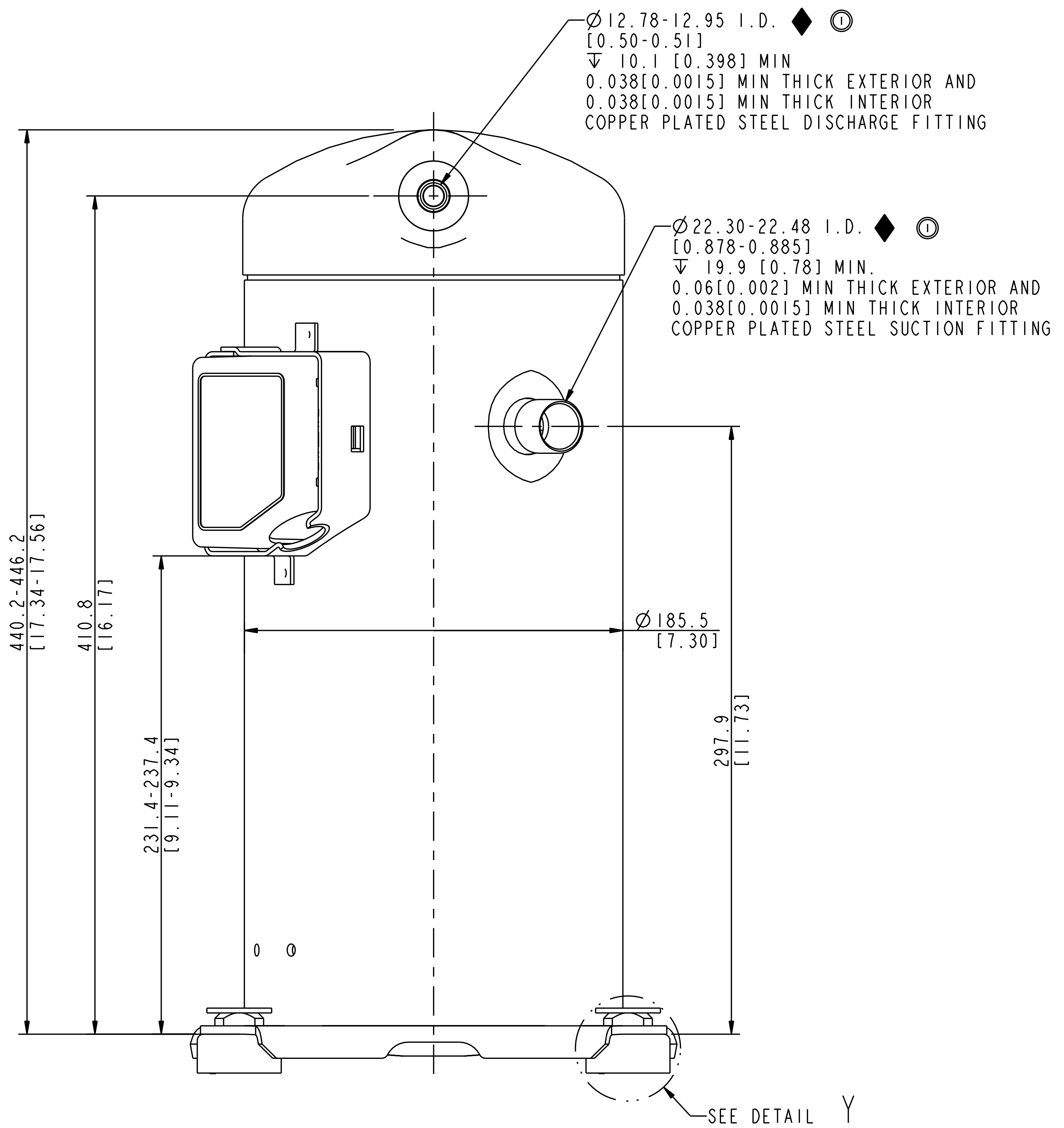
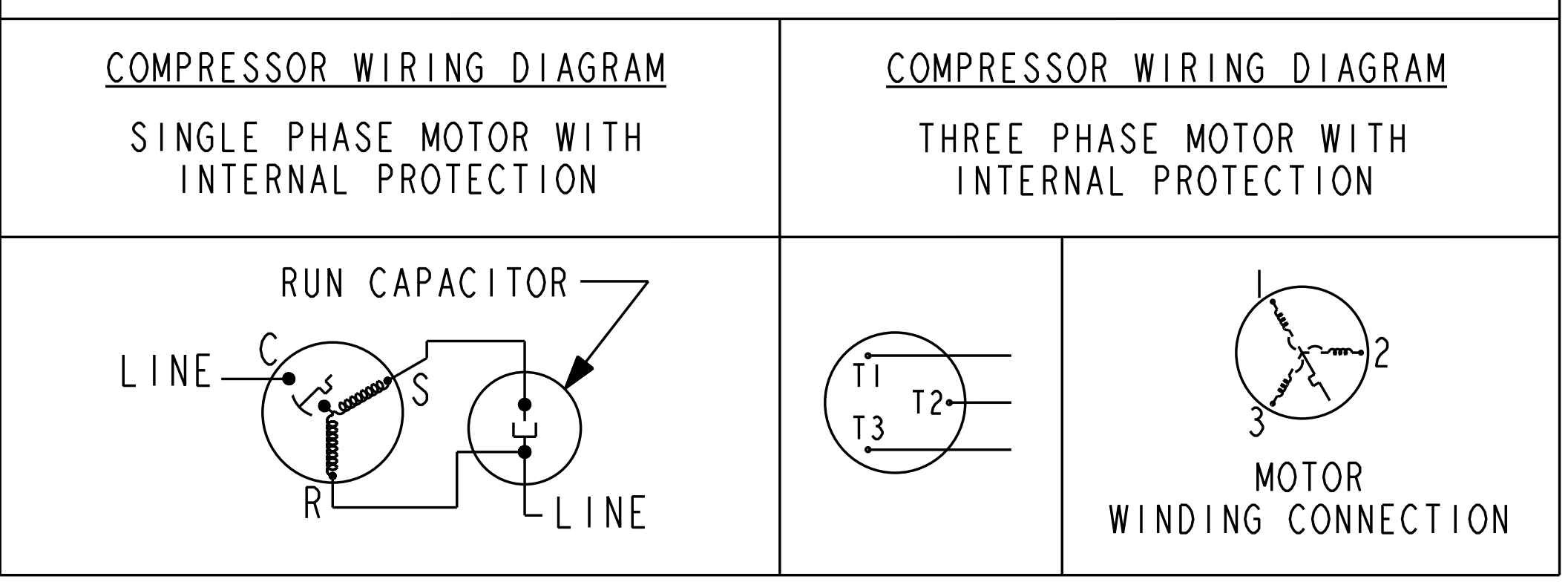
Ø 17.45 PIN CIRCLE [0.687]  
MODELS: TFO

- NOTES:
- 1 ALL TOLERANCES ±1.50 [0.060] UNLESS OTHERWISE SPECIFIED.
  - DUE TO ACCUMULATED ASSEMBLY TOLERANCES THE LISTED COMPONENTS MAY VARY FROM THE MOUNTING HOLES AS SHOWN BELOW:
  - 2 ALL FITTINGS : ±3.0 [0.12]
  - 3 MOUNTING KIT.
  - 3. TUBE ENDS MUST BE PLUGGED.

GROMMET DUROMETER		4 FOOT KIT	
35-45		527-0221-00	



USE COPPER CONDUCTORS ONLY. USE MINIMUM 75° C WIRE FOR AMPACITY DETERMINATION. INTERNAL MOTOR PROTECTION - ALLOW TIME FOR RESET. OVERCURRENT PROTECTION DEVICE RATING AND TYPE MUST BE IN ACCORDANCE WITH REGULATORY AGENCY END PRODUCT APPROVALS - SEE SYSTEM NAMEPLATE. CRANKCASE HEATER, WHEN APPLIED, MUST BE CONNECTED ONLY TO ITS RATED VOLTAGE. TO CORRECT IMPROPER ROTATION OF THREE PHASE MODELS, SWITCH ANY TWO SUPPLY LINES. REFER TO THE APPLICABLE SYSTEM WIRING DIAGRAM.



INTERPRET PER ASME Y14.5M-1994 AND EMERSON CLIMATE TECHNOLOGIES, INC. DESIGN STANDARDS DS2002 DO NOT SCALE DRAWING

THIRD ANGLE PROJECTION

CRITICAL PRODUCT CHARACTERISTIC

UNLESS OTHERWISE SPECIFIED DIMENSIONS ARE MILLIMETER OR (INCH)

TOLERANCES:  
1-PLACE ±  
2-PLACE ±  
ANGULAR ±

ECN004349	3	ADDED ZP61KCE-TFO	05-22-12	AZ	WH	QL
ECN004336	2	ADDED ZP72KCE-TFO	03-23-12	EL	WH	QL
ECN004128	1	UPDATE MOUNTING	12-28-11	EL	WH	QL
ECN004128	0	RELEASED	07-26-11	CW	WH	QL

ENG NOTICE NO. REV. NO. REVISIONS DATE BY CHKD APPR

CONFIDENTIALITY NOTICE

THIS DRAWING AND INFORMATION CONTAINED HEREIN ARE THE EXCLUSIVE PROPERTY OF EMERSON CLIMATE TECHNOLOGIES, INC. AND SHALL BE RETURNED UPON DEMAND AND SHALL NOT BE REPRODUCED IN WHOLE OR IN PART, DISCLOSED TO ANYONE ELSE OR USED, WITHOUT THE WRITTEN CONSENT OF EMERSON CLIMATE TECHNOLOGIES, INC.

MATERIAL SPECIFICATION

N/A

DRAWN BY DATE SUPERSEDES DWG. NO. / REV. NO. DATE SCALE DATE FORMAT

497-2618-00 / 48  
07-26-11 3:4 MM-DD-YY

TITLE SHEET 1 OF 1 DWG

REF DWG-WELD COMP ASSM 497-1144-00 5 SIZE