

**GENERAL DATA**

Application	High/Mid. back pressure
Refrigerant	R134a
Evaporating °C	-25 - 10
Comp. cooling	Fan cooled
Max. ambient temp. °C	43

**CONDENSER DATA**

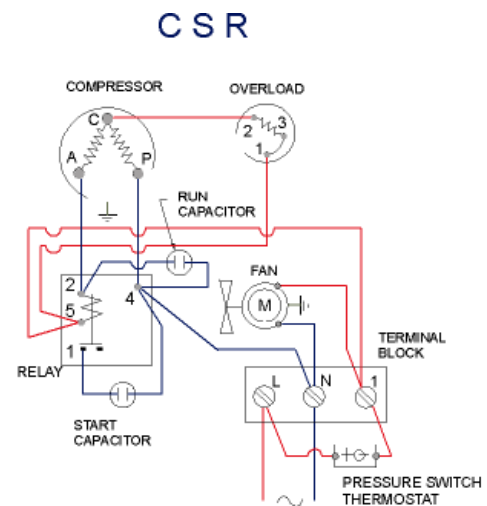
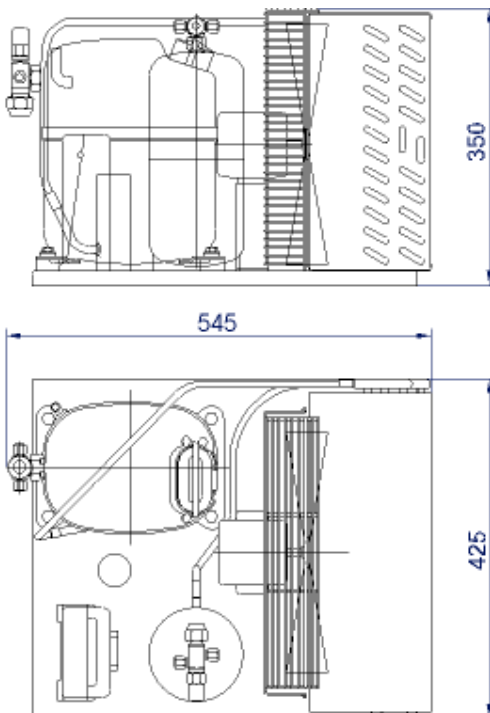
Condenser type	CU-AL
Condenser model	12T 4R
Evaporating (W)	25
Fan blade diameter (mm)	300

**COMPRESSOR DATA**

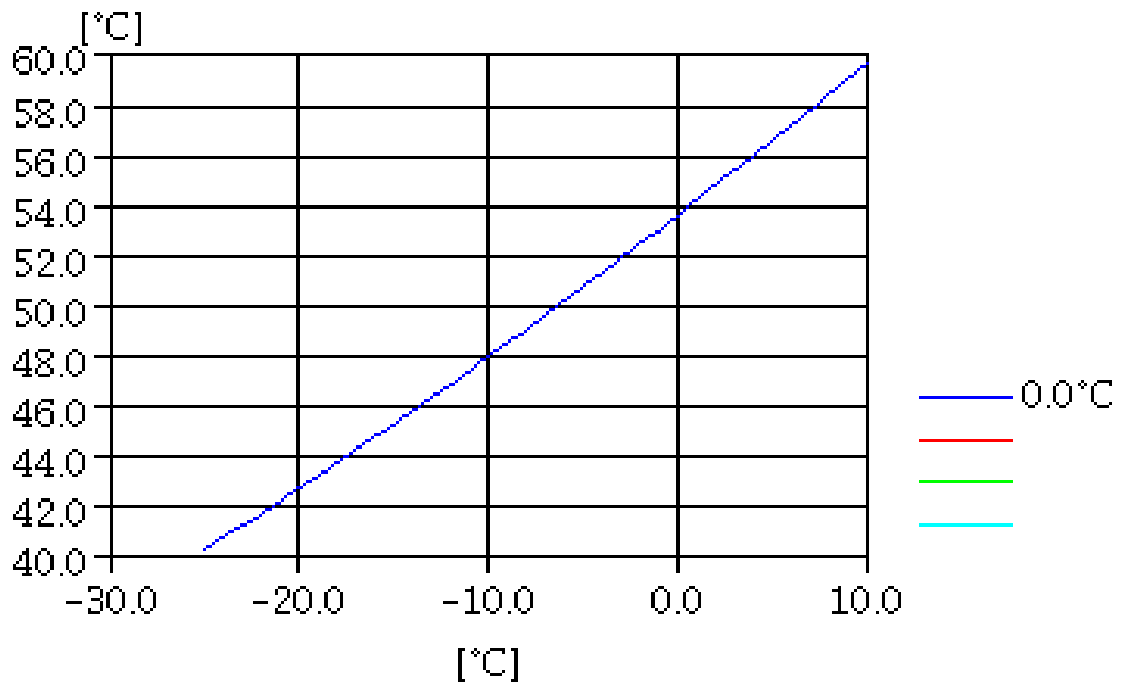
Displacement (cm <sup>3</sup> )	34.42
Bore/Stroke (mm)	42,87/23,85
Motor type	CSR
Voltage/Frequency	220V 50Hz
Voltage range (V)	187-264
Locked rotor current (A)	32.0
Main W. resist. at 25°C (Ω)	1.94
Start W. resist. at 25°C (Ω)	7.44

**VERSIONS**

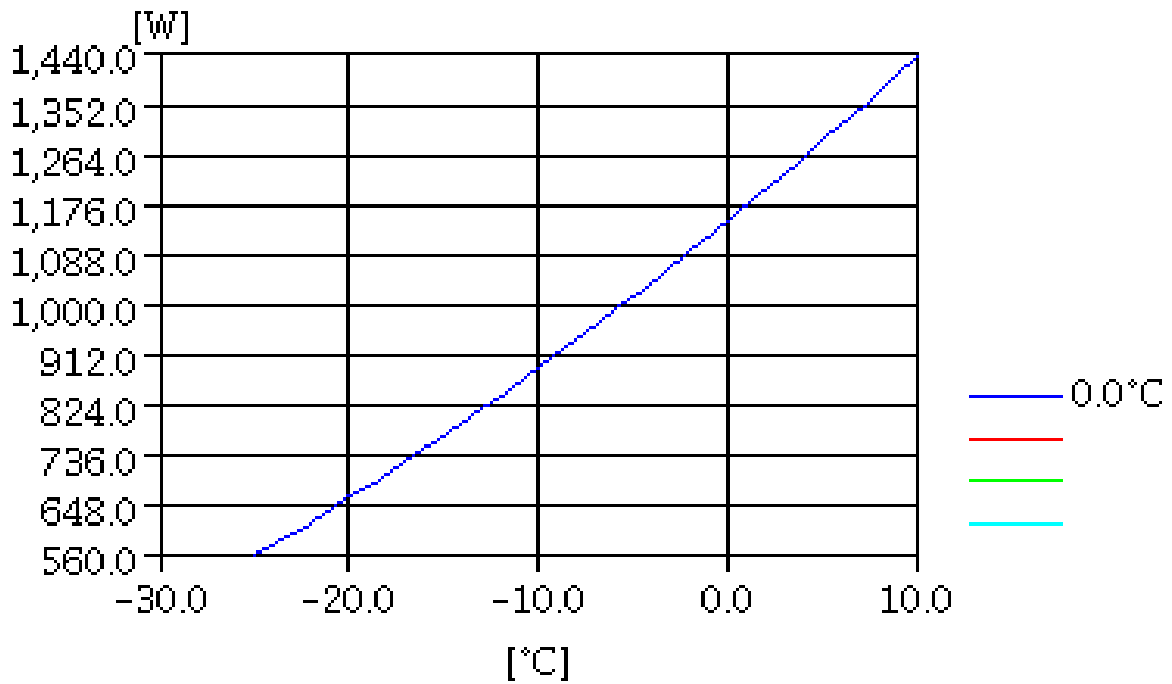
3 -Service valve and receiver (CGS34TB3N)  
 Receiver, approx. vol. 2.55 l  
 Suction tube internal diam. 5/8R in  
 Discharge tube internal diam. 3/8R in

**DIMENSIONS AND ELECTRICAL DIAGRAM**


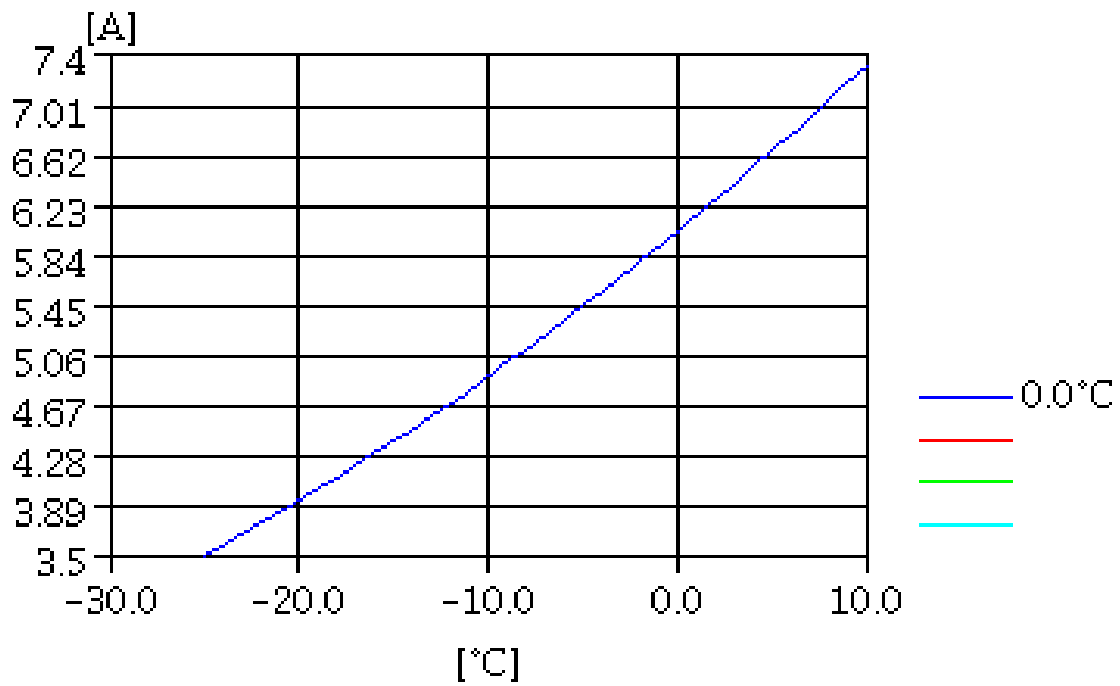
CONDENSING TEMPERATURE



INPUT W



## CONSUMPTION



## COOLING CAPACITY

