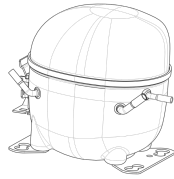


220-240V 50 1~**GENERAL DATA**

Application: MBP
Refrigerant: R404A
Evaporating Temperature Range: -20°C to 10°C
Compressor Cooling: Fan
Fan air flow: 520 m³/h
Type: Hermetic reciprocating
Technology Type: On-Off
Expansion Device: Capillary Tube or Expansion Valve
Packing Quantity: Multi - 28 pcs
Displacement: 14.28 cm³
Horse power: 3.4 hp

Approvals:    

MECHANICAL DATA

Bore: 30.16 mm
Stroke: 20 mm
Oil Charge: 350ml +/-15ml
Free Internal Volume: 2.1 cm³
Maximum Recommended Refrigerant Charge: 350 g
Oil Type Configuration: Polyolester
Oil Type Viscosity: ISO22
Compressor pressurization: Dry air charge
Weight: 12.3 kg

ELECTRICAL DATA

Motor Type: CSR
Starting Torque: HST
Voltage working range at 50 Hz: 198-254 V
Maximum Motor Temperature: 130 °C
Start Winding Resistance: 11.7 Ω (± 10%) at 25°C
Run Winding Resistance: 3.75 Ω (± 10%) at 25°C

MOUNTING ACCESSORIES

	Description	Code
Terminal Board:	no	-
Anchorage:	no	-
Capacitor Bracket:	no	-
Washer:	no	-
Pin:	no	-
Clip:	no	-
Rotolock valve:	no	-
Grommets:	yes	2221011
Sleeves:	yes	2222018
Overload Protector Bracket:	yes	2075299
Cover:	yes	2075278

ELECTRICAL COMPONENTS

	Component type	Description	Code
Start Capacitor:		72-88 MFD 330V	2252270
Starting Device:	Potential relay	RVA403C-123	1253023
Run Capacitor:		15 MFD	2253310
Motor Protection:	External 3/4"	T0188/G9	2321112
CSR / CSIR Box:	yes		1272410

EXTERNAL CHARACTERISTICS

Base Plate: European
Tray Holder: No
Height: 206 mm

	Internal Diameter (mm)	Material	Shape
Suction Connector	8.1	Copper	Slanted 42°
Discharge Connector	6.1	Copper	Straight
Process Connector	6.1	Copper	Slanted 42°

RATED POINT DATA

Cooling Capacity (W)	Power Consumption (W)	Current Consumption (A)	Gas Flow Rate (kg/h)	Efficiency (W/W)
±5%	±5%	±5%	±5%	±7%
2 111	1 000	4.81	59.01	2.11

Test condition: ASHRAE, Fan, Return Gas 35°C, Subcooling 8.3K, Evaporating: 7.2°C, Condensing: 54°C, Ambient: 35°C

PERFORMANCE CURVE DATA

220V 50Hz

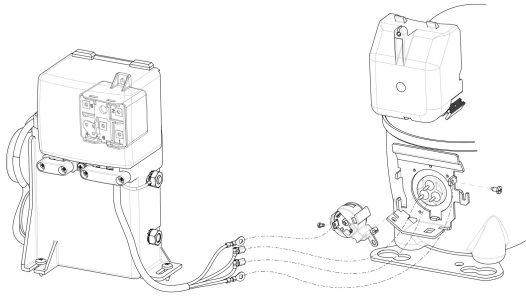
Condensing Temperature (°C)	Evaporating Temperature (°C)	Cooling Capacity (W)	Power Consumption (W)	Current Consumption (A)	Gas Flow Rate (kg/h)	Efficiency (W/W)
		±5%	±5%	±5%	±5%	±7%
35°C	10	3 070	870	4.20	69.92	3.53
	5	2 610	805	3.92	58.73	3.24
	0	2 197	744	3.65	48.92	2.95
	-5	1 831	687	3.39	40.42	2.66
	-10	1 513	635	3.14	33.15	2.38
	-15	1 241	588	2.91	27.04	2.11
	-20	1 017	544	2.69	22.03	1.87

Condensing Temperature (°C)	Evaporating Temperature (°C)	Cooling Capacity (W)	Power Consumption (W)	Current Consumption (A)	Gas Flow Rate (kg/h)	Efficiency (W/W)
		±5%	±5%	±5%	±5%	±7%
45°C	10	2 667	957	4.60	67.38	2.79
	5	2 270	886	4.27	56.61	2.56
	0	1 913	818	3.96	47.15	2.34
	-5	1 594	752	3.66	38.92	2.12
	-10	1 315	690	3.37	31.85	1.91
	-15	1 076	630	3.10	25.88	1.71
	-20	875	572	2.84	20.91	1.53

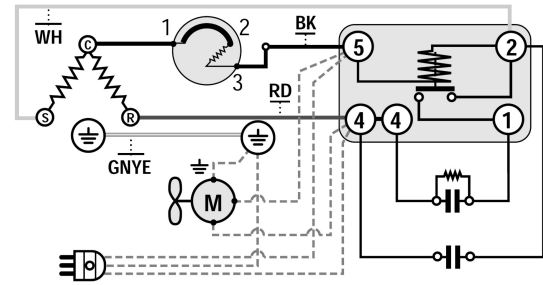
Condensing Temperature (°C)	Evaporating Temperature (°C)	Cooling Capacity (W)	Power Consumption (W)	Current Consumption (A)	Gas Flow Rate (kg/h)	Efficiency (W/W)
		±5%	±5%	±5%	±5%	±7%
55°C	10	2 266	1 054	5.07	64.71	2.15
	5	1 932	974	4.69	54.36	1.98
	0	1 629	896	4.32	45.25	1.82
	-5	1 358	818	3.96	37.30	1.66
	-10	1 118	742	3.61	30.43	1.51

Test condition: ASHRAE, Fan, Return Gas 35°C, Subcooling 8.3K, Ambient: 35°C

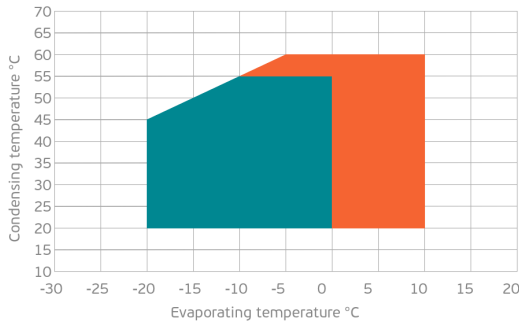
ASSEMBLY INSTRUCTION



WIRING DIAGRAM

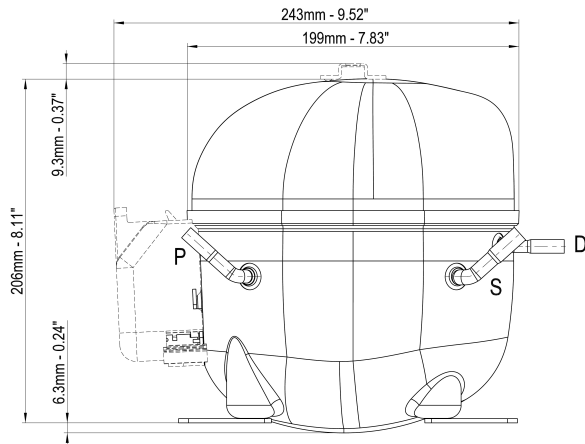


OPERATING ENVELOPE

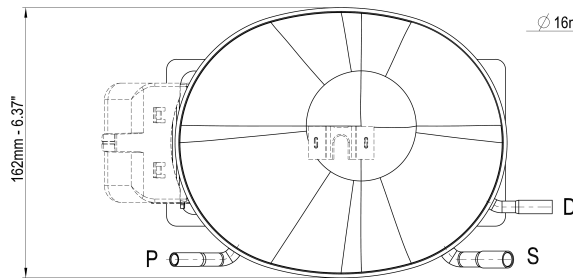


- Operating Condition
- Transient Condition
- Superheating

NOTE: usage of compressors outside of intended working range cannot make use of the warranty, or should be consulted with Technical support.



	∅ mm	∅ in	Material
S - Suction	8.10 - 8.20	0.32	Cu
P - Process	6.10 - 6.20	0.24	Cu
D - Discharge	6.10 - 6.20	0.24	Cu



∅ 16mm - 0.63" (x6)

