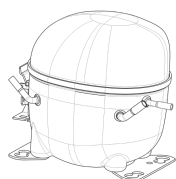


**220-240V 50 1~****GENERAL DATA**

**Application:** LBP  
**Refrigerant:** R600a  
**Evaporating Temperature Range:** -30°C to -5°C  
**Compressor Cooling:** Static  
**Type:** Hermetic reciprocating  
**Technology Type:** On-Off  
**Expansion Device:** Capillary Tube  
**Packing Quantity:** Multi - 74 pcs  
**Displacement:** 14.28 cm<sup>3</sup>  
**Horse power:** 1.4 hp

Approvals:   

**MECHANICAL DATA**

**Bore:** 30.16 mm  
**Stroke:** 20 mm  
**Oil Charge:** 280ml +/-15ml  
**Free Internal Volume:** 2.3 cm<sup>3</sup>  
**Maximum Recommended Refrigerant Charge:** 150 g  
**Oil Type Configuration:** Alkylbenzene  
**Oil Type Viscosity:** ISO5  
**Compressor pressurization:** Without dry air charge  
**Weight:** 10.4 kg

**ELECTRICAL DATA**

**Motor Type:** RSCR  
**Starting Torque:** LST  
**Voltage working range at 50 Hz:** 198-254 V  
**Maximum Motor Temperature:** 130 °C  
**Start Winding Resistance:** 23.2 Ω (± 10%) at 25°C  
**Run Winding Resistance:** 15.2 Ω (± 10%) at 25°C

**MOUNTING ACCESSORIES**

	Description	Code
<b>Terminal Board:</b>	no	-
<b>Overload Protector Bracket:</b>	no	-
<b>Capacitor Bracket:</b>	no	-
<b>Rotolock valve:</b>	no	-
<b>Sleeves:</b>	no	-
<b>Cover:</b>	yes	2075282
<b>Anchorage:</b>	yes	1027058
<b>Grommets:</b>	yes	2221011
<b>Washer:</b>	yes	2211047
<b>Pin:</b>	yes	2037140
<b>Clip:</b>	yes	2220020

**ELECTRICAL COMPONENTS**

	Component type	Description	Code
<b>Run Capacitor:</b>		4 MFD	2253110
<b>Starting Device:</b>	TSD	TSD2 220V	513605512
<b>Motor Protection:</b>	External	4TM222RFBYY-73	2312009

**EXTERNAL CHARACTERISTICS**

**Base Plate:** European  
**Tray Holder:** No  
**Height:** 194 mm

	Internal Diameter (mm)	Material	Shape
<b>Suction Connector</b>	6.1	Copper	Slanted 42°
<b>Discharge Connector</b>	4.86	Copper	Straight
<b>Process Connector</b>	6.1	Copper	Slanted 42°

## RATED POINT DATA

Cooling Capacity (W)	Power Consumption (W)	Current Consumption (A)	Gas Flow Rate (kg/h)	Efficiency (W/W)
±5%	±5%	±5%	±5%	±7%
181	130	0.61	2.35	1.39

**Test condition:** CECOMAF, Static, Return Gas 32°C, Subcooling OK, Evaporating: -25°C, Condensing: 55°C, Ambient: 32°C

## PERFORMANCE CURVE DATA

**220V 50Hz**

Condensing Temperature (°C)	Evaporating Temperature (°C)	Cooling Capacity (W)	Power Consumption (W)	Current Consumption (A)	Gas Flow Rate (kg/h)	Efficiency (W/W)
		±5%	±5%	±5%	±5%	±7%
<b>35°C</b>	-5	599	173	0.81	6.61	3.46
	-10	481	156	0.73	5.29	3.08
	-15	380	141	0.66	4.17	2.70
	-20	295	126	0.60	3.23	2.34
	-25	226	113	0.54	2.48	2.01
	-30	173	100	0.48	1.90	1.73

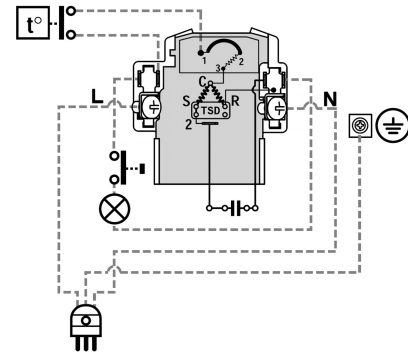
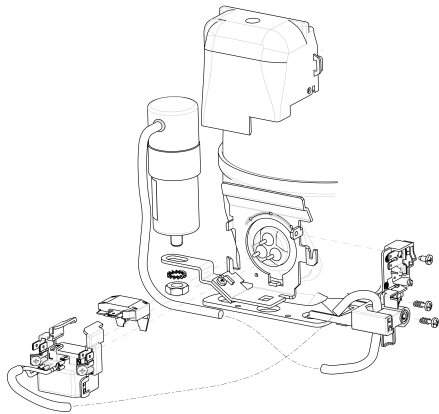
Condensing Temperature (°C)	Evaporating Temperature (°C)	Cooling Capacity (W)	Power Consumption (W)	Current Consumption (A)	Gas Flow Rate (kg/h)	Efficiency (W/W)
		±5%	±5%	±5%	±5%	±7%
<b>45°C</b>	-5	529	193	0.90	6.34	2.74
	-10	427	173	0.81	5.10	2.47
	-15	339	155	0.72	4.05	2.19
	-20	266	138	0.65	3.16	1.92
	-25	206	123	0.58	2.45	1.67
	-30	159	109	0.51	1.89	1.46

Condensing Temperature (°C)	Evaporating Temperature (°C)	Cooling Capacity (W)	Power Consumption (W)	Current Consumption (A)	Gas Flow Rate (kg/h)	Efficiency (W/W)
		±5%	±5%	±5%	±5%	±7%
<b>55°C</b>	-5	464	215	1.00	6.10	2.16
	-10	376	190	0.88	4.92	1.97
	-15	299	168	0.78	3.91	1.78
	-20	234	148	0.69	3.05	1.58
	-25	181	130	0.61	2.35	1.39

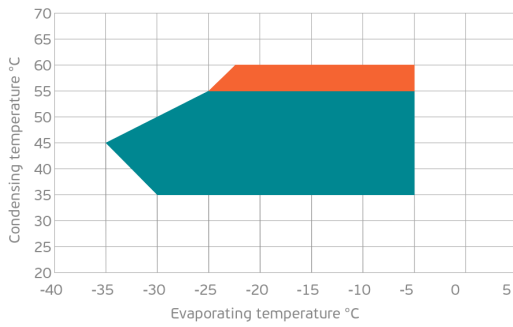
**Test condition:** CECOMAF, Static, Return Gas 32°C, Subcooling OK, Ambient: 32°C

**ASSEMBLY INSTRUCTION**

**WIRING DIAGRAM**

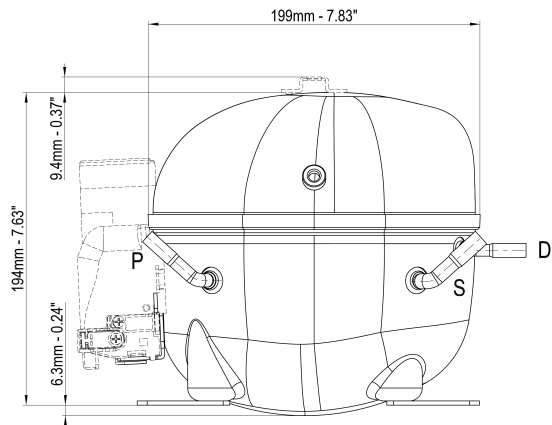


**OPERATING ENVELOPE**



- Operating Condition
- Transient Condition
- Superheating

**NOTE:** usage of compressors outside of intended working range cannot make use of the warranty, or should be consulted with Technical support.



	∅ mm	∅ in	Material
<b>S - Suction</b>	6.10 - 6.20	0.24	Cu
<b>P - Process</b>	6.10 - 6.20	0.24	Cu
<b>D - Discharge</b>	4.86 - 5.03	0.19	Cu

