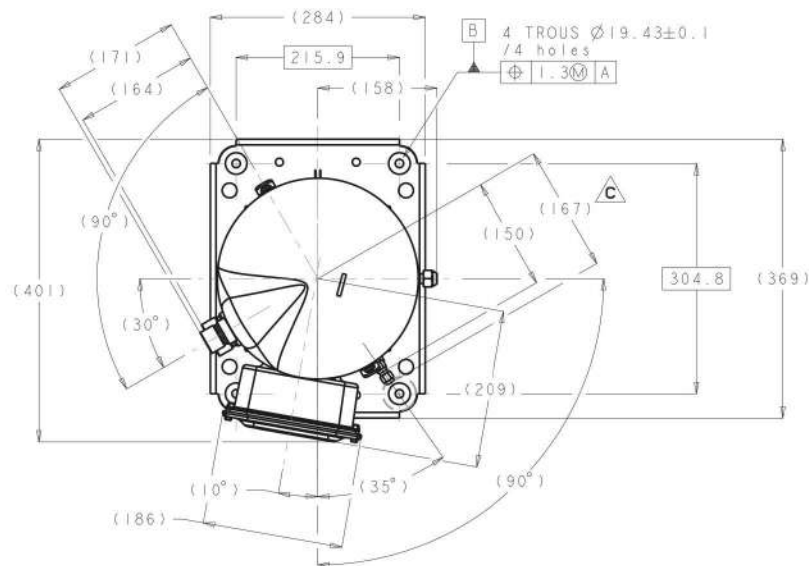


SANS COMPRESSION: (29.5)
/Without compression

AVEC COMPRESSION: (28.0)
/With compression



REFERENCE PIECE / Part number
8551055P01 C.2

			Projection	Scale	Material
C	ECR-2010-2897	30/03/11		1/5	Tol Gen
B	DM 980493	21/10/99			A2
A	DM 980241/980670/980365	19/06/98	 Danfoss Commercial Compressors	Designation	
Mrk	Approval/Rev	Date		S160 - CA OUTLINE	
Replace				ENCOMBREMENT S160-CA	
Design	DPR			No. 8551055	
Approval	BOP		Production print		

Confidential: Property of Danfoss Commercial Compressors. Not to be handed over to copied or used by third party. Two or three dimensional reproduction of contents to be authorized by Danfoss CC.