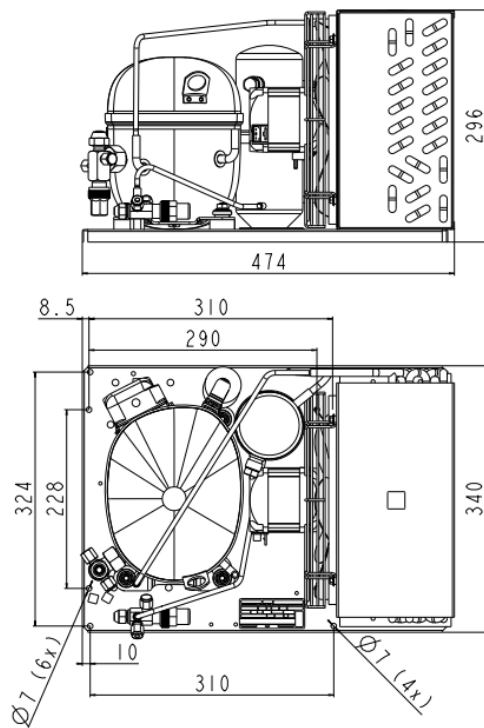


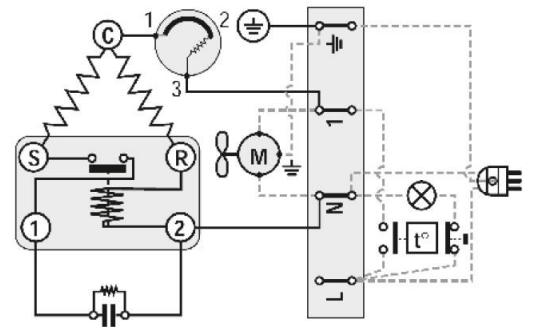
GENERAL DATA

| | |
|-----------------------------|-------------------------|
| Application: | LBP |
| Refrigerant: | R404A |
| Expansion Device: | C-V |
| Weight: | 25.3 kg |
| Receiver: | 0 liter |
| Voltage/Frequency: | 220 - 240 V 50 ~ |
| Height: | 25.3 mm |
| Length: | 474 mm |
| Width: | 340 mm |
| Institute Approvals: | CE |

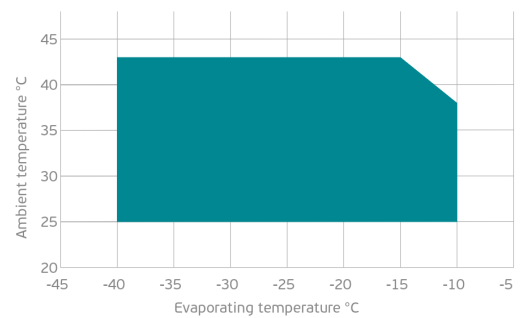
EXTERNAL DIMENSIONS



WIRING DIAGRAM



OPERATING ENVELOPE



COMPONENTS (SPARE PARTS)

| | | |
|--------------------|---------------|-------------|
| fankit: | 16W 254/28/5B | 1996610 |
| compressor: | NT2180GK | 923HA04..AC |

| | | |
|-------------------|----------------|------------|
| condenser: | 4R11T | 2451217 |
| elkit: | ELKOM NT2180GK | 923HA0412A |

For additional accessories please contact our technical support

ELECTRICAL DATA

Motor Type: CSIR -
Locked Rotor Amperage (LRA): 35 A
Max.Current: 5.8 A

At maximum evaporating temperature and maximum ambient temperature.

FAN MOTOR

Number: 1 -
Shaft Power: 16 W
Air Flow: 460 m³/h
Blade Diameter: 254 mm

PERFORMANCE CURVE DATA

Standard: EN13215-RG20 / return gas 20°C, subcooling 3K

50 Hz

| | Evaporating Temperature (°C) | Cooling Capacity (W) | Power Consumption (W) | Current Consumption (A) | Efficiency (W/W) |
|-------------------------------------|------------------------------|----------------------|-----------------------|-------------------------|------------------|
| 25 °C Ambient Temperature | -10°C | 1 516 | 1 012 | 6.08 | 1.50 |
| | -15°C | 1 315 | 892 | 5.64 | 1.47 |
| | -20°C | 1 124 | 792 | 5.29 | 1.42 |
| | -25°C | 944 | 706 | 5.01 | 1.34 |
| | -30°C | 777 | 633 | 4.77 | 1.23 |
| | Rated point -35°C | 624 | 568 | 4.57 | 1.10 |
| | -40°C | 485 | 509 | 4.38 | 0.95 |
| 32 °C Ambient Temperature | -10°C | 1 467 | 1 045 | 6.18 | 1.40 |
| | -15°C | 1 264 | 928 | 5.72 | 1.36 |
| | -20°C | 1 072 | 826 | 5.34 | 1.30 |
| | -25°C | 892 | 736 | 5.04 | 1.21 |
| | -30°C | 724 | 655 | 4.78 | 1.11 |
| | Rated point -35°C | 570 | 578 | 4.56 | 0.99 |
| | -40°C | 431 | 503 | 4.35 | 0.86 |
| 43 °C Ambient Temperature | -15°C | 1 071 | 977 | 5.88 | 1.10 |
| | -20°C | 891 | 872 | 5.47 | 1.02 |
| | -25°C | 723 | 774 | 5.13 | 0.93 |
| | -30°C | 568 | 678 | 4.85 | 0.84 |
| | Rated point -35°C | 427 | 581 | 4.59 | 0.73 |
| | -40°C | 301 | 480 | 4.36 | 0.63 |