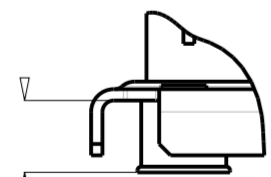


VUE SUIVANT F
View following F

PLOT CAOUTCHOUC
/Rubber grommet



SANS COMPRESSION: 38
/Without compression

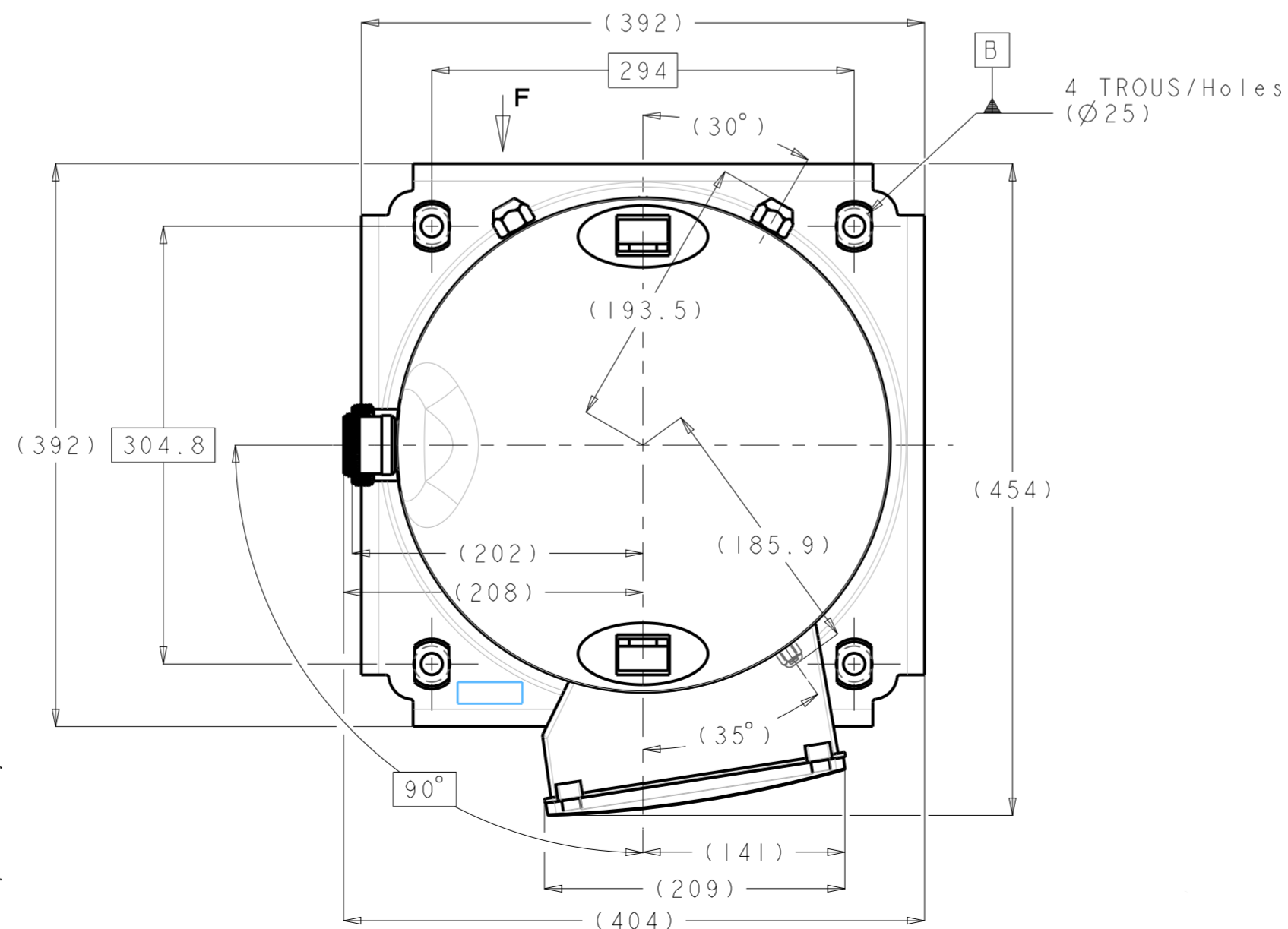
AVEC COMPRESSION: (36)
/With compression

NOTE:

1. COMPRESSEUR EQUIPE DE CLAPET ANTI-RETOUR.

Note:

1. Compressor equipped with non return valve.



REFERENCE PIECE / Part number	
8556099P01	B

			Projection \oplus	Scale 1/4	Material ToI Gen	A2
B	ECR-2010-2897	03/03/11	 Danfoss Commercial Compressors	Designation SZ/SY300 Outline rotalock ENCOMBREMENT ROTALOCK SZ/SY300		
A	ECR-2010-2588	30/10/10				
Mrk.	Approval/Rev	Date				
Replace						
Design	JAP					
Approva	BOP					
<small>Confidential: Property of Danfoss Commercial Compressors. Not to be handed over to copied or used by third party. Two or three dimensional reproduction of contents to be authorized by Danfoss CC.</small>				No. 8556099	B	
				Production print		