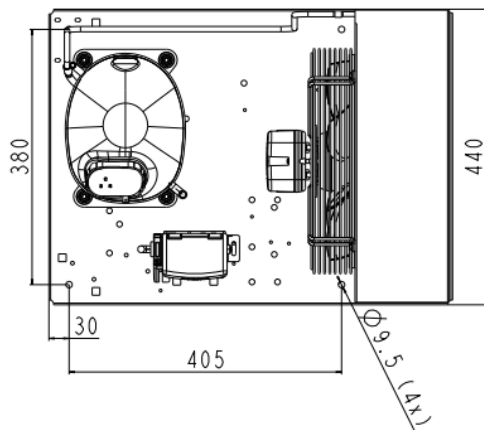
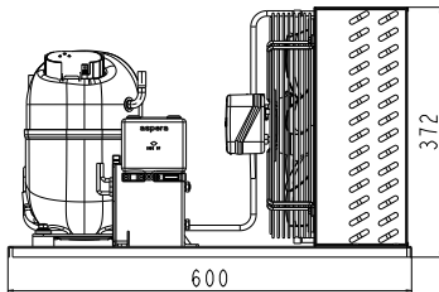


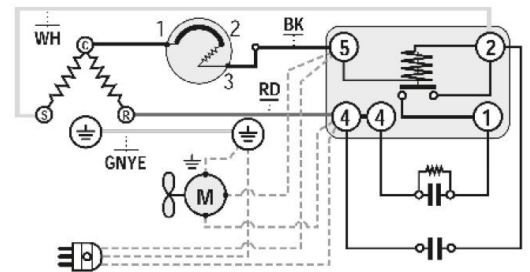
GENERAL DATA

Application:	M/HBP
Refrigerant:	R404A
Expansion Device:	C-V
Weight:	46.8 kg
Receiver:	0 liter
Voltage/Frequency:	230 V 50 ~
Height:	46.8 mm
Length:	600 mm
Width:	440 mm
Institute Approvals:	CE

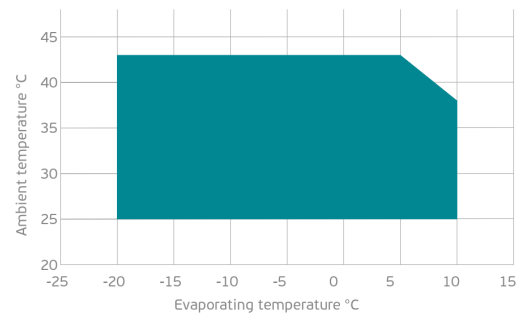
EXTERNAL DIMENSIONS



WIRING DIAGRAM



OPERATING ENVELOPE



COMPONENTS (SPARE PARTS)

fankit:	S4E300-XX	1996589
elkit:	ELKOM NJ9238GK	943RV1904A

condenser:	4R14T	2451199
compressor:	NJ9238GK	943RV11...AC

For additional accessories please contact our technical support

ELECTRICAL DATA

Motor Type: CSR -
Locked Rotor Amperage (LRA): 43 A
Max.Current: 10.1 A

At maximum evaporating temperature and maximum ambient temperature.

FAN MOTOR

Number: 1 -
Shaft Power: 95 W
Air Flow: 1300 m³/h
Blade Diameter: - mm

PERFORMANCE CURVE DATA

Standard: EN13215-RG20 / return gas 20°C, subcooling 3K

50 Hz

	Evaporating Temperature (°C)	Cooling Capacity (W)	Power Consumption (W)	Current Consumption (A)	Efficiency (W/W)
25 °C Ambient Temperature	10°C	4 581	2 422	11.24	1.89
	5°C	4 185	2 177	10.11	1.92
	0°C	3 769	1 954	9.11	1.93
	-5°C	3 334	1 754	8.23	1.90
	Rated point -10°C	2 884	1 574	7.47	1.83
	-15°C	2 420	1 416	6.82	1.71
	-20°C	1 943	1 277	6.27	1.52
32 °C Ambient Temperature	10°C	4 178	2 492	11.56	1.68
	5°C	3 801	2 246	10.43	1.69
	0°C	3 413	2 020	9.43	1.69
	-5°C	3 015	1 815	8.53	1.66
	Rated point -10°C	2 609	1 629	7.73	1.60
	-15°C	2 196	1 461	7.04	1.50
	-20°C	1 779	1 311	6.44	1.36
43 °C Ambient Temperature	5°C	3 497	2 285	10.60	1.53
	0°C	3 081	2 065	9.62	1.49
	-5°C	2 668	1 861	8.73	1.43
	Rated point -10°C	2 259	1 674	7.92	1.35
	-15°C	1 857	1 501	7.20	1.24
	-20°C	1 462	1 343	6.56	1.09