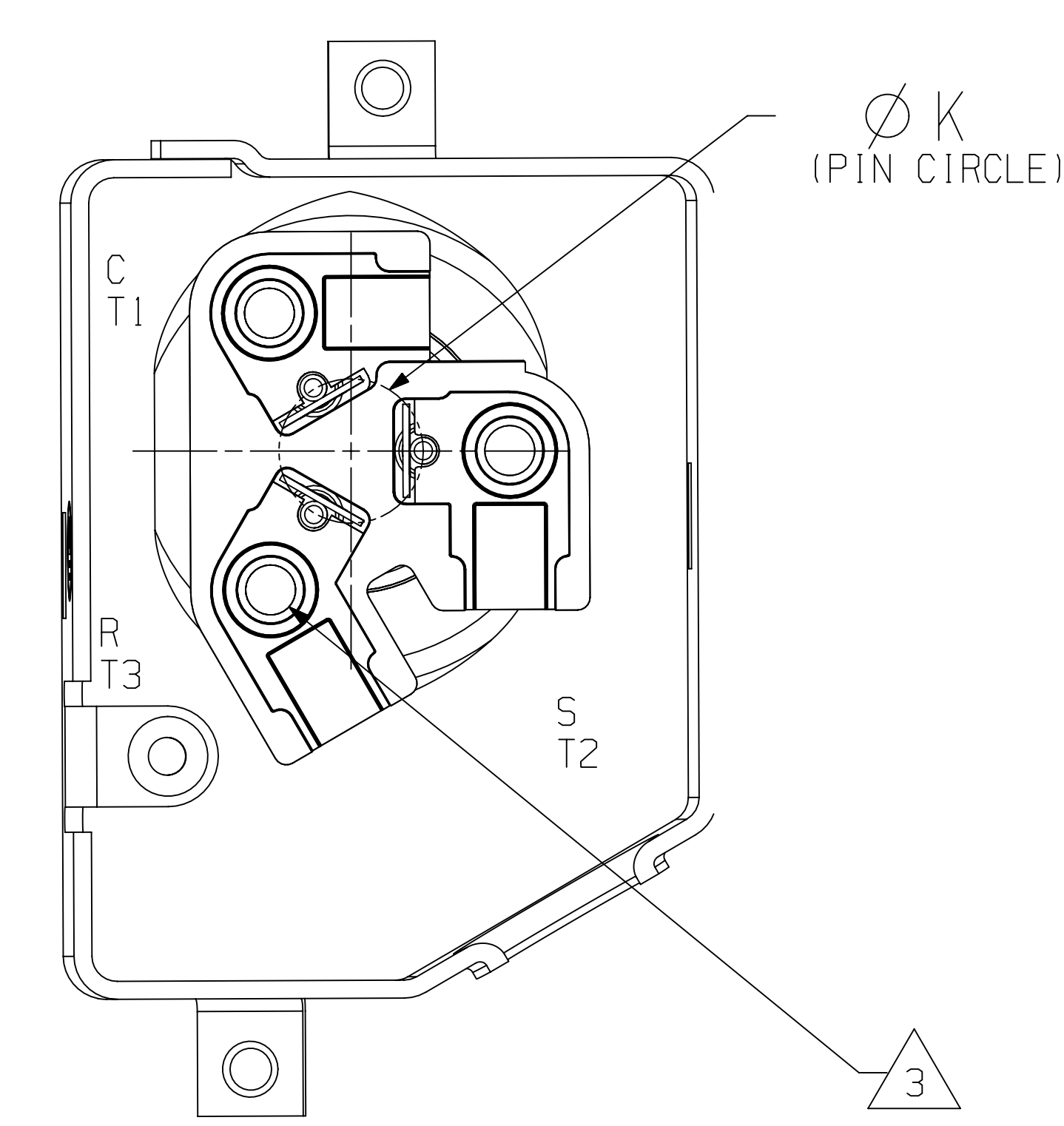
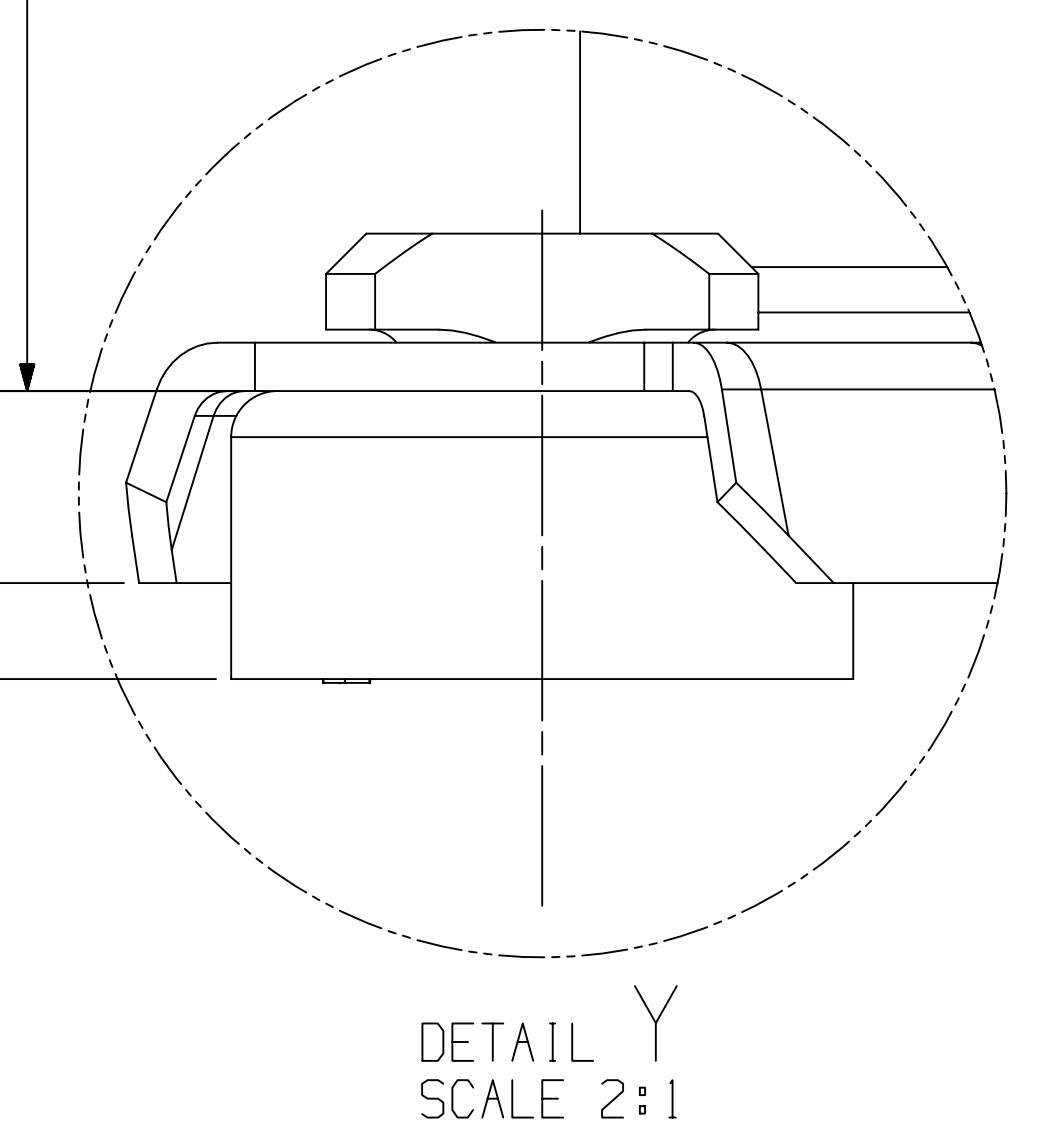
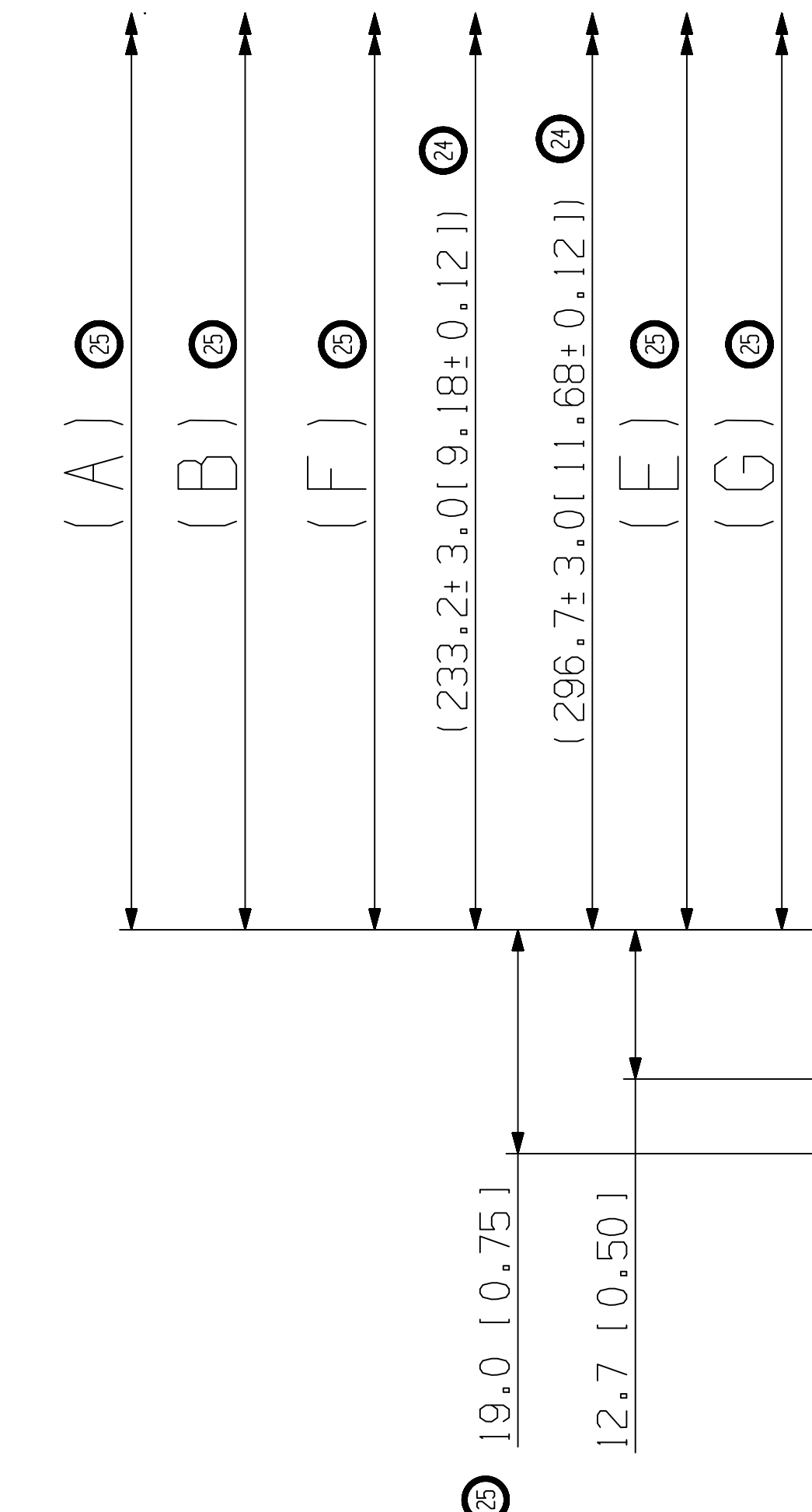


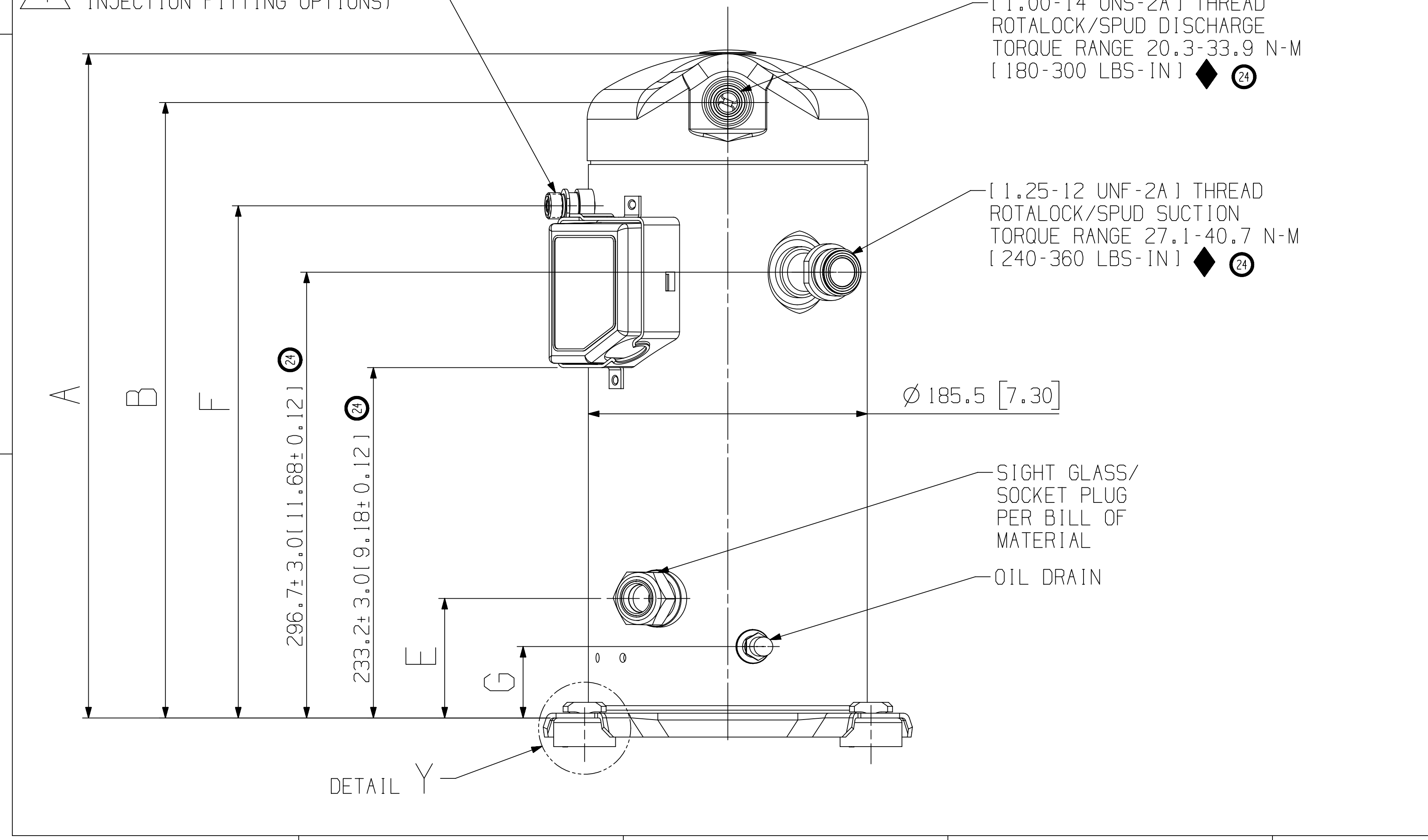
MOTOR TYPE	Ø K PIN CIRCLE
PFJ PFV TF5	13.46 [0.530]
TFD TFE TF7	17.45 [0.687]



TERMINAL BOX LAYOUT OPTIONS
TERMINAL BOX COVER NOT SHOWN
SECTION A-A
SCALE 3:2



DETAIL Y
SCALE 2:1



ECN300410	25	CHANGED DIMENSIONS	05-25-17	OSP	PR1	BE
ECN100339	24	REDRAWN WITH CHANGES	01-14-16	OSP	JSK	PMM
32-1198-023	0	RELEASED	01-28-99	AJA	DAM	
ENG NOTICE NO.	REV.NO.	REVISIONS	DATE	BY	CHKD	APPR
CONFIDENTIALITY NOTICE						
THIS DRAWING AND INFORMATION CONTAINED HEREIN ARE THE EXCLUSIVE PROPERTY OF EMERSON CLIMATE TECHNOLOGIES, INC. AND SHALL BE RETURNED UPON DEMAND AND SHALL NOT BE REPRODUCED IN WHOLE OR IN PART DISCLOSED TO ANYONE ELSE OR USED, WITHOUT THE WRITTEN CONSENT OF EMERSON CLIMATE TECHNOLOGIES, INC.						
MATERIAL SPECIFICATION		DRAWN BY	SUPERSEDES DWG. NO. / REV. NO.			
N/A		OSP	497-3544-00/023			
		DATE	SCALE	DATE FORMAT:		
		01-14-16	1:2	MM-DD-YY		
TITLE		DRAWING NUMBER	SHEET 2 OF 5		DWG	
REF DWG-WELD COMP ASSM		497-3544-00			4	
		UNCONTROLLED - DO NOT MODIFY		1		

EMERSON
Climate Technologies

Copeland
brand products

INTERPRET PER ASME Y14.5M-1994 AND EMERSON CLIMATE TECHNOLOGIES, INC. DESIGN STANDARDS DS2002

DO NOT SCALE DRAWING

THIRD ANGLE PROJECTION

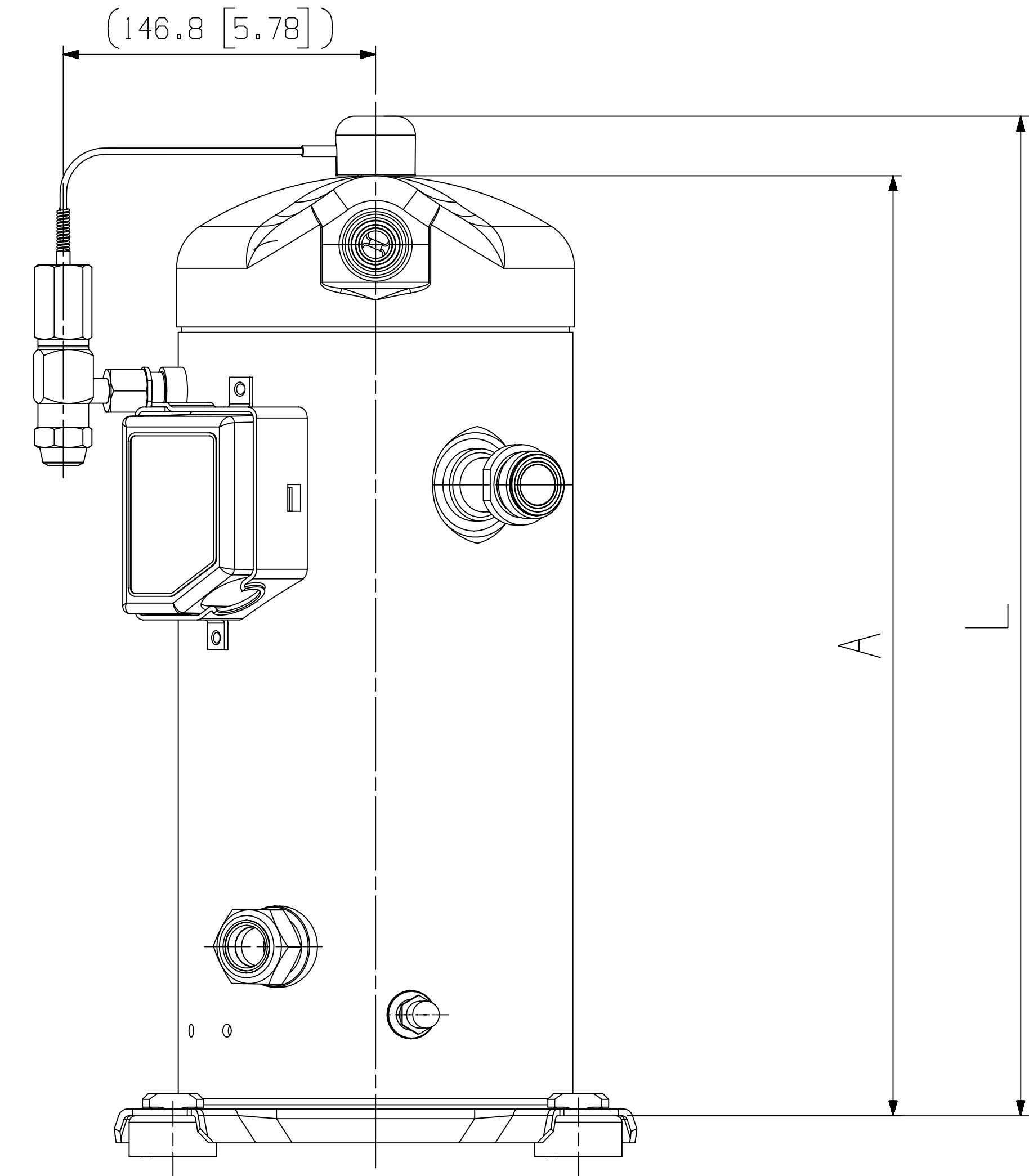
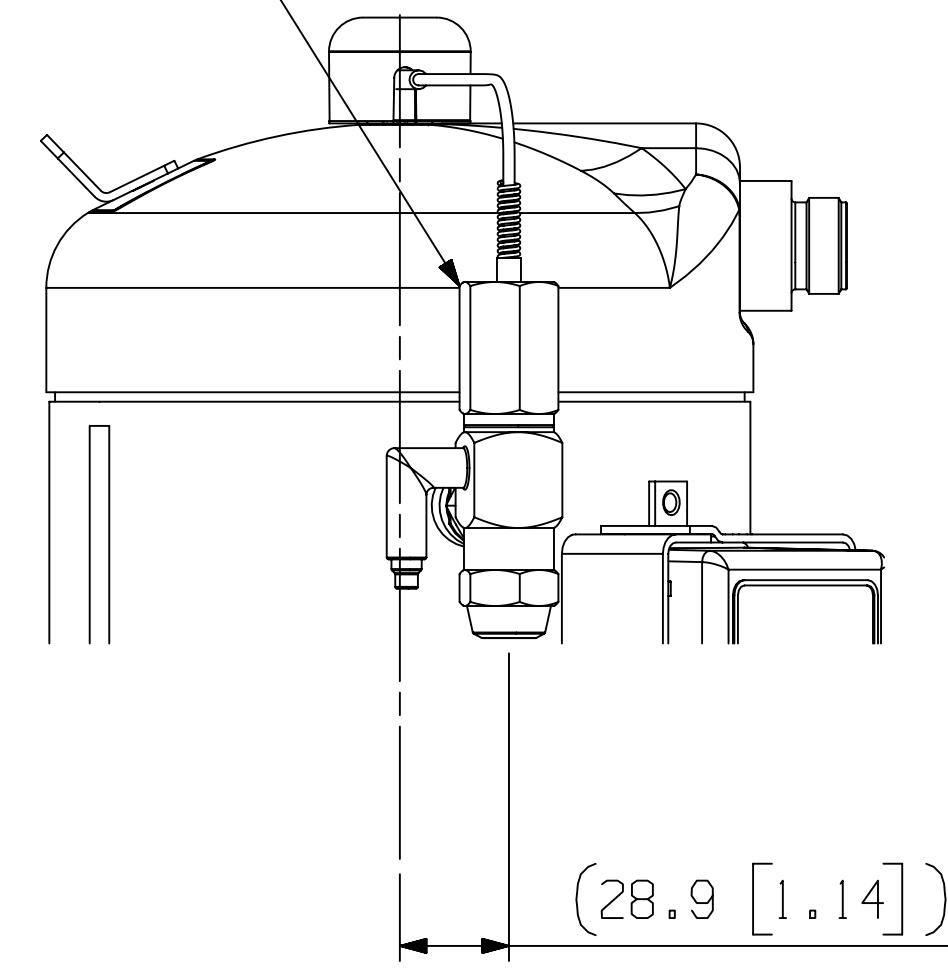
CRITICAL PRODUCT CHARACTERISTICS

UNLESS OTHERWISE SPECIFIED DIMENSIONS ARE MILLIMETER OR (1 INCH) TOLERANCES:

1-PLACE ±
2-PLACE ±
ANGULAR ± 0.5°

© COPYRIGHT EMERSON CLIMATE TECHNOLOGIES, INC. - CONFIDENTIAL

25 DTC VALVE TO BE INSTALLED BY CUSTOMER



25 LIQUID INJECTION MODELS ONLY

EMERSON
Climate Technologies

Copeland
brand products

INTERPRET PER ASME Y14.5M-1994 AND EMERSON CLIMATE TECHNOLOGIES, INC. DESIGN STANDARDS DS2002

DO NOT SCALE DRAWING

THIRD ANGLE PROJECTION

CRITICAL PRODUCT CHARACTERISTICS

UNLESS OTHERWISE SPECIFIED DIMENSIONS ARE MILLIMETER OR (1 INCH)

TOLERANCES:
1-PLACE ±
2-PLACE ±
ANGULAR ± 0.5°

1 25

ECN300410	25	ADDED NOTES	05-25-17	OSP	PR1	BE
ECN100339	24	REDRAWN WITH CHANGES	01-14-16	OSP	JSK	PMM
32-1198-023	0	RELEASED	01-28-99	AJA	DAM	
ENG NOTICE NO.	REV.NO.	REVISIONS	DATE	BY	CHKD	APPR
CONFIDENTIALITY NOTICE						
THIS DRAWING AND INFORMATION CONTAINED HEREIN ARE THE EXCLUSIVE PROPERTY OF EMERSON CLIMATE TECHNOLOGIES, INC. AND SHALL BE RETURNED UPON DEMAND AND SHALL NOT BE REPRODUCED IN WHOLE OR IN PART DISCLOSED TO ANYONE ELSE OR USED, WITHOUT THE WRITTEN CONSENT OF EMERSON CLIMATE TECHNOLOGIES, INC.						
MATERIAL SPECIFICATION			DRAWN BY		SUPERSEDES DWG. NO. / REV. NO.	
N/A			OSP		497-3544-00/023	
			DATE		SCALE	
			01-14-16		1:2	
TITLE			DRAWING NUMBER		SHEET 3 OF 5	
REF DWG-WELD COMP ASSM			497-3544-00		4	
					SIZE	

8

7

6

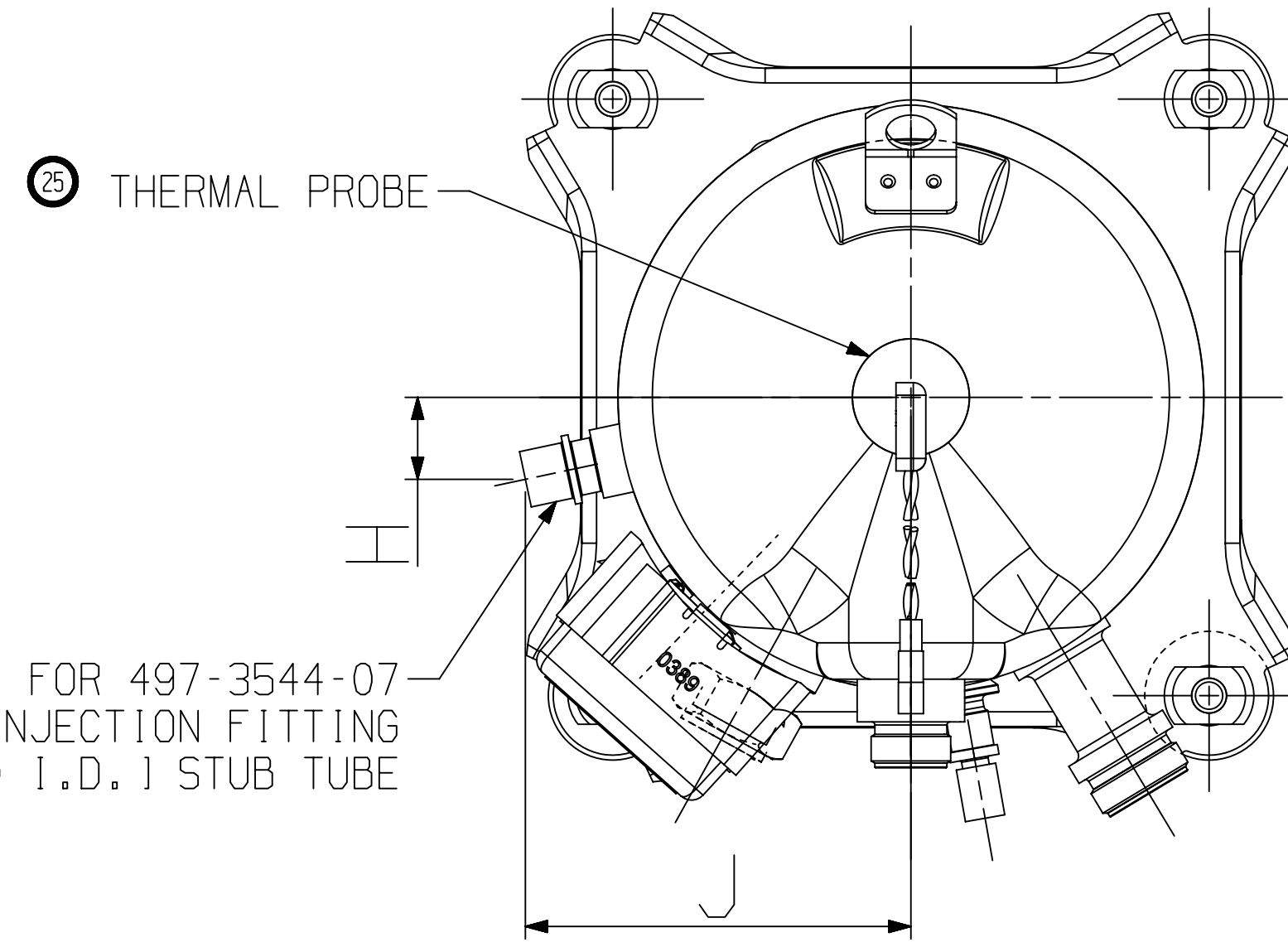
5

4

3

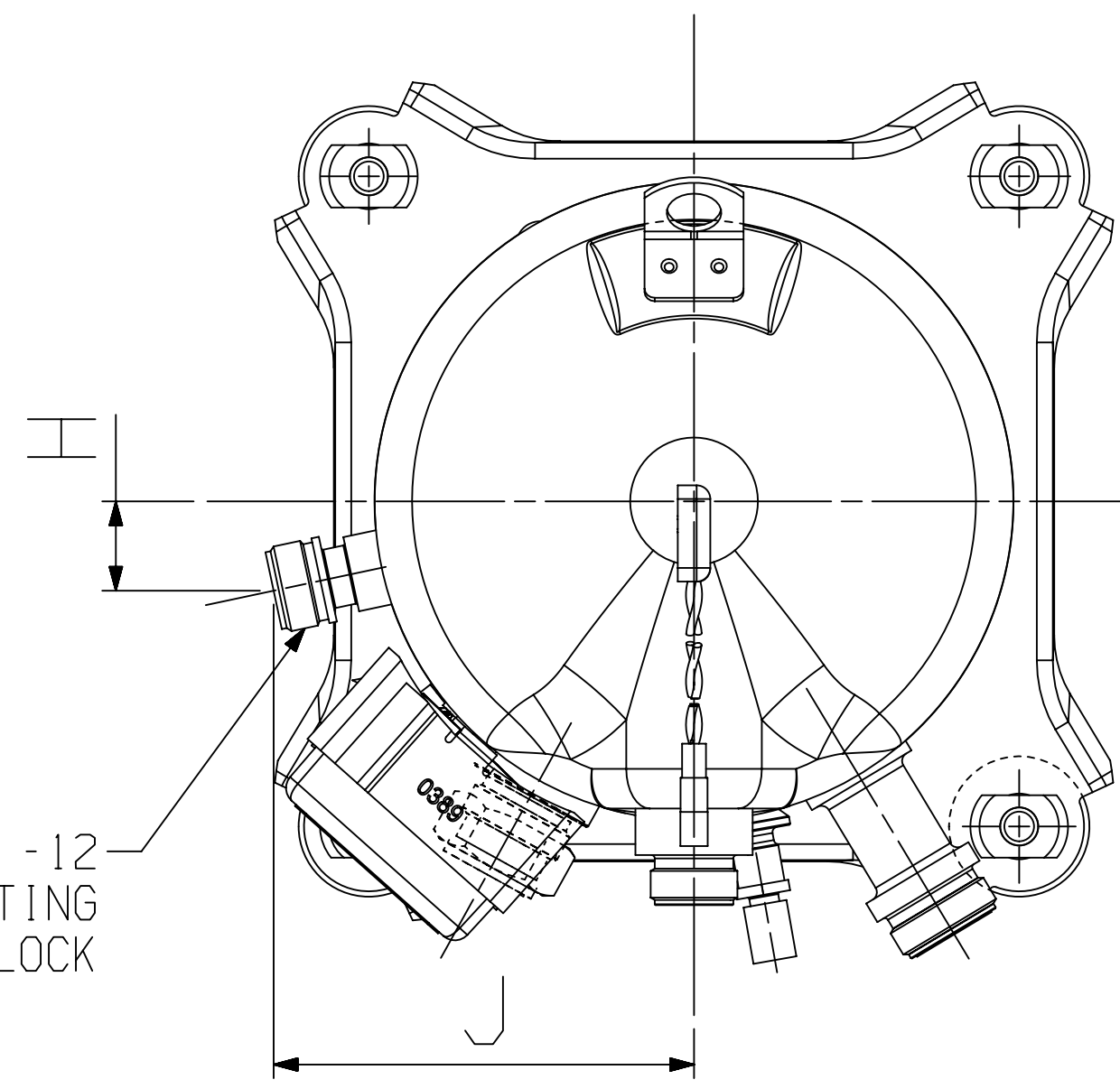
2

1

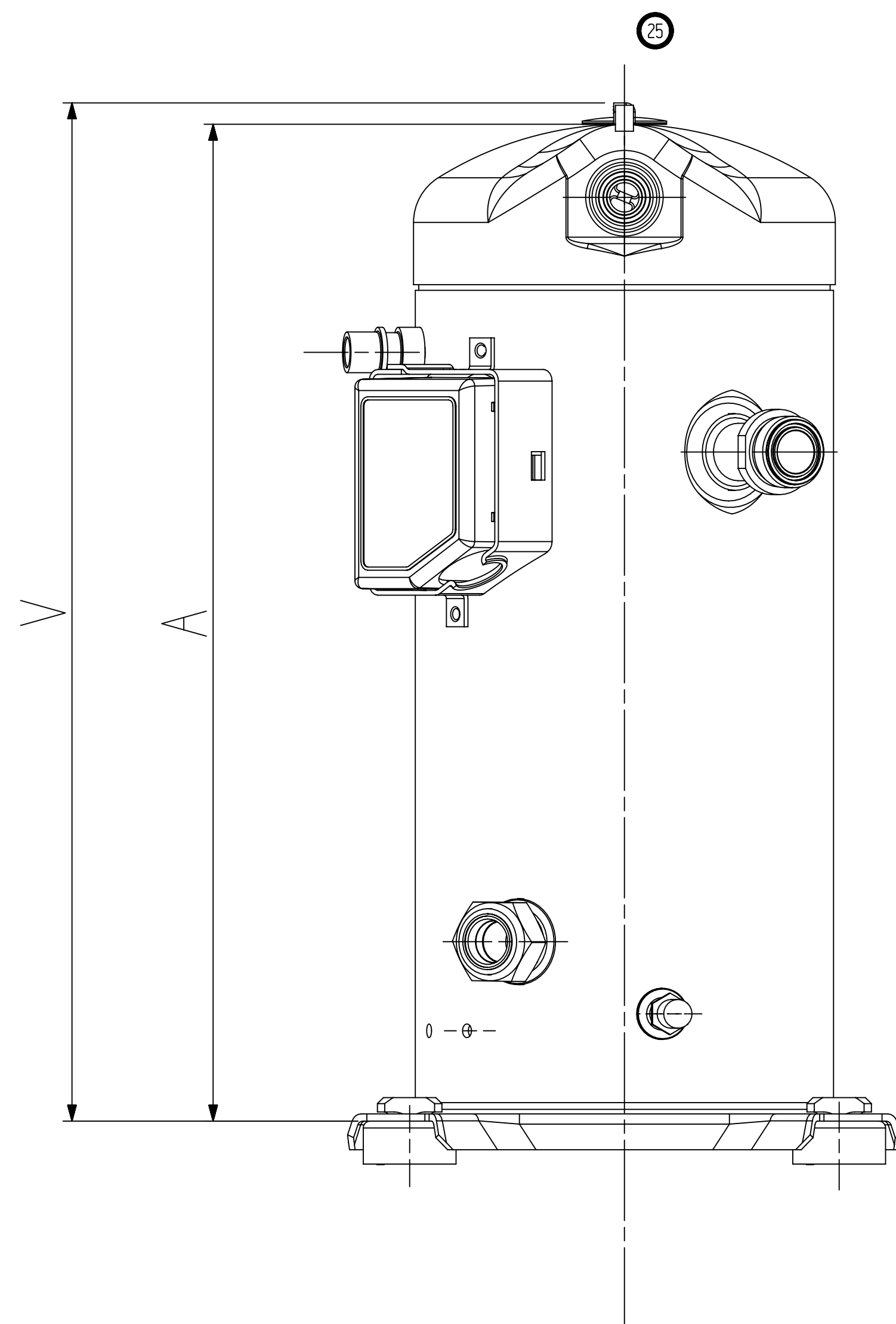


23 THERMAL PROBE

24 FOR 497-3544-07
VAPOR INJECTION FITTING
[0.50 I.D.] STUB TUBE



25 FOR 497-3544-04 & -12
VAPOR INJECTION FITTING
[1.00-14 UNS 2A] ROTALOCK



25 VAPOR INJECTION MODELS ONLY

8

7

6

5

4

3

2

1

EMERSON
Climate Technologies

Copeland
brand products

INTERPRET PER ASME
Y14.5M-1994 AND
EMERSON CLIMATE
TECHNOLOGIES, INC.
DESIGN STANDARDS DS2002

DO NOT SCALE DRAWING

THIRD ANGLE
PROJECTION

CRITICAL PRODUCT
CHARACTERISTICS

UNLESS OTHERWISE SPECIFIED
DIMENSIONS ARE MILLIMETER OR (1 INCH)
TOLERANCES:
1-PLACE ±
2-PLACE ±
ANGULAR ± 0.5°

ENG NOTICE NO.	REV.NO.	REVISIONS	DATE	BY	CHKD	APPR
ECN300410	25	ADDED NOTES	05-25-17	OSP	PR1	BE
ECN100339	24	REDRAWN WITH CHANGES	01-14-16	OSP	JSK	PMM
32-1198-023	0	RELEASED	01-28-99	AJA	DAM	

CONFIDENTIALITY NOTICE

THIS DRAWING AND INFORMATION CONTAINED HEREIN ARE THE EXCLUSIVE PROPERTY OF EMERSON CLIMATE TECHNOLOGIES, INC. AND SHALL BE RETURNED UPON DEMAND AND SHALL NOT BE REPRODUCED IN WHOLE OR IN PART DISCLOSED TO ANYONE ELSE OR USED, WITHOUT THE WRITTEN CONSENT OF EMERSON CLIMATE TECHNOLOGIES, INC.

MATERIAL SPECIFICATION	DRAWN BY	SUPERSEDES DWG. NO. / REV. NO.
N/A	OSP	497-3544-00/023
	DATE	SCALE
	01-14-16	1:2
TITLE	DRAWING NUMBER	SHEET 4 OF 5
REF DWG-WELD COMP ASSM	497-3544-00	4
		SIZE

© COPYRIGHT EMERSON CLIMATE TECHNOLOGIES, INC. - CONFIDENTIAL

UNCONTROLLED - DO NOT MODIFY

D

C

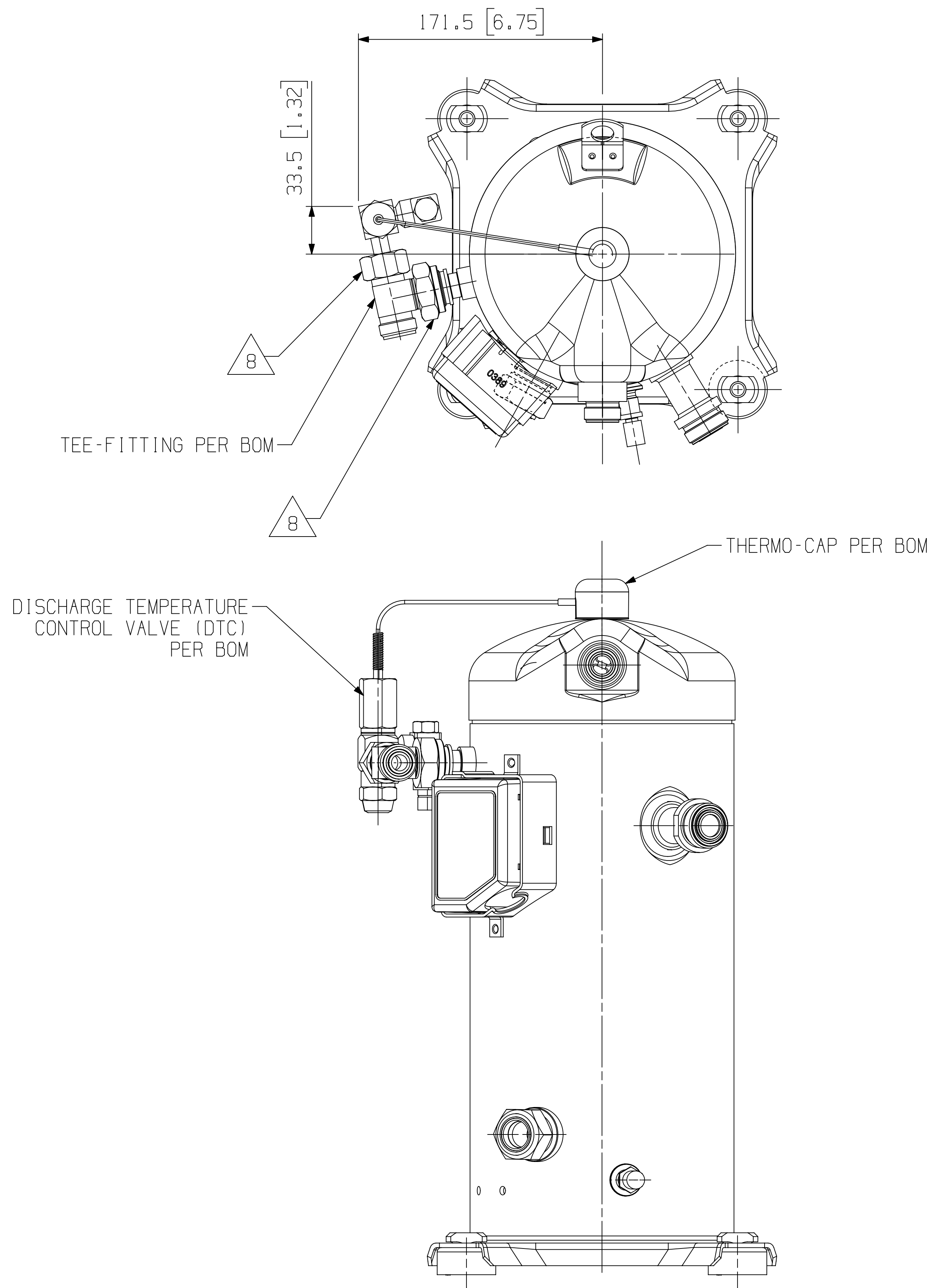
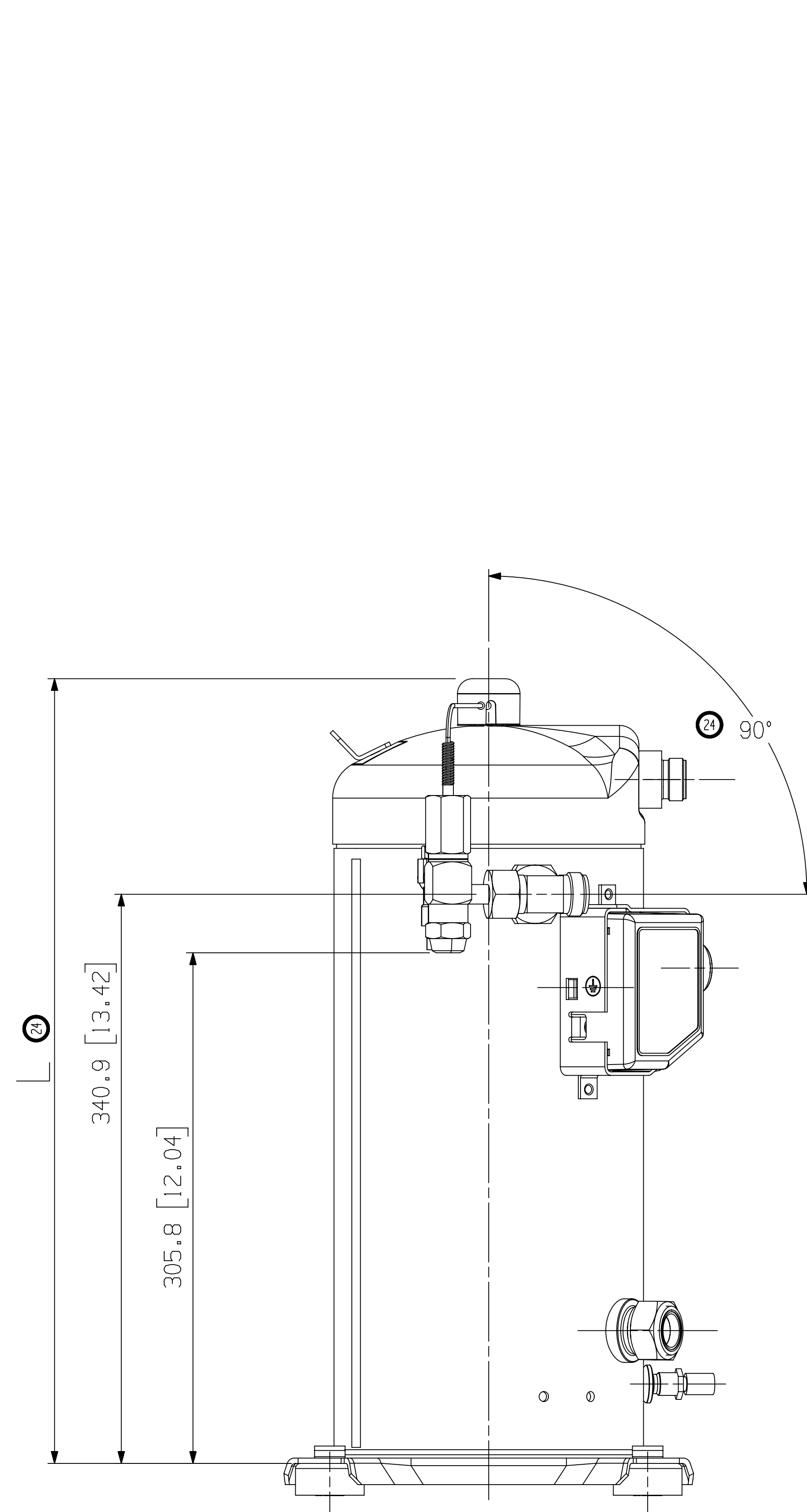
B

A

D

C

© COPYRIGHT EMERSON CLIMATE TECHNOLOGIES, INC. - CONFIDENTIAL



Ⓢ VAPOR INJECTION MODELS ONLY

EMERSON
Climate Technologies

Copeland
brand products

INTERPRET PER ASME
Y14.5M-1994 AND
EMERSON CLIMATE
TECHNOLOGIES, INC.
DESIGN STANDARDS DS2002

DO NOT SCALE DRAWING

THIRD ANGLE
PROJECTION

CRITICAL PRODUCT
CHARACTERISTICS

UNLESS OTHERWISE SPECIFIED
DIMENSIONS ARE MILLIMETER OR (1 INCH)

TOLERANCES:
1-PLACE ±
2-PLACE ±
ANGULAR ± 0.5°

1

Ⓢ

ENG NOTICE NO.	REV.NO.	REVISIONS	DATE	BY	CHKD	APPR
ECN300410	25	ADDED NOTE	05-25-17	OSP	PR1	BE
ECN100339	24	REDRAWN WITH CHANGES	01-14-16	OSP	JSK	PMM
32-1198-023	0	RELEASED	01-28-99	AJA	DAM	

CONFIDENTIALITY NOTICE

THIS DRAWING AND INFORMATION CONTAINED HEREIN ARE THE EXCLUSIVE PROPERTY OF EMERSON CLIMATE TECHNOLOGIES, INC. AND SHALL BE RETURNED UPON DEMAND AND SHALL NOT BE REPRODUCED IN WHOLE OR IN PART DISCLOSED TO ANYONE ELSE OR USED, WITHOUT THE WRITTEN CONSENT OF EMERSON CLIMATE TECHNOLOGIES, INC.

MATERIAL SPECIFICATION	DRAWN BY	SUPERSEDES DWG. NO. / REV. NO.
N/A	OSP	497-3544-00/023
	DATE	SCALE
	01-14-16	1:2
TITLE	DRAWING NUMBER	SHEET 5 OF 5
REF DWG-WELD COMP ASSM	497-3544-00	4
	SIZE	