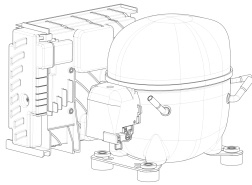


**220-240V 1~****GENERAL DATA**

**Application:** MBP  
**Refrigerant:** R404A  
**Evaporating Temperature Range:** -20°C to 10°C  
**Compressor Cooling:** Fan  
**Fan air flow:** 520 m<sup>3</sup>/h  
**Type:** Hermetic reciprocating  
**Technology Type:** VCC  
**Expansion Device:** Capillary Tube or Expansion Valve  
**Packing Quantity:** Multi - 40 pcs  
**Displacement:** 6.2 cm<sup>3</sup>

Approvals:   

**MECHANICAL DATA**

**Bore:** 20.87 mm  
**Stroke:** 18.12 mm  
**Oil Charge:** 500ml +/-15ml  
**Free Internal Volume:** 2.1 cm<sup>3</sup>  
**Maximum Recommended Refrigerant Charge:** 350 g  
**Oil Type Configuration:** Polyolester  
**Oil Type Viscosity:** ISO22  
**Compressor pressurization:** Dry air charge  
**Weight:** 14.2 kg

**ELECTRICAL DATA**

**Motor Type:** BPM  
**Starting Torque:** HST  
**Voltage working range at 50 Hz:** 150 (160)-240 V  
**Voltage working range at 60 Hz:** 150 (160) V  
**Maximum Motor Temperature:** 130 °C  
**Start Winding Resistance:** 3.82 Ω (± 10%) at 25°C  
**Run Winding Resistance:** 2.53 Ω (± 10%) at 25°C  
**Locked Rotor Amperage (LRA):** 6 A

**MOUNTING ACCESSORIES**

	Description	Code
<b>Terminal Board:</b>	no	-
<b>Capacitor Bracket:</b>	no	-
<b>Grommets:</b>	yes	2221004
<b>Sleeves:</b>	yes	2222016
<b>Washer:</b>	no	-
<b>Pin:</b>	no	-
<b>Clip:</b>	no	-
<b>Rotolock valve:</b>	no	-
<b>Cover:</b>	yes	2075282
<b>Anchorage:</b>	yes	1027058
<b>Overload Protector Bracket:</b>	yes	2075299

**ELECTRICAL COMPONENTS**

	Component type	Description	Code
<b>Inverter:</b>	HP DROP IN	800W 220V	519302007
<b>Motor Protection:</b>	External 3/4"	MST20AMK-3166	2288317

**EXTERNAL CHARACTERISTICS**

**Base Plate:** Universal  
**Tray Holder:** No  
**Height:** 206 mm

	Internal Diameter (mm)	Material	Shape
<b>Suction Connector</b>	8.1	Copper	Slanted 42°
<b>Discharge Connector</b>	6.45	Copper	Straight
<b>Process Connector</b>	6.45	Copper	Slanted 42°



**RATED POINT DATA**

Cooling Capacity (W)	Power Consumption (W)	Current Consumption (A)	Gas Flow Rate (kg/h)	Efficiency (W/W)
±5%	±5%	±5%	±5%	±7%
384	213	1.02	10.56	1.81

Test condition: EN 12900, Fan, Return Gas 20°C, Subcooling OK, Evaporating: -10°C, Condensing: 45°C, Ambient: 35°C

**PERFORMANCE CURVE DATA****2000 RPM**

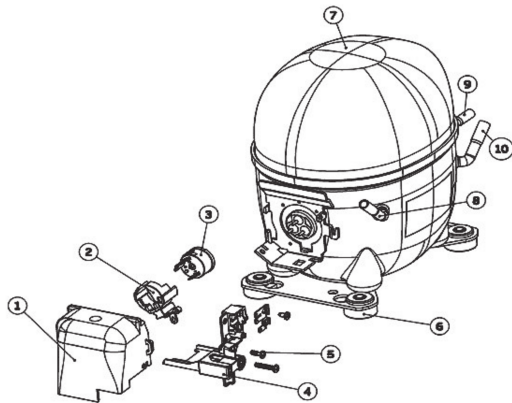
Condensing Temperature (°C)	Evaporating Temperature (°C)	Cooling Capacity (W)	Power Consumption (W)	Current Consumption (A)	Gas Flow Rate (kg/h)	Efficiency (W/W)
		±5%	±5%	±5%	±5%	±7%
<b>35°C</b>	10	936	223	1.07	23.81	4.19
	5	797	219	1.06	20.01	3.64
	0	670	212	1.03	16.65	3.16
	-5	557	204	0.99	13.69	2.73
	-10	456	193	0.94	11.11	2.37
	-15	368	179	0.87	8.90	2.05
	-20	292	163	0.79	7.02	1.79

Condensing Temperature (°C)	Evaporating Temperature (°C)	Cooling Capacity (W)	Power Consumption (W)	Current Consumption (A)	Gas Flow Rate (kg/h)	Efficiency (W/W)
		±5%	±5%	±5%	±5%	±7%
<b>45°C</b>	10	795	264	1.28	22.92	3.01
	5	675	254	1.23	19.19	2.66
	0	567	242	1.16	15.90	2.34
	-5	470	228	1.09	13.03	2.06
	-10	384	213	1.02	10.56	1.81
	-15	310	195	0.93	8.46	1.59
	-20	248	176	0.85	6.70	1.40

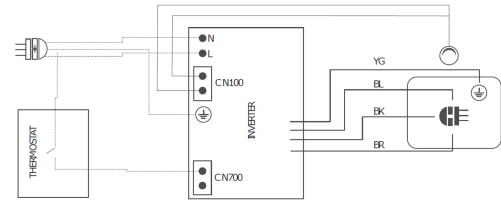
Condensing Temperature (°C)	Evaporating Temperature (°C)	Cooling Capacity (W)	Power Consumption (W)	Current Consumption (A)	Gas Flow Rate (kg/h)	Efficiency (W/W)
		±5%	±5%	±5%	±5%	±7%
<b>55°C</b>	10	652	308	1.46	21.93	2.12
	5	551	291	1.37	18.27	1.89
	0	460	273	1.28	15.06	1.68
	-5	380	254	1.19	12.28	1.50
	-10	310	234	1.09	9.91	1.33

Test condition: EN 12900, Fan, Return Gas 20°C, Subcooling OK, Ambient: 35°C

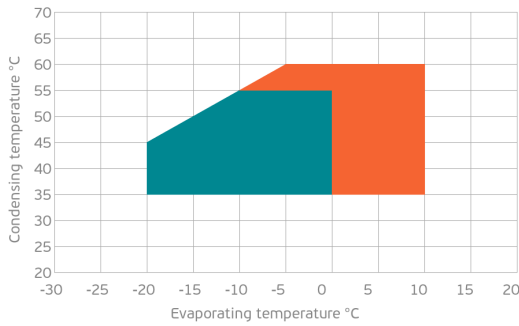
## ASSEMBLY INSTRUCTION



## WIRING DIAGRAM

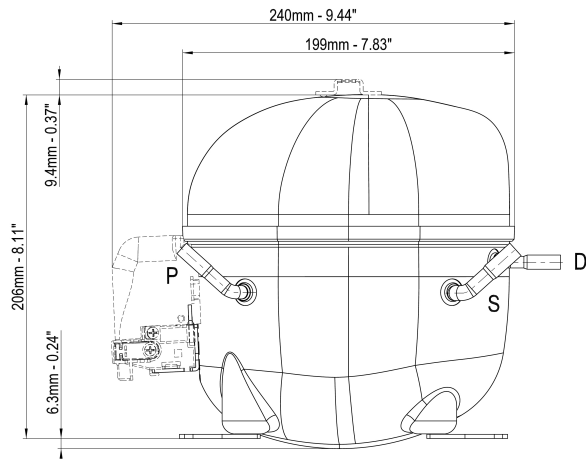


## OPERATING ENVELOPE



- Operating Condition
- Transient Condition
- Superheating

**NOTE:** usage of compressors outside of intended working range cannot make use of the warranty, or should be consulted with Technical support.



	∅ mm	∅ in	Material
<b>S - Suction</b>	8.10 - 8.20	0.32	Cu
<b>P - Process</b>	6.45 - 6.55	0.25	Cu
<b>D - Discharge</b>	6.45 - 6.55	0.25	Cu

