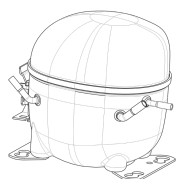


220-240V 50 1~

**GENERAL DATA**

**Application:** LBP  
**Refrigerant:** R404A  
**Evaporating Temperature Range:** -40°C to -10°C  
**Compressor Cooling:** Fan  
**Fan air flow:** 520 m<sup>3</sup>/h  
**Type:** Hermetic reciprocating  
**Technology Type:** On-Off  
**Expansion Device:** Capillary Tube or Expansion Valve  
**Packing Quantity:** Multi - 37 pcs  
**Displacement:** 8.77 cm<sup>3</sup>  
**Horse power:** 1.2 hp

Approvals:     

**MECHANICAL DATA**

**Bore:** 26.5 mm  
**Stroke:** 15.92 mm  
**Oil Charge:** 350ml +/-15ml  
**Free Internal Volume:** 2.1 cm<sup>3</sup>  
**Maximum Recommended Refrigerant Charge:** 350 g  
**Oil Type Configuration:** Polyolester  
**Oil Type Viscosity:** ISO22  
**Compressor pressurization:** Dry air charge  
**Weight:** 10.7 kg

**ELECTRICAL DATA**

**Motor Type:** CSIR  
**Starting Torque:** HST  
**Voltage working range at 50 Hz:** 198-254 V  
**Maximum Motor Temperature:** 130 °C  
**Start Winding Resistance:** 34.8 Ω (± 10%) at 25°C  
**Run Winding Resistance:** 5.26 Ω (± 10%) at 25°C

**MOUNTING ACCESSORIES**

	Description	Code
<b>Anchorage:</b>	no	-
<b>Capacitor Bracket:</b>	no	-
<b>Washer:</b>	no	-
<b>Pin:</b>	no	-
<b>Clip:</b>	no	-
<b>Rotolock valve:</b>	no	-
<b>Cover:</b>	yes	2075282
<b>Grommets:</b>	yes	2221011
<b>Sleeves:</b>	yes	2222018
<b>Terminal Board:</b>	yes	1027060
<b>Overload Protector Bracket:</b>	yes	2075299

**ELECTRICAL COMPONENTS**

	Component type	Description	Code
<b>Start Capacitor:</b>		53-64 MFD 330V	2252346
<b>Starting Device:</b>	Current relay	MTRP-0029-65	2334105
<b>Motor Protection:</b>	External 3/4"	MSP30APK-3259	2319132

**EXTERNAL CHARACTERISTICS**

**Base Plate:** European  
**Tray Holder:** No  
**Height:** 200 mm

	Internal Diameter (mm)	Material	Shape
<b>Suction Connector</b>	8.1	Copper	Slanted 42°
<b>Discharge Connector</b>	6.1	Copper	Straight

**RATED POINT DATA**

Cooling Capacity (W)	Power Consumption (W)	Current Consumption (A)	Gas Flow Rate (kg/h)	Efficiency (W/W)
±5%	±5%	±5%	±5%	±7%
252	253	2.05	6.32	1.00

Test condition: EN 12900, Fan, Return Gas 20°C, Subcooling OK, Evaporating: -35°C, Condensing: 40°C, Ambient: 35°C

**PERFORMANCE CURVE DATA****220V 50Hz**

Condensing Temperature (°C)	Evaporating Temperature (°C)	Cooling Capacity (W)	Power Consumption (W)	Current Consumption (A)	Gas Flow Rate (kg/h)	Efficiency (W/W)
		±5%	±5%	±5%	±5%	±7%
<b>35°C</b>	-10	887	413	2.53	21.61	2.15
	-15	735	379	2.41	17.78	1.94
	-20	596	346	2.30	14.34	1.72
	-25	473	313	2.20	11.31	1.51
	-30	366	281	2.12	8.71	1.30
	-35	277	249	2.05	6.57	1.11
	-40	208	218	2.01	4.91	0.95

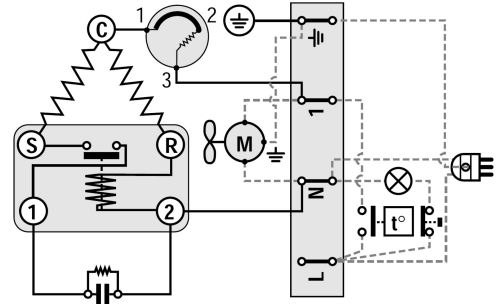
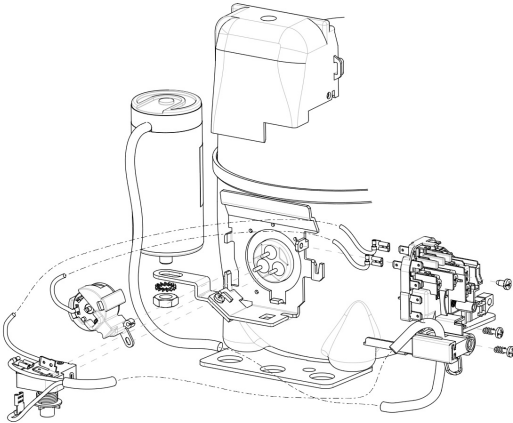
Condensing Temperature (°C)	Evaporating Temperature (°C)	Cooling Capacity (W)	Power Consumption (W)	Current Consumption (A)	Gas Flow Rate (kg/h)	Efficiency (W/W)
		±5%	±5%	±5%	±5%	±7%
<b>45°C</b>	-10	752	447	2.67	20.68	1.68
	-15	621	406	2.52	16.92	1.53
	-20	501	366	2.38	13.55	1.37
	-25	394	328	2.25	10.60	1.20
	-30	303	291	2.14	8.10	1.04
	-35	227	256	2.05	6.06	0.89

Condensing Temperature (°C)	Evaporating Temperature (°C)	Cooling Capacity (W)	Power Consumption (W)	Current Consumption (A)	Gas Flow Rate (kg/h)	Efficiency (W/W)
		±5%	±5%	±5%	±5%	±7%
<b>55°C</b>	-10	610	486	2.81	19.49	1.26
	-15	501	436	2.63	15.83	1.15
	-20	401	389	2.46	12.58	1.03
	-25	313	344	2.31	9.76	0.91
	-30	238	301	2.17	7.39	0.79

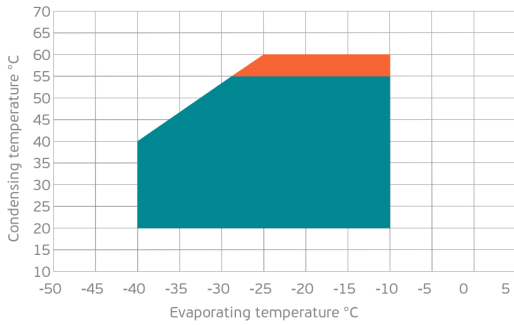
Test condition: EN 12900, Fan, Return Gas 20°C, Subcooling OK, Ambient: 35°C

**ASSEMBLY INSTRUCTION**

**WIRING DIAGRAM**

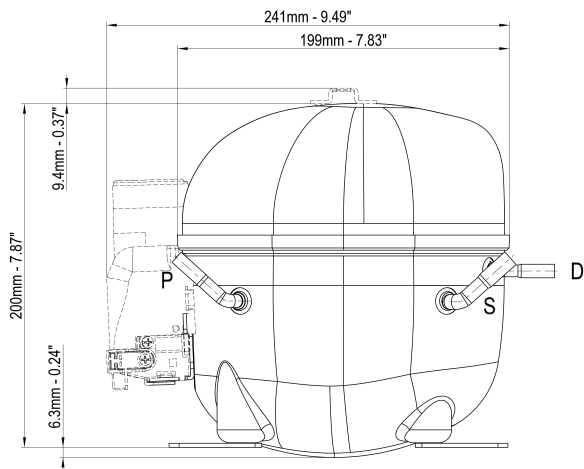


**OPERATING ENVELOPE**



- Operating Condition
- Transient Condition
- Superheating

**NOTE:** usage of compressors outside of intended working range cannot make use of the warranty, or should be consulted with Technical support.



	∅ mm	∅ in	Material
<b>S - Suction</b>	8.10 - 8.20	0.32	Cu
<b>P - Process</b>	6.10 - 6.20	0.24	Cu
<b>D - Discharge</b>	6.10 - 6.20	0.24	Cu

