

MODEL NUMBER
ZP91KCE-TFD/TFE/TF5

SPECIFICATIONS	
ES NO.	DESCRIPTION
ES92-155	CONVERSION-METRIC

NOTES:
 1 ALL TOLERANCES ± 1.5 [0.06] UNLESS OTHERWISE SPECIFIED.

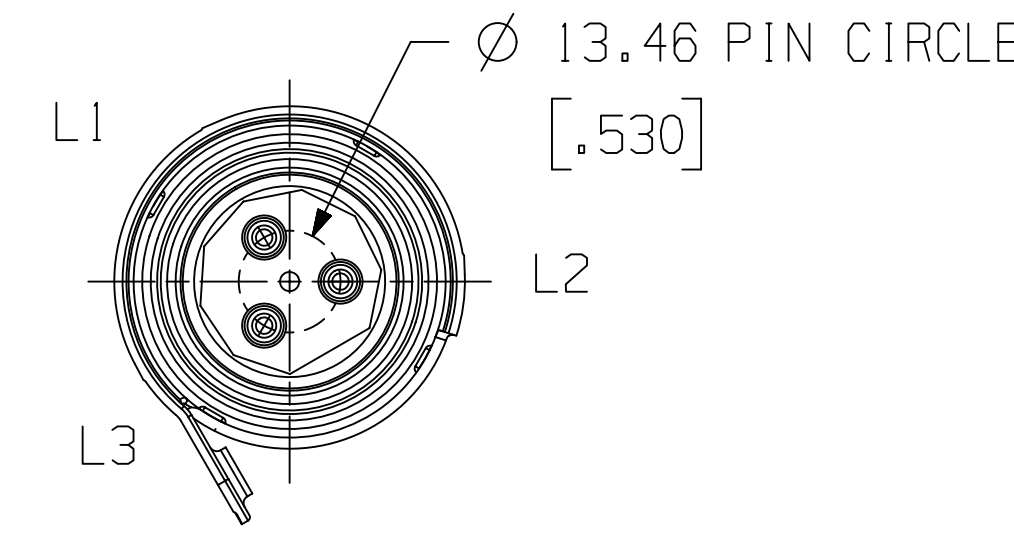
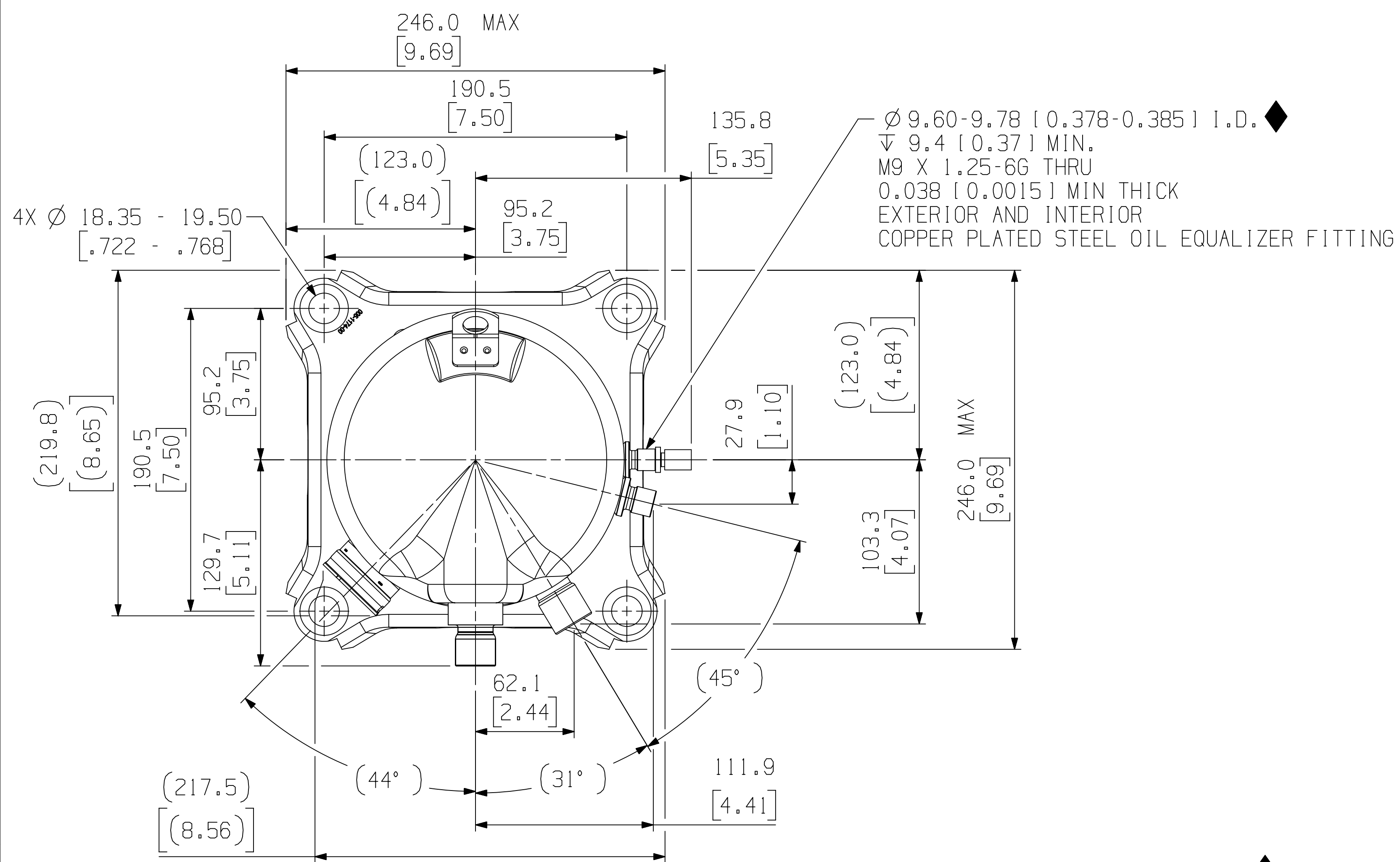
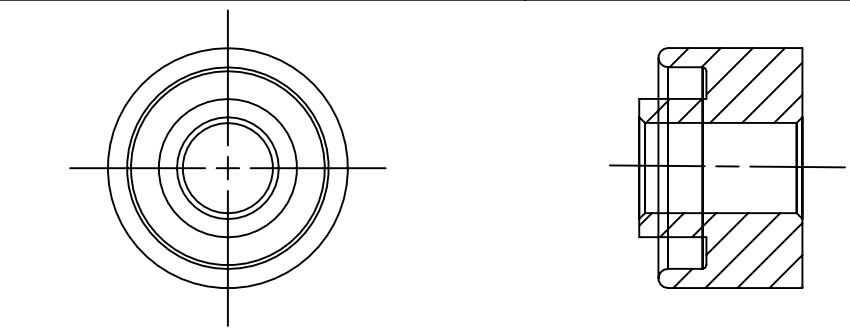
DUE TO ACCUMULATED ASSEMBLY TOLERANCES THE LISTED COMPONENTS MAY VARY FROM THE MOUNTING HOLES AS SHOWN BELOW:

◆ ALL FITTINGS : ± 3.0 [0.12]

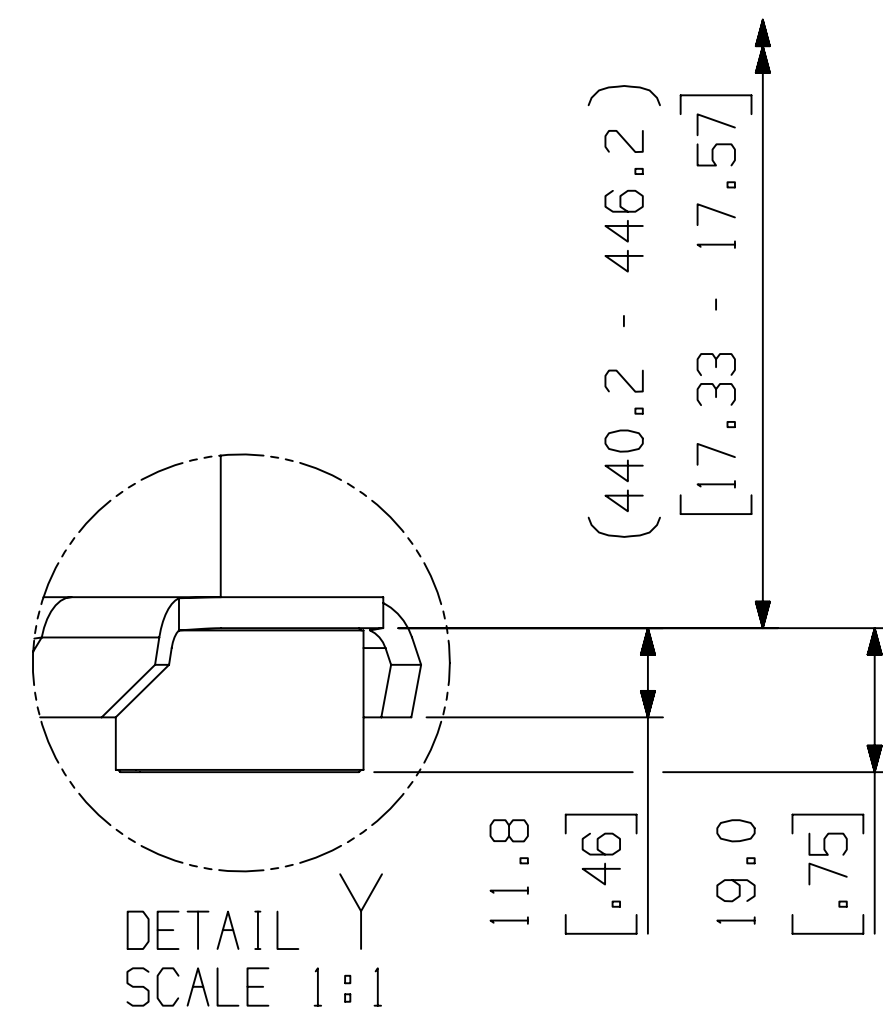
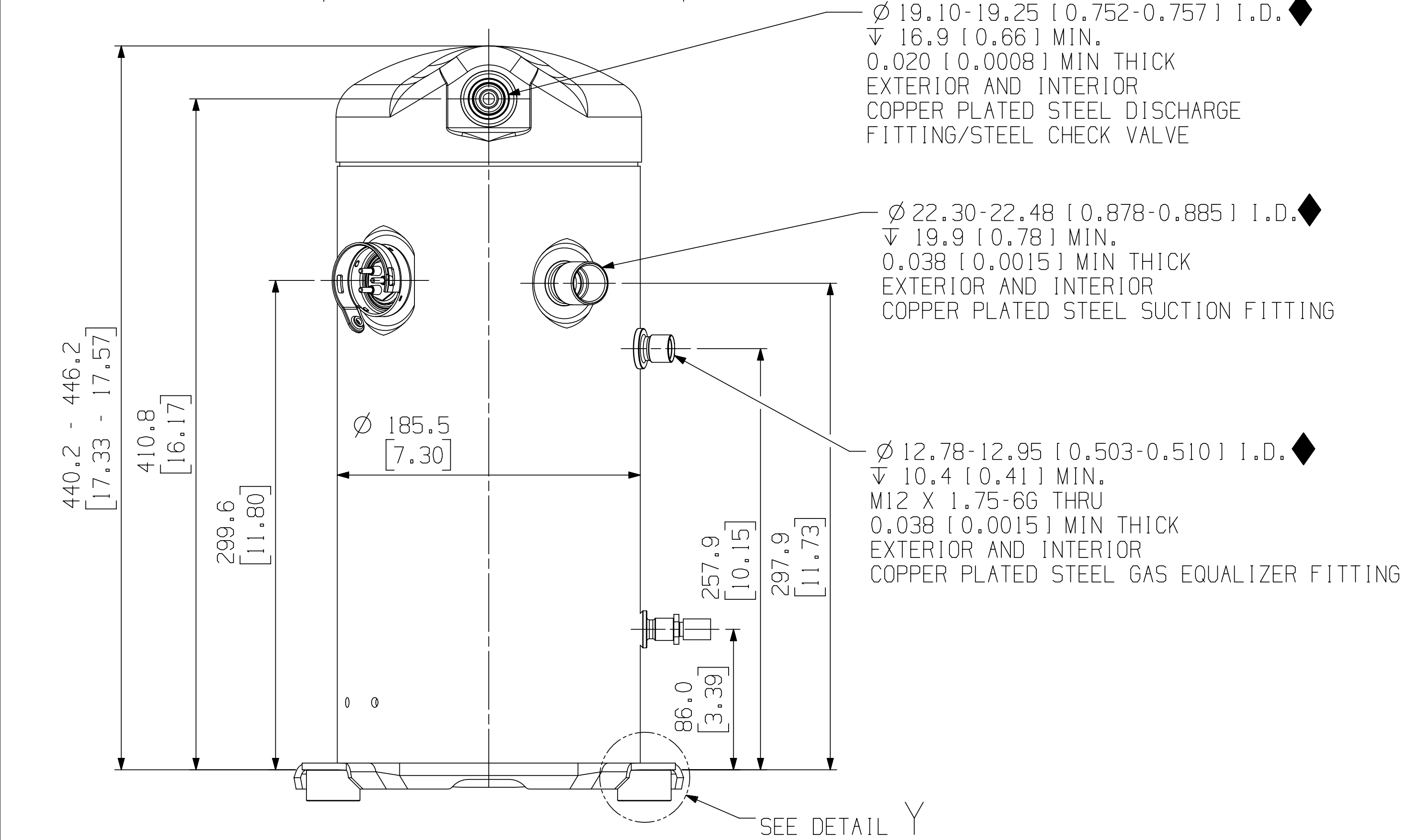
2. TUBE ENDS MUST BE PLUGGED.

3. MOUNTING KIT:

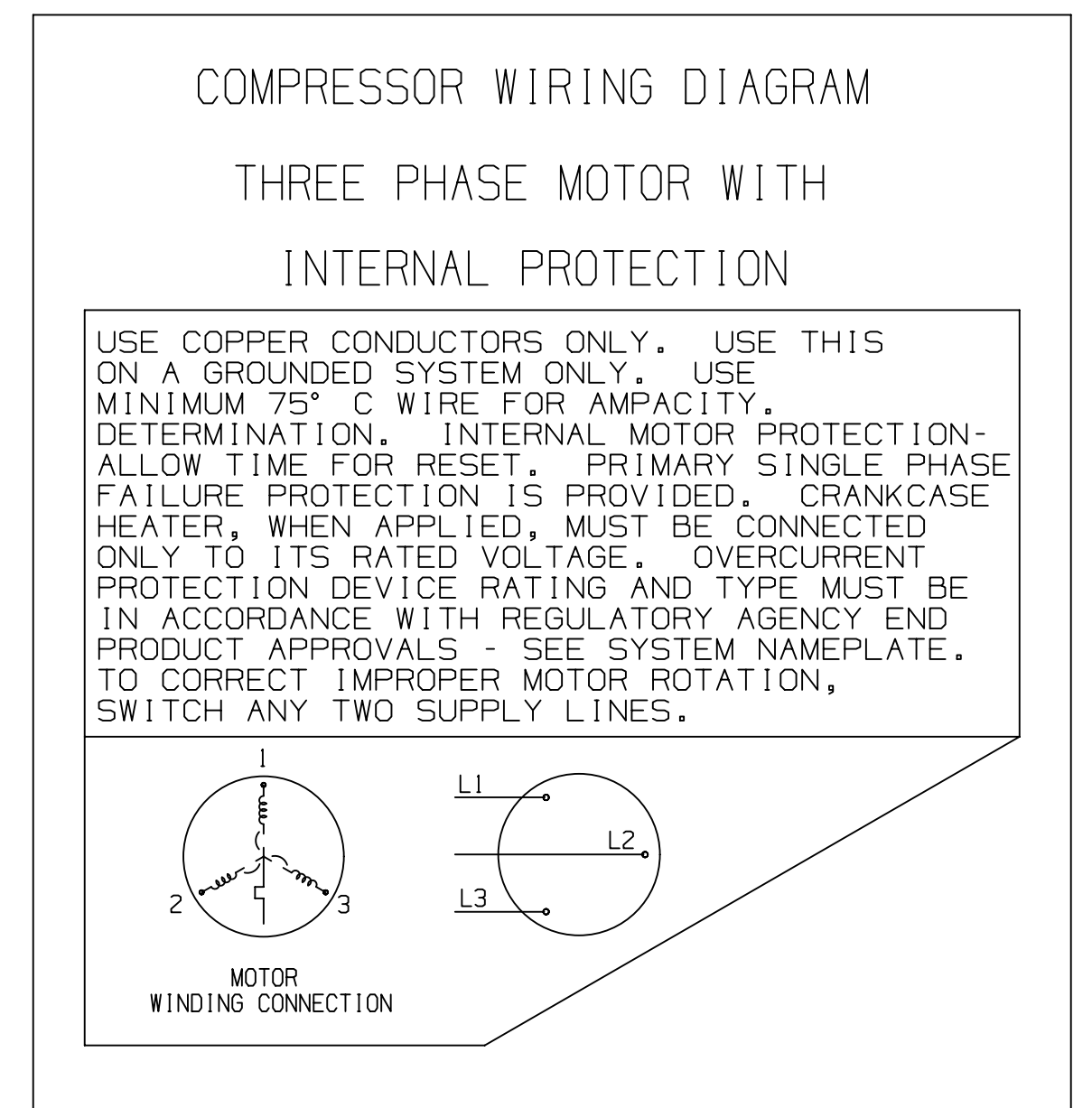
GROMMET DUROMETER	4 FOOT KIT
STEEL	527-0181-00



MOLDED PLUG LAYOUT
STANDARD
SCALE 1:1



DETAIL Y
SCALE 1:1



INTERPRET PER ASME Y14.5M-1994 AND EMERSON DESIGN STANDARDS DS2002
 DO NOT SCALE DRAWING
 CRITICAL PRODUCT CHARACTERISTICS
 UNLESS OTHERWISE SPECIFIED DIMENSIONS ARE MILLIMETER OR () INCH
 TOLERANCES:
 1-PLACE : N/A
 2-PLACE : N/A
 ANGULAR : 0.5°

ECN309006	0	RELEASED	10-11-18	VPV/PBM
ENG NOTICE NO.	REV.NO.	REVISIONS	DATE	BY
CONFIDENTIALITY NOTICE				
THIS DRAWING AND INFORMATION CONTAINED HEREIN ARE THE EXCLUSIVE PROPERTY OF EMERSON CLIMATE TECHNOLOGIES, INC AND/OR ITS AFFILIATES (COLLECTIVELY "EMERSON") AND SHALL BE RETURNED UPON DEMAND AND SHALL NOT BE REPRODUCED IN WHOLE OR IN PART, DISCLOSED TO ANYONE ELSE OR USED, WITHOUT THE WRITTEN CONSENT OF EMERSON.				
MATERIAL SPECIFICATION	N/A	DRAWN BY	SUPERSEDES DWG NO / REV NO	DATE
		VPV	497-1790-00 / 002	10-11-18
TITLE	REF DWG-WELD COMP ASSM	SCALE	1:2	DATE FORMAT: MM-DD-YY
		DRAWING NUMBER	497-3178-00	SHEET 1 OF 1 DWG
				4 SIZE