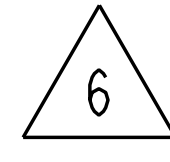


PART NO. ③	MODEL NUMBER	A ±3.0	B ±3.0	C ±3.0	D ±3.0	F	E	H ③	MOUNTING KIT ③
497-0456-00	ZH13KVE-526 ZH18KVE-526	437.7 [17.23]	409.6 [16.12]	233.2 [9.18]	296.7 [11.68]	340.9 [13.42]	OMIT	19.05 [0.75]	 6
497-0456-01	ZH13KVE-PFJ-426 ZH13KVE-TFD-426 ZH18KVE-TFD-426	437.7 [17.23]	409.6 [16.12]	233.2 [9.18]	296.7 [11.68]	340.9 [13.42]	79.5 [3.13]	OMIT	OMIT

SPECIFICATIONS	
ES NO.	DESCRIPTION
ES22-122	PACKAGING
ES81-159	CLEANLINESS
ES81-250	IDENTIFICATION
ES92-155	CONVERSION-METRIC
ES92-167	REGULATORY COMPLIANCE

NOTES:

① ALL TOLERANCES ±1.50 [0.060] UNLESS OTHERWISE SPECIFIED.

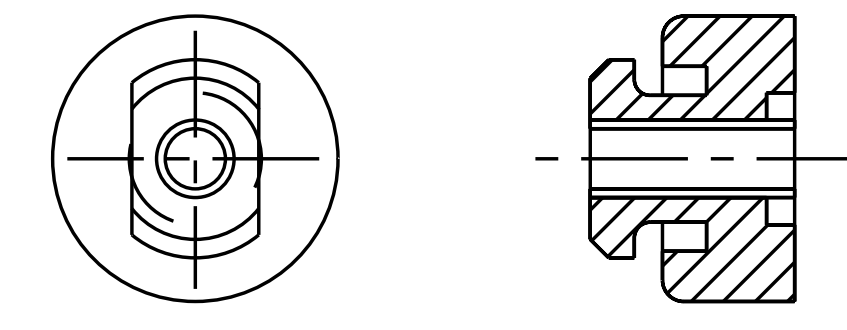
DUE TO ACCUMULATED ASSEMBLY TOLERANCES THE LISTED COMPONENTS MAY VARY FROM THE MOUNTING HOLES AS SHOWN BELOW:

SUCTION FITTING : ±3.0 [0.12]  
DISCHARGE FITTING: ±3.0 [0.12]

- TUBE ENDS MUST BE PLUGGED.
- TORQUE T-BLOCK SCREWS TO 2.37-2.59 Nm [21-23 IN LBS].
- FOR MORE INFORMATION SEE PRODUCT CATALOG.
- FULL HEIGHT OF COMPRESSOR DOES NOT INCLUDE MOUNTING SPACERS.

③  MOUNTING KIT:

GROMMET DUROMETER	4 FOOT KIT
35-45	527-0116-00



COMPRESSOR WIRING DIAGRAM

④ ③ USE COPPER CONDUCTORS ONLY. USE MINIMUM 75°C WIRE FOR AMPACITY DETERMINATION. INTERNAL MOTOR PROTECTION - ALLOW TIME FOR RESET. OVERCURRENT PROTECTION DEVICE RATING AND TYPE MUST BE IN ACCORDANCE WITH REGULATORY AGENCY END PRODUCT APPROVALS-SEE SYSTEM NAMEPLATE. CRANKCASE HEATER, WHEN APPLIED, MUST BE CONNECTED ONLY TO ITS RATED VOLTAGE. TO CORRECT IMPROPER ROTATION OF THREE PHASE MODELS, SWITCH ANY TWO SUPPLY LINES. REFER TO THE APPLICABLE SYSTEM WIRING DIAGRAM.

XX 005-1213-00  
8-06



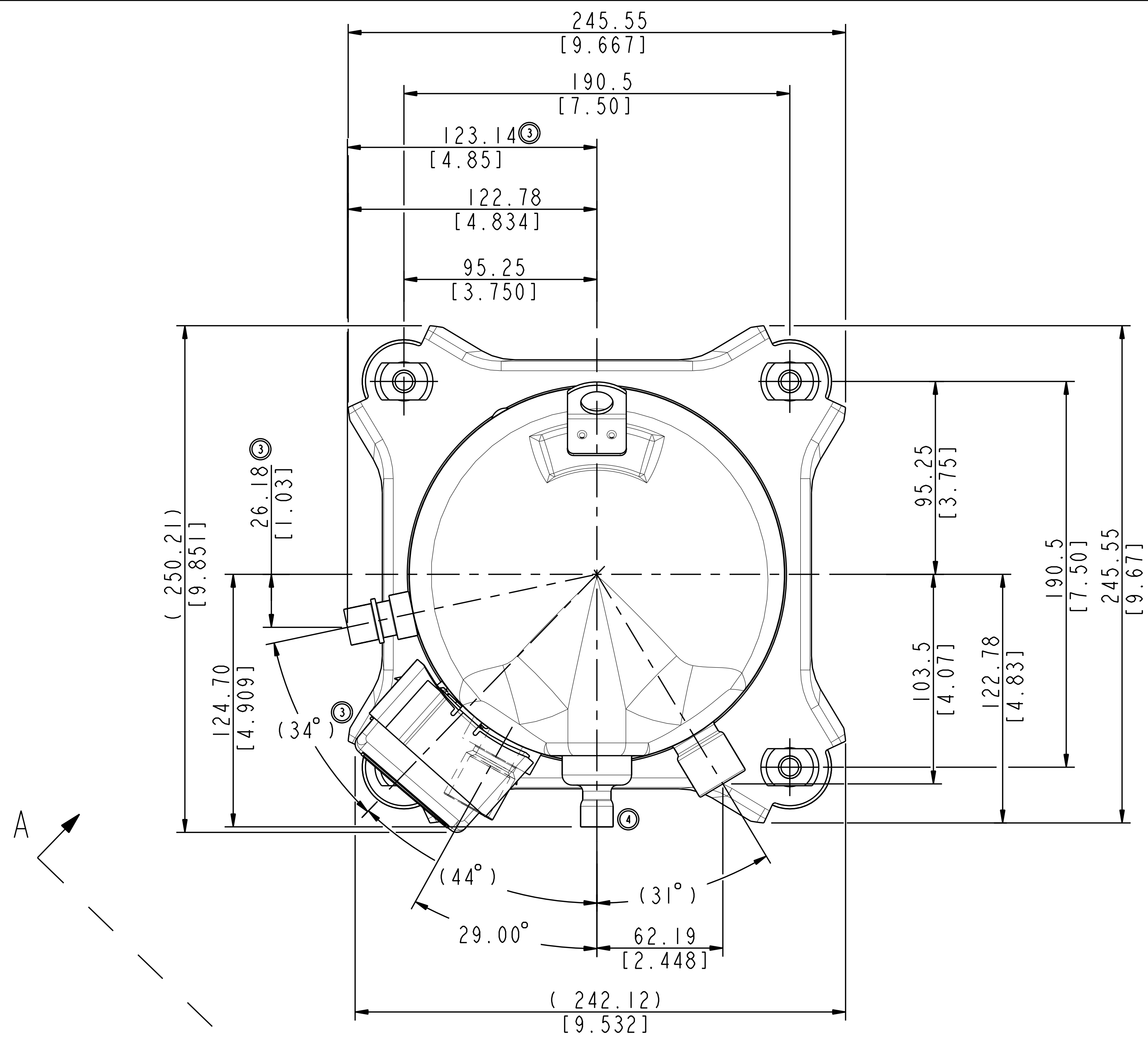
INTERPRET PER ASME Y14.5M-1994 AND EMERSON CLIMATE TECHNOLOGIES, INC. DESIGN STANDARDS DS2002 DO NOT SCALE DRAWING  
THIRD ANGLE PROJECTION  
CRITICAL PRODUCT CHARACTERISTIC  
UNLESS OTHERWISE SPECIFIED DIMENSIONS ARE MILLIMETER OR (INCH)  
TOLERANCES:  
1-PLACE ± 0.4  
2-PLACE ± 0.15  
ANGULAR ± 0.5°

ENG NOTICE NO.	REV. NO.	REVISIONS	DATE	BY	CHKD	APPR
ECN006415	5	ADDED CPC SYMBOL	11-08-12	AAA	DC	PMM
ECN000230	4	SEE SHEET 2, UPDATE COMPRESSOR WIRING DIAGRAM	12-03-07	VDJ	DC	SBM
32-0405-077	3	REDRAWN WITH CHANGES	10-05-06	JYU	AF	NM
32-0504-106	0	RELEASED	05-26-04	MMB	SPR	

THIS DRAWING AND INFORMATION CONTAINED HEREIN ARE THE EXCLUSIVE PROPERTY OF EMERSON CLIMATE TECHNOLOGIES, INC. AND SHALL BE RETURNED UPON DEMAND AND SHALL NOT BE REPRODUCED IN WHOLE OR IN PART, DISCLOSED TO ANYONE ELSE OR USED, WITHOUT THE WRITTEN CONSENT OF EMERSON CLIMATE TECHNOLOGIES, INC.

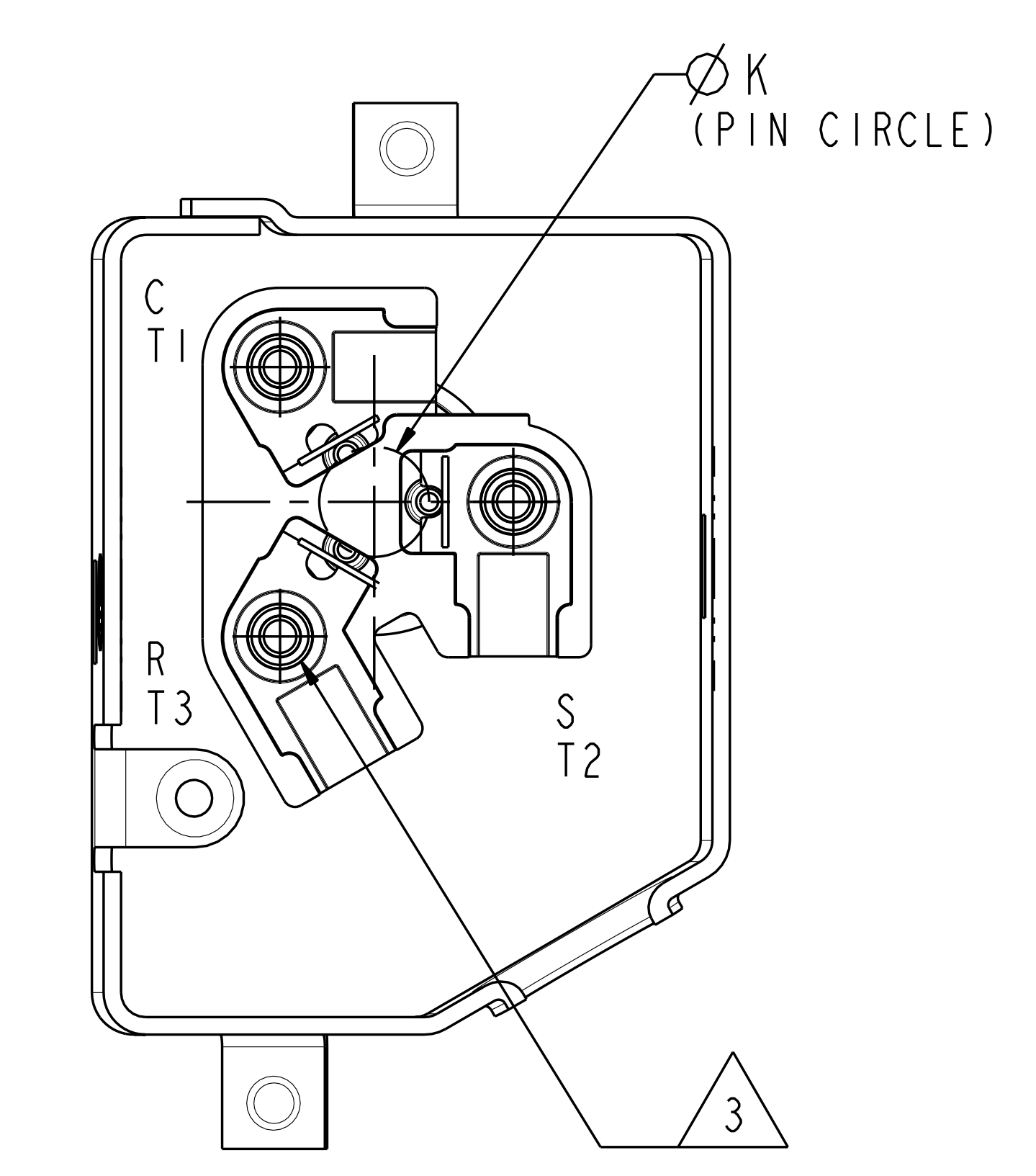
MATERIAL SPECIFICATION	DRAWN BY	SUPERSEDES DWG. NO. / REV. NO.
N/A	JYU	497-0456-00 / 02
	DATE	SCALE
	10-05-06	1:2
	DATE FORMAT:	MM-DD-YY

TITLE	DRAWING NUMBER	SHEET 1 OF 2
REF DWG-WELD COMP ASSM	497-0456-00	5

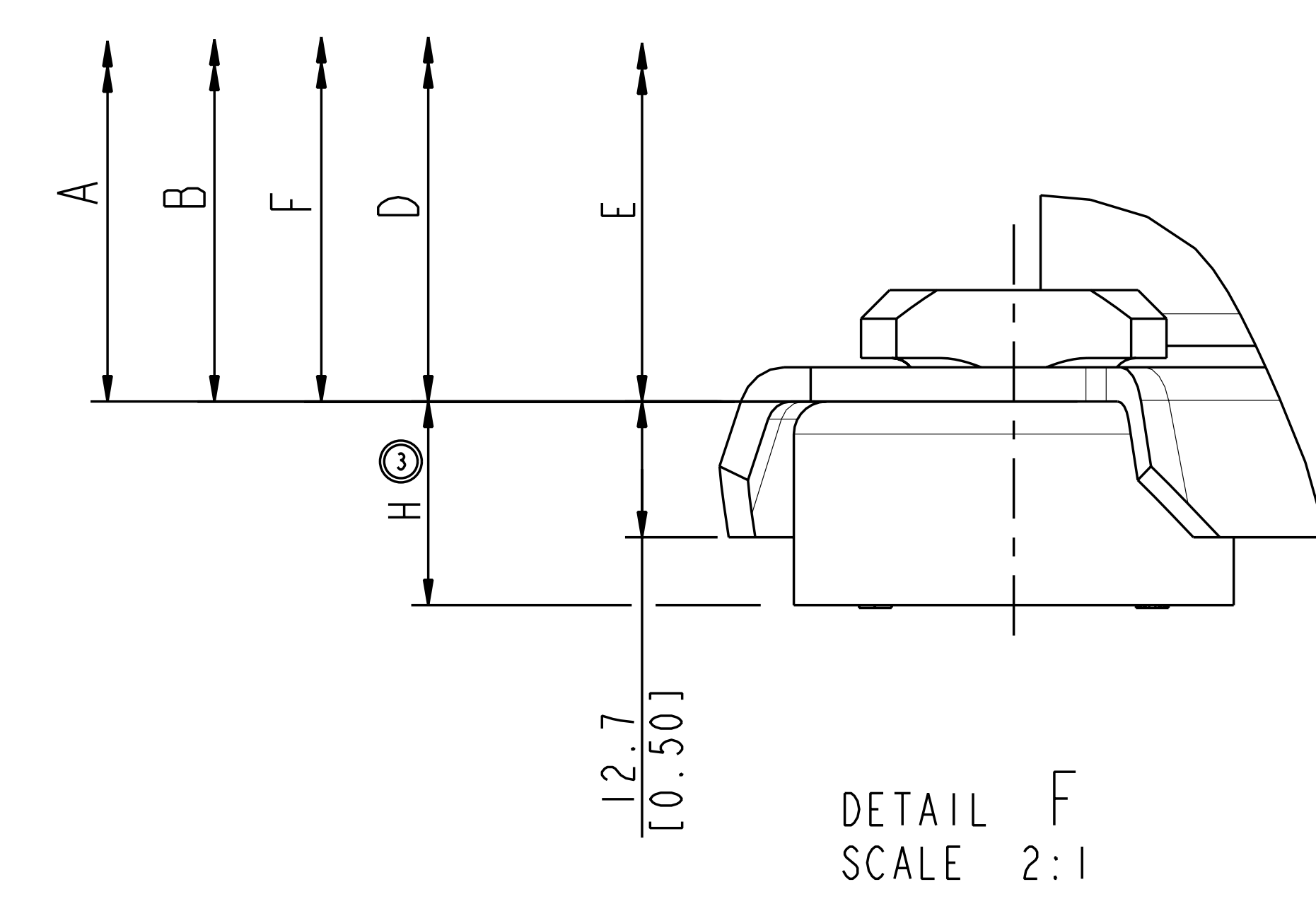
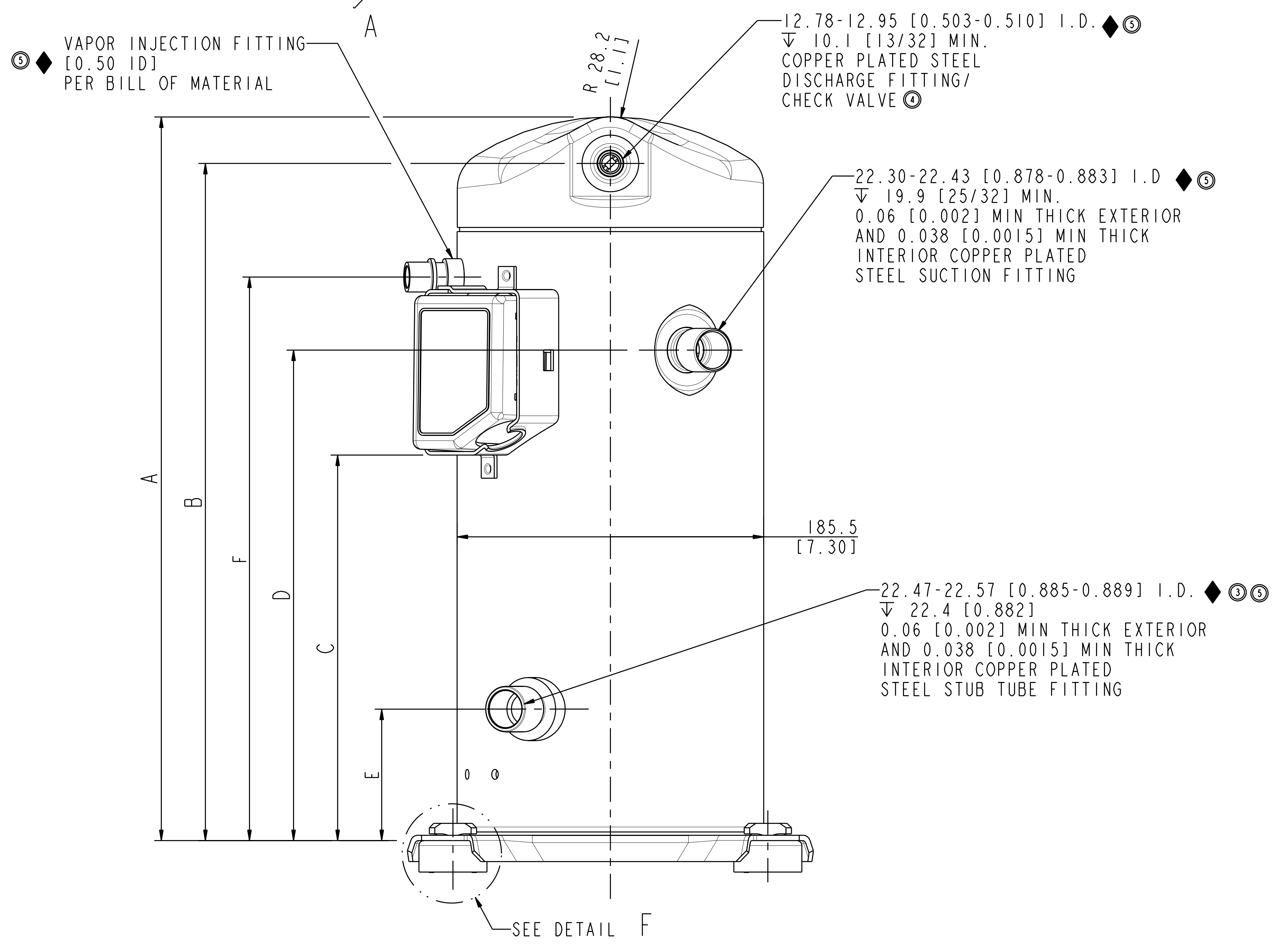


MOTOR TYPE	Ø K PIN CIRCLE
PFJ PFV TF5	13.46 [0.530]
TFD TFE TF7	17.45 [0.687]

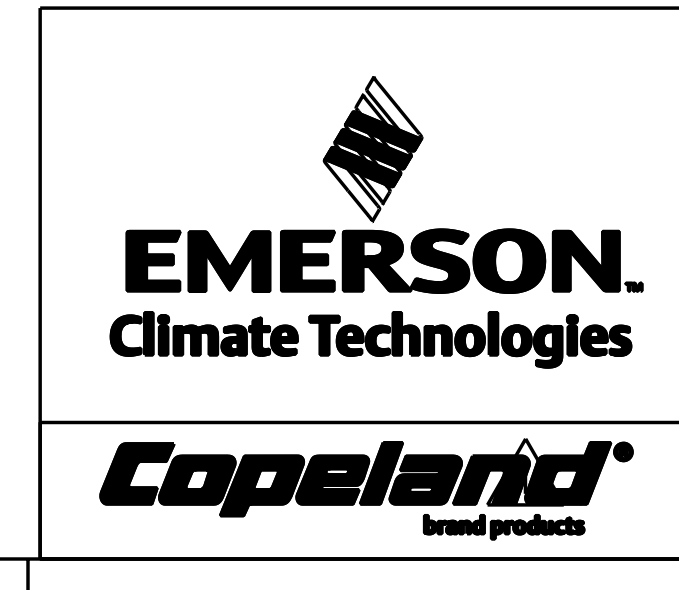
SPECIFICATIONS	
ES NO.	DESCRIPTION
ES22-122	PACKAGING
ES81-159	CLEANLINESS
ES81-250	IDENTIFICATION
ES92-155	CONVERSION-METRIC
ES92-167	REGULATORY COMPLIANCE



TERMINAL BOX LAYOUT OPTIONS  
VIEW A-A  
SCALE 3:2



DETAIL F  
SCALE 2:1



INTERPRET PER ASME Y14.5M-1994 AND EMERSON CLIMATE TECHNOLOGIES, INC. DESIGN STANDARDS DS2002 DO NOT SCALE DRAWING  
THIRD ANGLE PROJECTION  
CRITICAL PRODUCT CHARACTERISTIC  
UNLESS OTHERWISE SPECIFIED DIMENSIONS ARE MILLIMETER OR (INCH)  
TOLERANCES:  
1-PLACE ± 0.4  
2-PLACE ± 0.15  
ANGULAR ± 0.5°

ECN006415	5	ADDED CPC SYMBOL	11-08-12	AAA	DC	PMM
ECN000230	4	PICTORIALLY UPDATE, CHANGE FITTING VALVE	12-03-07	VDJ	DC	SBM
32-0405-077	3	REDRAWN WITH CHANGES	10-05-06	JYU	AF	NM
32-0504-106	0	RELEASED	05-26-04	MMB	SPR	
ENG NOTICE NO.	REV. NO.	REVISIONS	DATE	BY	CHKD	APPR
CONFIDENTIALITY NOTICE						
THIS DRAWING AND INFORMATION CONTAINED HEREIN ARE THE EXCLUSIVE PROPERTY OF EMERSON CLIMATE TECHNOLOGIES, INC. AND SHALL BE RETURNED UPON DEMAND AND SHALL NOT BE REPRODUCED IN WHOLE OR IN PART, DISCLOSED TO ANYONE ELSE OR USED, WITHOUT THE WRITTEN CONSENT OF EMERSON CLIMATE TECHNOLOGIES, INC.						
MATERIAL SPECIFICATION			DRAWN BY			
N/A			JYU			
DATE			SUPERSEDES DWG. NO. / REV. NO.			
10-05-06			497-0456-00 / 02			
SCALE			DATE FORMAT			
3:4			MM-DD-YY			
TITLE			DRAWING NUMBER			
REF DWG-WELD COMP ASSM			SHEET 2 OF 2			
			497-0456-00			
			SIZE			
			5			