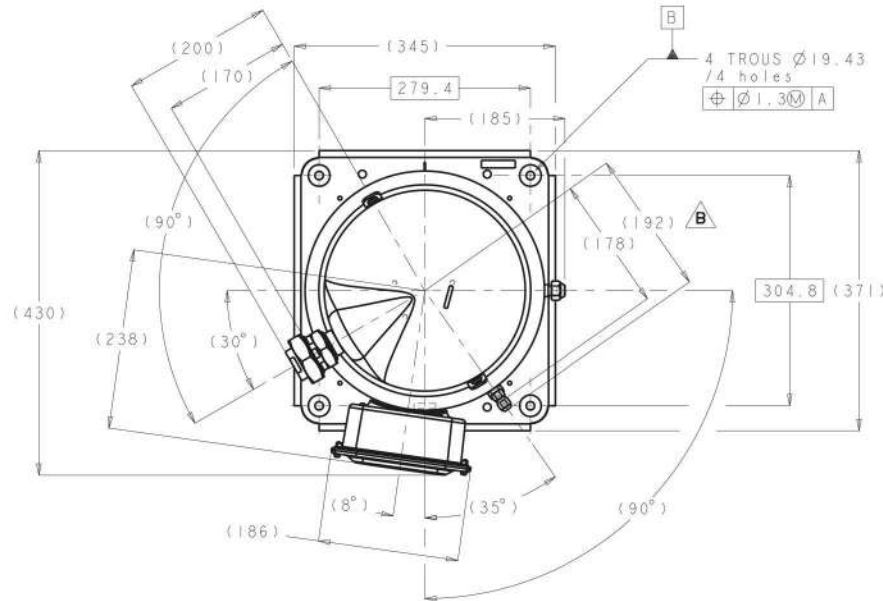


SANS COMPRESSION: (29.5)
/Without compression

AVEC COMPRESSION (28.0)
/With compression

	ROTOLOCK	SLEEVE
SUCTION	2" 1/4	1" 3/8
DISCHARGE	1" 3/4	7/8"



REFERENCE PIECE / Part number
8551119P01 B.4

			Projection	Scale	Material
B.7	ECR-2010-2897	15/03/11		1/5	Tol Gen
A	DM 990310	13/12/99			A2
Mrk	Approval/Rev	Date	 Danfoss Commercial Compressors		
Replace					
Design	DPR				
Approval	BOP				
Designation S175/185-R OUTLINE WITH SLEEVE ENCOMBREMENT S175/185 - R AVEC SLEEVE					
Confidential: Property of Danfoss Commercial Compressors. Not to be handed over to copied or used by third party. Two or three dimensional reproduction of contents to be authorized by Danfoss CC.					
No. 8551119 Production print					B