



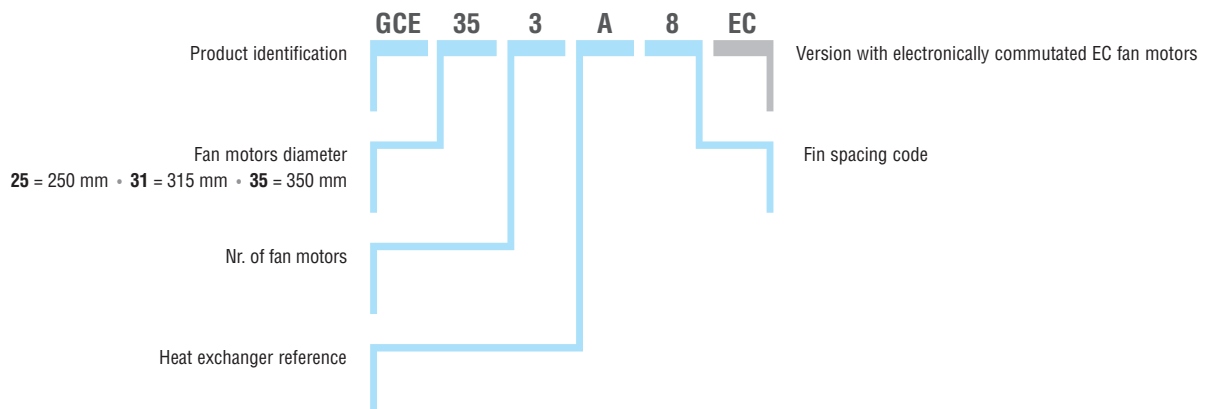
The **GCE** range of unit coolers is suitable for installation in cold rooms for the preservation of fresh or frozen products. The compact size of the unit allows to make maximum use of the storage space of the cold room in which it is installed.

The entire range is equipped with high-efficiency coils made from aluminum fins and inner grooved tube; and with a new geometry that allows a substantial reduction of the inner volume resulting in decreased refrigerant use. The updated coil design responds to the recent guidelines governing the reduction of HFC gases with high greenhouse effect.

According to the room temperature the range is divided as follows:

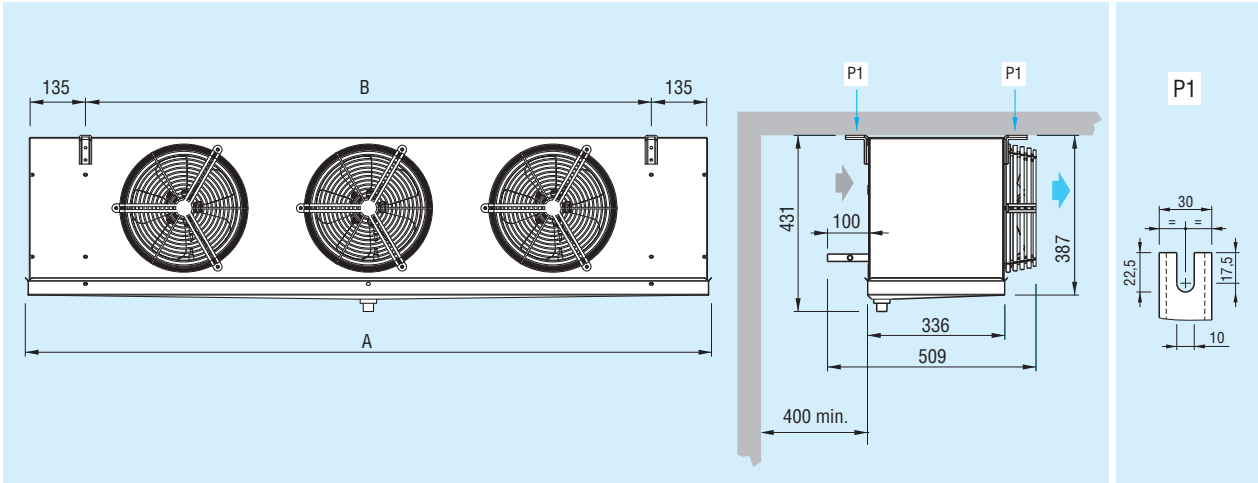
- **GCE G4 E4 F4 A4** for high temperatures ($\geq +1$ °C) with 4 mm fin spacing;
- **GCE G6 E6 F6 A6** for medium temperatures (≥ -15 °C) with 6 mm fin spacing;
- **GCE G8 E8 F8 A8** for low temperatures (≥ -35 °C) with 8 mm fin spacing, equipped with electric defrost (ED).

GCE - Model identification



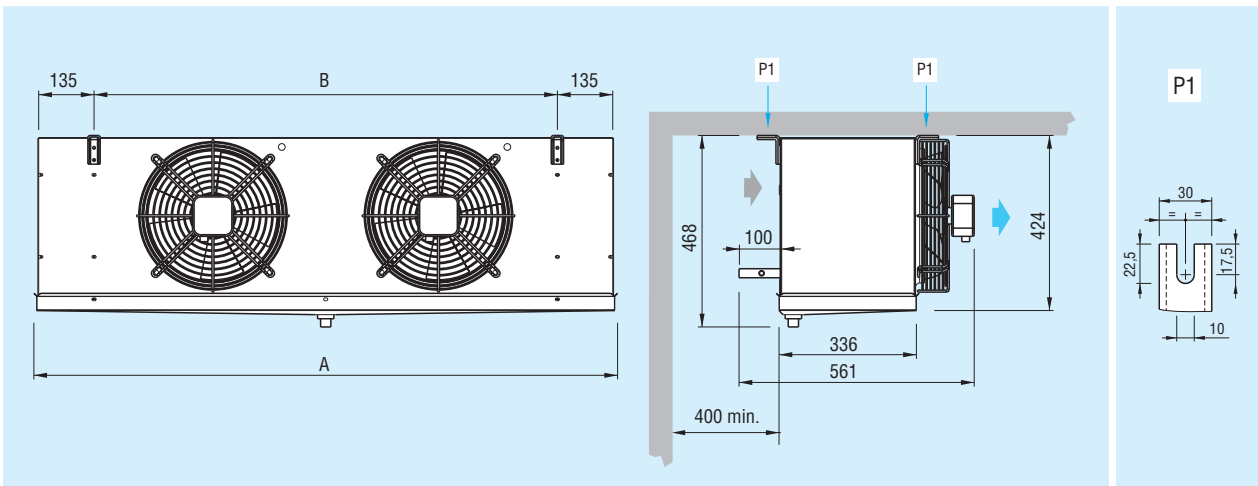
Dimensional features

GCE Ø 250 mm



Model	GCE Ø 250	251 R	251	252	253	254	
Dimensions	mm	A	674	774	1224	1674	2124
		B	380	480	930	1380	1830

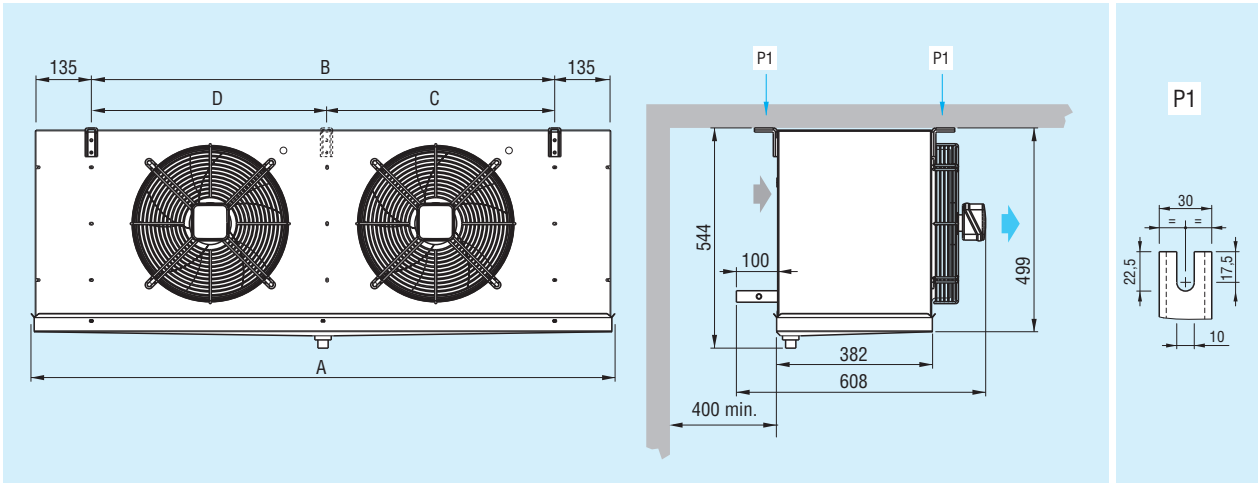
GCE Ø 315 mm



Model	GCE Ø 315	311	312	313	314	
Dimensions	mm	A	874	1424	1974	2524
		B	580	1130	1680	2230

Dimensional features

GCE Ø 350 mm



Model	GCE Ø 350	351	352	353	354	355	
Dimensions	mm	A	875	1425	1975	2525	3075
		B	580	1130	1680	2230	2780
		C	-	-	-	1115	1665
		D	-	-	-	1115	1115

This range employs three types of standard fan motors:

- **A)** 250 mm diameter, shaded pole single-phase 230V/1/50-60 Hz with fibreglass charged polyamide fan guards.
- **B)** 315 mm diameter, external rotor single-phase 230V/1/50-60 Hz with built-in electric capacitor and epoxy coated steel fan guard.
- **C)** 350 mm diameter, external rotor single-phase 230V/1/50-60 Hz with built-in electric capacitor and epoxy coated steel fan guard.

The versions with standard electric defrost (ED) are equipped with stainless steel heaters with vulcanised terminals preset for 230V/1/50-60Hz (Ø 250 mm) and 400V/3/50-60Hz (Ø 315-350 mm) connection.

The electric parts and casework are connected to a ground terminal, the wiring of the motors and heaters is carried out in separate IP 54 protection grade junction boxes. On request the models can be equipped with non-standard: coils, defrosting and fan motors.

Select units with non published conditions with the “**Scelte**” selection program.

For special applications and further information consult our Technical Dept.

Technical features

Model	GCE	251 E4R	251 E4	252 G4	252 E4	253G4	253 E4	254 G4
Nominal capacity	kW	1,45	1,67	2,87	3,29	4,18	4,83	5,56
Air flow	m ³ /h	708	768	1626	1536	2440	2305	3250
Air throw	m	8	8	9	8	11	10	13
Air throw streamers	m	-	-	-	-	-	-	-
Fin spacing	mm	4	4	4	4	4	4	4
Internal surface	m ²	0,57	0,73	1,1	1,46	1,65	2,19	2,2
External surface	m ²	7,56	9,7	14,6	19,4	21,9	29,1	29,2
Coil connections	In tube (mm)	12	12	12	12	12	12	12
	Out tube (mm)	12	12	22	22	22	22	28
Net weight	m	13	14,5	21,5	24	30	33	38

Model	GCE	251 E6R	251 E6	252 G6	252 E6	253 G6	253 E6	254 G6
Nominal capacity	kW	1,14	1,44	2,28	2,81	3,45	4,18	4,61
Air flow	m ³ /h	753	813	1695	1626	2540	2430	3390
Air throw	m	9	9	10	9	12	11	14
Air throw streamers	m	-	-	-	-	-	-	-
Fin spacing	mm	6	6	6	6	6	6	6
Internal surface	m ²	0,57	0,73	1,1	1,46	1,65	2,19	2,2
External surface	m ²	5,17	6,6	9,94	13,2	14,9	19,9	19,9
Coil connections	In tube (mm)	12	12	12	12	12	12	12
	Out tube (mm)	12	12	22	22	22	22	22
Net weight	m	12	13,5	20	22,5	28	31	35,5

Model	GCE	251 E8R	251 E8	252 G8	252 E8	253 G8	253 E8	254 G8
Nominal capacity	kW	1,07	1,23	1,96	2,45	2,95	3,66	3,92
Air flow	m ³ /h	800	840	1725	1690	2585	2530	3450
Air throw	m	8	8	9	8	11	10	13
Air throw streamers	m	-	-	-	-	-	-	-
Fin spacing	mm	8	8	8	8	8	8	8
Internal surface	m ²	0,57	0,73	1,1	1,46	1,65	2,19	2,2
External surface	m ²	3,97	5,1	7,66	10,2	11,5	15,3	15,3
Coil connections	In tube (mm)	12	12	12	12	12	12	12
	Out tube (mm)	12	12	22	22	22	22	22
Net weight	m	12	13,5	20	22,5	28	31	35,5

Common data							Tested by TÜV SÜD	
Fan motors	n° x Ø mm	1x250	1x250	2x250	2x250	3x250	3x250	4x250
Fan motors absorp.	A	0,68	0,68	1,36	1,36	2,04	2,04	2,72
Nominal power	W	95	95	190	190	285	285	380
Fan motors absorp. EC	A	0,19	0,19	0,38	0,38	0,57	0,57	0,76
Nominal power EC	W	26	26	52	52	78	78	104
Circuit capacity	dm ³	0,93	1,07	1,6	2,14	2,41	3,21	3,2
Electric defrost	W	750	-	-	-	-	-	-
Powerful electric defrost	W	-	1350	2700	2700	3990	3990	5250
Drain connection	Ø (GAS)	1"	1"	1"	1"	1"	1"	1"

1) Option.

- For brine cooler capacities please use "Scelte" selection software.

254 E4	311 F4	312 F4	313 F4	314F4	351 E4	351A4	352 E4	352 A4	353 F4	353A4	354 F4	354 A4	355 A4
6,66	3,21	6,33	9,66	12,77	3,92	4,83	7,99	9,92	13,20	15,05	17,20	19,97	24,28
3070	1500	3000	4495	6000	2425	2235	4850	4472	7050	6710	9400	8950	11180
12	11	14	16	18	14	13	16	15	18	17	20	19	21
-	18	22	22	23	20	18	23	22	26	25	29	28	29
4	4	4	4	4	4	4	4	4	4	4	4	4	4
2,92	1,25	2,5	3,75	5	1,19	1,79	2,38	3,58	4,48	5,37	5,97	7,16	8,95
38,8	16,5	33	49,5	66	15,25	22,9	30,5	45,8	59,5	68,7	79,2	91,6	114,5
16	12	12	16	22	12	12	16	16	22	22	22	28	28
28	22	28	28	28	22	22	28	28	28	35	35	42	42
41,5	20	34	47,5	61	22	26,5	41	48	58	63	77	83,5	103

254 E6	311 F6	312 F6	313 F6	314F6	351 E6	351A6	352 E6	352 A6	353 F6	353A6	354 F6	354 A6	355 A6
5,61	2,74	5,47	8,28	10,97	3,26	4,31	6,75	8,85	11,20	13,29	15,10	17,70	21,41
3250	1595	3190	4970	6390	2580	2430	5160	4850	7510	7280	9860	9705	12130
13	12	15	17	19	15	14	17	16	19	18	21	20	22
-	19	23	23	24	21	19	24	23	27	26	30	29	30
6	6	6	6	6	6	6	6	6	6	6	6	6	6
2,92	1,25	2,5	3,75	5	1,19	1,79	2,38	3,58	4,48	5,37	5,97	7,16	8,95
26,5	11,3	22,6	33,9	45,2	10,9	15,8	21,7	31,5	40,6	47,3	54,2	63	78,8
16	12	12	16	16	12	12	16	16	16	22	22	28	28
28	22	28	28	28	22	22	28	28	28	35	35	42	42
39	19	32,5	45	58,5	21	25,5	39,5	46	55	60,5	74	80,5	97

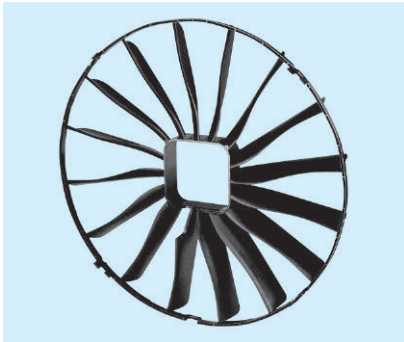
254 E8	311 F8	312 F8	313 F8	314 F8	351 E8	351A8	352 E8	352 A8	353 F8	353A8	354 F8	354 A8	355 A8
4,92	2,48	4,96	7,44	9,97	2,92	3,88	5,99	7,94	10,10	12,00	13,40	16,12	19,58
3370	1650	3290	4950	6580	2640	2500	5270	5000	7740	7510	10315	10000	12500
12	11	14	16	18	14	13	16	15	18	17	20	19	21
-	-	22	22	23	20	18	23	22	26	25	29	28	29
8	8	8	8	8	8	8	8	8	8	8	8	8	4
2,92	1,25	2,5	3,75	5	1,19	1,79	2,38	3,58	4,48	5,37	5,97	7,16	8,95
26,01	8,65	17,3	26	34,6	8,3	12,5	16,6	25	31,2	37,5	41,7	50	62,5
16	12	12	16	16	12	12	16	16	16	22	22	28	28
28	22	28	28	35	22	22	28	28	35	35	42	42	42
39	19	32,5	45	58,5	21	25,5	39,5	46	55	60,5	75	81,5	98,5

4x250	1x315	2x315	3x315	4x315	1x350	1x350	2x350	2x350	3x350	3x350	4x350	4x350	5x350
2,72	0,52	1,04	1,56	2,08	0,96	0,96	1,92	1,92	2,88	2,88	3,84	3,84	4,80
380	110	220	330	440	185	185	370	370	555	555	740	740	925
0,76	-	-	-	-	0,87	0,87	1,74	1,74	2,61	2,61	3,48	3,48	4,35
104	-	-	-	-	150	150	300	300	450	450	600	600	750
4,28	1,83	3,66	5,49	7,32	1,76	2,64	3,52	5,28	6,49	7,92	8,64	10,56	13,2
-	-	-	-	-	1750	2250	3150	4050	4900	6300	6300	8100	9900
5250	1750	3150	4900	6300	2000	2750	3600	4950	5600	7700	7200	9900	12100
1"	1"	1"	1"	1"	1"	1"	1"	1"	1"	1"	1"	1"	1"

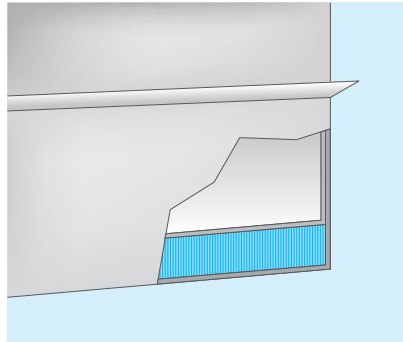


Tested models:
GCE 253 E6
GCE 312 F8

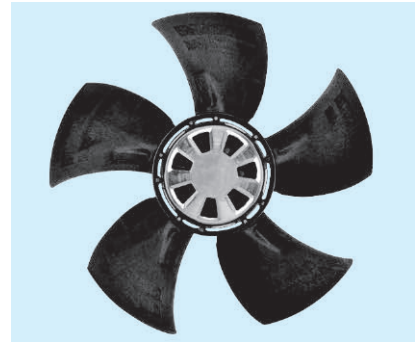
Options and special versions



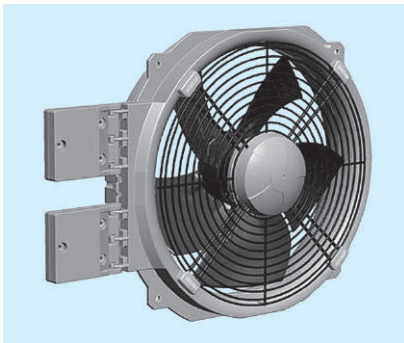
- Streamers



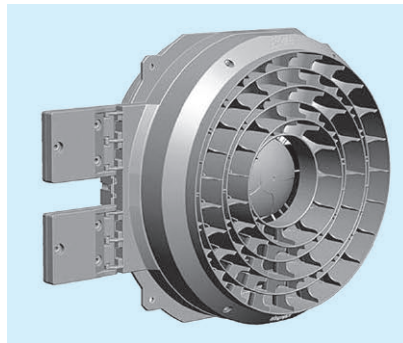
- Drain pan with insulation



- EC motor (electronically commutated)



- Electronically commutated (AxiCool) fan motors equipped with hinged access and fan guard (ECG) only for Ø 350 mm fan motors.



- Electronically commutated (AxiCool) fan motors equipped with hinged access and streamers (ECS) only for Ø 350 mm fan motors.