

Data sheets

For standard refrigerants > Standard series

| Technical data: | | |
|--|-------------|-------------------------------|
| Cylinders | # | 6 |
| Displacement @ 50 Hz | m3/h [50Hz] | 125.7 |
| Displacement @ 60 Hz | m3/h [60Hz] | 150.9 |
| Motor version[1] | | 1 |
| Nominal Motor power | HP | 40 |
| Nominal Motor power | kW | 30 |
| Motor voltage at 50 Hz[2] | V/ph/Hz | 380-420V/3/50Hz PWS |
| Motor voltage at 60 Hz[2] | V/ph/Hz | 440-480V/3/60Hz PWS |
| PWS partition | | 50-50 |
| CC Head capacity control steps | % | 100-66-33 |
| MRA, max operating current at 400V/50Hz and 460V/60Hz | A | 71.9 |
| LRA, max starting current at 400V/50Hz and 460V/60Hz, PWS motor | A | 159.2 |
| LRA, max starting current at 400V/50Hz and 460V/60Hz, PWS motor-DOL connection | A | 273 |
| Max power consumption | kW | 40.7 |
| Frequency min | Hz | 30 |
| Frequency max[3] | Hz | 70 |
| Electric terminal box class protection | | IP65 |
| Maximum pressure HP | bar | 30 |
| Maximum pressure LP | bar | 20.5 |
| Oil type[4] | | POE68 |
| Oil charge (3/4 of sight glass) | l | 7.2 |
| Lubrication type | | Oil pump |
| Suction valve (SV) | inch | 2 ⁵ / ₈ |
| Discharge valve (DV) | inch | 1 ⁵ / ₈ |
| Net weight | kg | 240 |
| Max Length | mm | 806 |
| Max Width | mm | 509 |
| Max Height | mm | 536 |
| Rubber mounts diameter | mm | 50 |
| Rubber mounts height | mm | 40 |
| Rubber mounts shore | sh | 55 |
| Sound power level (-10/45, R404A)[5] | dB(A) | 83.5 |
| Sound pressure level @ 1m (-10/45, R404A)[5] | dB(A) | 75.5 |
| Compressor body material | | Ghisa GJL250 |
| RSH Head capacity control steps | % | 100-83-66-50 |
| Motor protection | | AMS |
| Control, diagnostics and protection device | | INT69® TML Diagnose |
| Oil level sight glass | # | 2 |

[1] Motor version: 1 = high and mid temp. all refrigerants; 2 = low and mid temp. all refrigerants; 3 = ECOinside, low temp. R134a, R1234ze, R1234yf only

[2] Other motor voltage available on request

[3] Maximum frequency depends on the working conditions: use the FSS.3 (Frascold selection software)

[4] For alternative lubricants refer to bulletin FTEC022

[5] Sound pressure in free field, hemispherical model at 1 meter distance, 50Hz; PWL and SPL in different conditions are available on

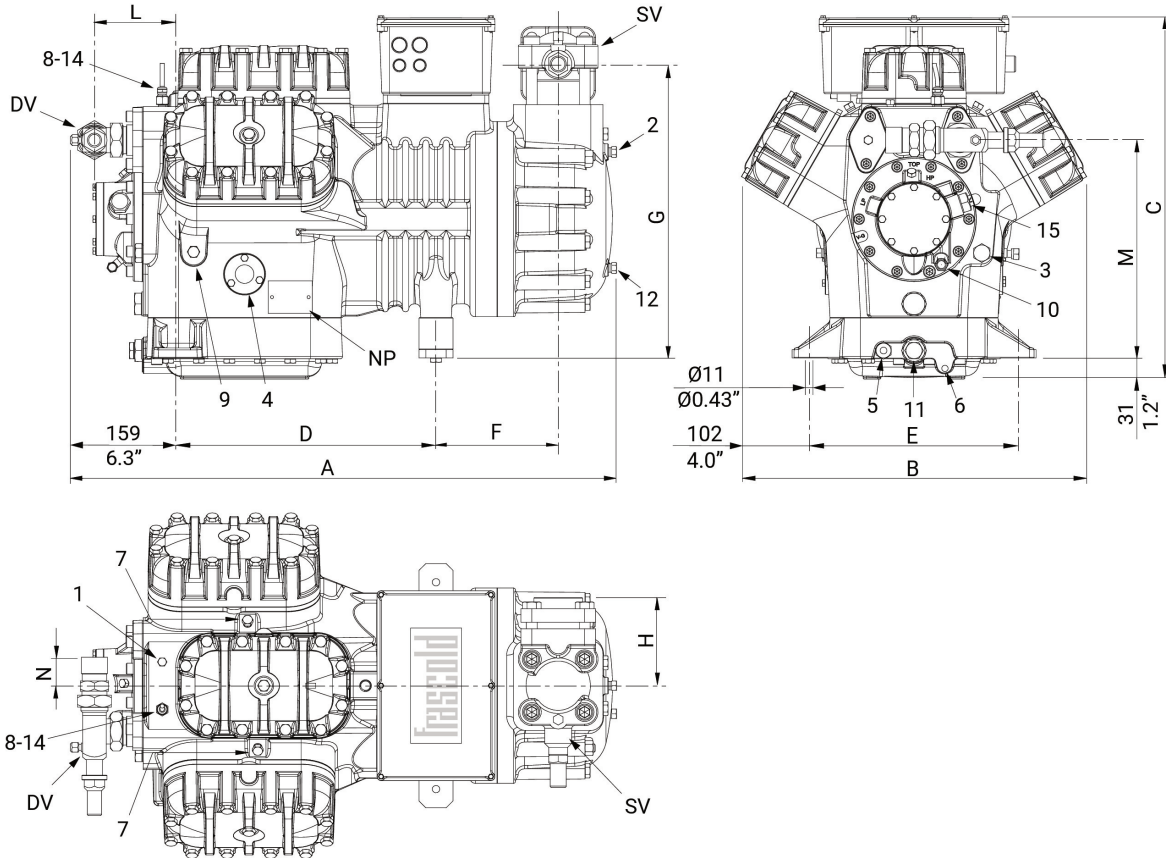
Data sheets

For standard refrigerants > Standard series

| Accessories: | |
|--|-------------|
| Oil heater (230V-150W) | T00CH9-RIC |
| RSH capacity control head 230V AC | T00SK220400 |
| CC capacity control head 230V AC | T00SK220200 |
| US unloader start head 230V AC | T00SK250200 |
| Head cooling fan - 230-400V/3/50-60Hz | SZ-FM3 |
| Water cooled head | T00SK50000 |
| Electronic oil level switch (230V) | T00WK252 |
| Electronic oil level regulator - INT280 Diagnose 230V AC | T00EC1900 |
| Kit adapters for oil equalization line - 1" ROT 5/8" ODS | T00SK170200 |
| Kit adapters for oil equalization line - 1"1/4 ROT 1"1/8 ODS | T00SK170300 |
| DP Modbus Gateway | T00EC59 |
| Connection cable Modbus Gateway - INT69 | T00EC65 |
| USB adapter cable | T00EC57 |
| FLI electronic liquid injection kit | SZ-FLI/3 |

Data sheets

For standard refrigerants > Standard series



Dimensional drawing:

| | | |
|--------------------------|------|-----------------|
| SV Suction valve (SV) | mm | 67 |
| DV Discharge valve (DV) | mm | 42 |
| SV Suction valve (SV) | inch | 2 $\frac{5}{8}$ |
| DV Discharge valve (DV) | inch | 1 $\frac{5}{8}$ |
| A Length (A) | mm | 806 |
| B Width (B) | mm | 509 |
| C Height (C) | mm | 536 |
| D Base mounting (D) | mm | 381 |
| E Base mounting (E) | mm | 305 |
| F Suction valve (F) | mm | 180 |
| G Suction valve (G) | mm | 433 |
| H Suction valve (H) | mm | 130 |
| L Discharge valve (L) | mm | 123 |
| M Discharge valve (M) | mm | 321 |
| N Discharge valve (N) | mm | 42 |
| 1 High pressure plug (1) | | 1/8" NPT |

| | | |
|--|--|----------|
| 2 Low pressure plug (2) | | 1/4" NPT |
| 3 Oil charge plug (3) | | 3/8" GAS |
| 4 Oil level sight glass (4) | | - |
| 5 Crankcase heater (5) | | - |
| 6 Oil drain plug (6) | | 1/4" GAS |
| 7 Liquid injection valve plug (7) | | 1/4" NPT |
| 8 Liquid injection sensor plug (8) | | 1/8" NPT |
| 9 Oil pressure switch connection (LP) | | 1/4" NPT |
| 10 Oil pressure switch connection (HP) | | 1/4" SAE |
| 11 Oil filter (11) | | 3/8" GAS |
| 12 Oil return plug (12) | | 1/4" NPT |
| 14 Max. discharge temperature sensor (14) | | - |
| 15 Electronic oil pressure switch connection | | - |
| NP Name Plate (NP) | | - |