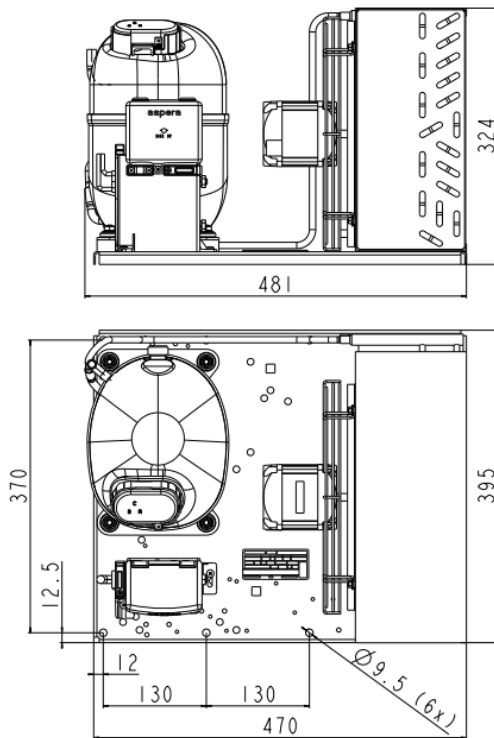


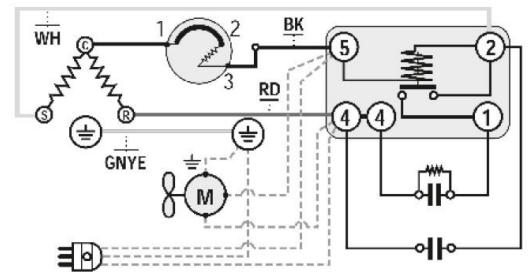
GENERAL DATA

Application:	M/HBP
Refrigerant:	R134a
Expansion Device:	C-V
Weight:	32.2 kg
Receiver:	0 liter
Voltage/Frequency:	220 - 240 V 50 ~
Height:	32.2 mm
Length:	481 mm
Width:	395 mm
Institute Approvals:	CE

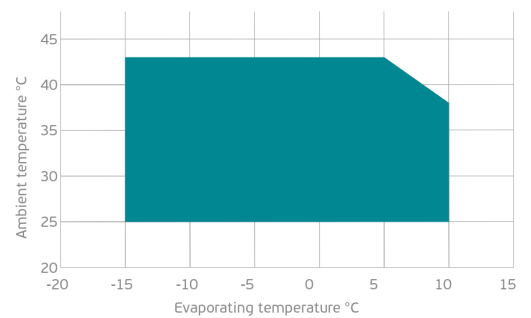
EXTERNAL DIMENSIONS



WIRING DIAGRAM



OPERATING ENVELOPE



COMPONENTS (SPARE PARTS)

condenser:	3R12T	2451140
compressor:	NJ6226Z	142HA14..AC

fankit:	34W 275/31/5B	1996583
elkit:	ELKOM NJ6226Z	142HA1414A

For additional accessories please contact our technical support

ELECTRICAL DATA

Motor Type: CSR -
Locked Rotor Amperage (LRA): 31 A
Max.Current: 6.75 A

At maximum evaporating temperature and maximum ambient temperature.

FAN MOTOR

Number: 1 -
Shaft Power: 34 W
Air Flow: 640 m³/h
Blade Diameter: 275 mm

PERFORMANCE CURVE DATA

Standard: EN13215-RG20 / return gas 20°C, subcooling 3K

50 Hz

	Evaporating Temperature (°C)	Cooling Capacity (W)	Power Consumption (W)	Current Consumption (A)	Efficiency (W/W)
25 °C Ambient Temperature	10°C	3 223	1 423	6.98	2.27
	5°C	2 824	1 264	6.29	2.23
	0°C	2 435	1 121	5.68	2.17
	-5°C	2 057	992	5.15	2.07
	Rated point -10°C	1 691	879	4.68	1.92
	-15°C	1 339	781	4.30	1.72
32 °C Ambient Temperature	10°C	2 933	1 467	7.19	2.00
	5°C	2 565	1 304	6.49	1.97
	0°C	2 209	1 156	5.86	1.91
	-5°C	1 865	1 024	5.30	1.82
	Rated point -10°C	1 536	907	4.83	1.69
	-15°C	1 221	804	4.43	1.52
43 °C Ambient Temperature	5°C	2 222	1 405	6.92	1.58
	0°C	1 900	1 240	6.20	1.53
	-5°C	1 593	1 090	5.56	1.46
	Rated point -10°C	1 303	956	5.00	1.36
	-15°C	1 030	836	4.53	1.23