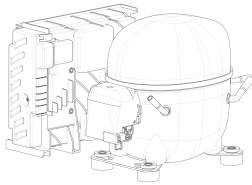


220-240V 1~



### GENERAL DATA

**Application:** LBP  
**Refrigerant:** R290  
**Evaporating Temperature Range:** -40°C to -10°C  
**Compressor Cooling:** Fan  
**Fan air flow:** 520 m<sup>3</sup>/h  
**Type:** Hermetic reciprocating  
**Technology Type:** VCC  
**Expansion Device:** Capillary Tube or Expansion Valve  
**Packing Quantity:** Multi - 40 pcs  
**Displacement:** 7.28 cm<sup>3</sup>

Approvals:   

### MECHANICAL DATA

**Bore:** 26.5 mm  
**Stroke:** 13.2 mm  
**Oil Charge:** 500ml +/-15ml  
**Free Internal Volume:** 2.1 cm<sup>3</sup>  
**Maximum Recommended Refrigerant Charge:** 150 g  
**Oil Type Configuration:** Polyolester  
**Oil Type Viscosity:** ISO22  
**Compressor pressurization:** Without dry air charge  
**Weight:** 14.2 kg

### ELECTRICAL DATA

**Motor Type:** BPM  
**Starting Torque:** HST  
**Voltage working range at 50 Hz:** 150 (160)-240 V  
**Voltage working range at 60 Hz:** 150 (160) V  
**Maximum Motor Temperature:** 130 °C  
**Start Winding Resistance:** 3.82 Ω (± 10%) at 25°C  
**Run Winding Resistance:** 2.53 Ω (± 10%) at 25°C  
**Locked Rotor Amperage (LRA):** 6 A

### MOUNTING ACCESSORIES

	Description	Code
<b>Terminal Board:</b>	no	-
<b>Capacitor Bracket:</b>	no	-
<b>Grommets:</b>	yes	2221004
<b>Sleeves:</b>	yes	2222016
<b>Washer:</b>	no	-
<b>Pin:</b>	no	-
<b>Clip:</b>	no	-
<b>Rotolock valve:</b>	no	-
<b>Cover:</b>	yes	2075282
<b>Anchorage:</b>	yes	1027058
<b>Overload Protector Bracket:</b>	yes	2075299

### ELECTRICAL COMPONENTS

	Component type	Description	Code
<b>Inverter:</b>	HP DROP IN	500W 220V	519302005
<b>Motor Protection:</b>	External 3/4"	MST40AMK-3166	2288314

### EXTERNAL CHARACTERISTICS

**Base Plate:** Universal  
**Tray Holder:** No  
**Height:** 206 mm

	Internal Diameter (mm)	Material	Shape
<b>Suction Connector</b>	8.1	Copper	Slanted 42°
<b>Discharge Connector</b>	6.45	Copper	Straight
<b>Process Connector</b>	6.45	Copper	Slanted 42°

**RATED POINT DATA**

Cooling Capacity (W)	Power Consumption (W)	Current Consumption (A)	Gas Flow Rate (kg/h)	Efficiency (W/W)
±5%	±5%	±5%	±5%	±7%
117	110	0.53	1.26	1.06

Test condition: EN 12900, Fan, Return Gas 20°C, Subcooling 0K, Evaporating: -35°C, Condensing: 40°C, Ambient: 35°C

**PERFORMANCE CURVE DATA**

**2000 RPM**

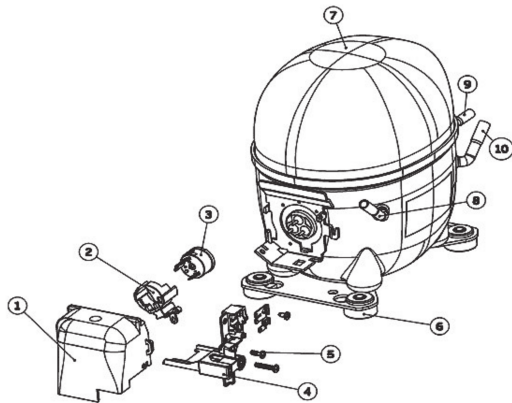
Condensing Temperature (°C)	Evaporating Temperature (°C)	Cooling Capacity (W)	Power Consumption (W)	Current Consumption (A)	Gas Flow Rate (kg/h)	Efficiency (W/W)
		±5%	±5%	±5%	±5%	±7%
<b>35°C</b>	-10	428	160	0.76	4.51	2.68
	-15	350	151	0.72	3.66	2.32
	-20	281	141	0.68	2.93	1.99
	-25	221	131	0.63	2.30	1.69
	-30	172	120	0.58	1.78	1.43
	-35	132	109	0.53	1.36	1.21
	-40	101	96	0.47	1.04	1.05

Condensing Temperature (°C)	Evaporating Temperature (°C)	Cooling Capacity (W)	Power Consumption (W)	Current Consumption (A)	Gas Flow Rate (kg/h)	Efficiency (W/W)
		±5%	±5%	±5%	±5%	±7%
<b>45°C</b>	-10	369	179	0.84	4.24	2.06
	-15	296	166	0.78	3.38	1.78
	-20	233	153	0.72	2.65	1.52
	-25	179	139	0.66	2.03	1.29
	-30	136	126	0.60	1.54	1.08
	-35	103	112	0.54	1.16	0.92

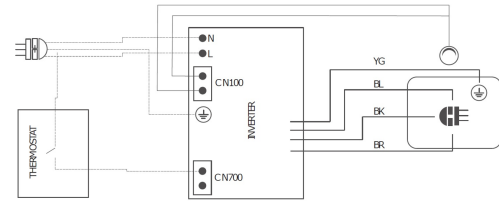
Condensing Temperature (°C)	Evaporating Temperature (°C)	Cooling Capacity (W)	Power Consumption (W)	Current Consumption (A)	Gas Flow Rate (kg/h)	Efficiency (W/W)
		±5%	±5%	±5%	±5%	±7%
<b>55°C</b>	-10	309	198	0.92	3.97	1.56
	-15	241	181	0.84	3.10	1.33
	-20	184	164	0.76	2.37	1.12
	-25	137	148	0.69	1.77	0.93
	-30	100	132	0.62	1.30	0.76

Test condition: EN 12900, Fan, Return Gas 20°C, Subcooling 0K, Ambient: 35°C

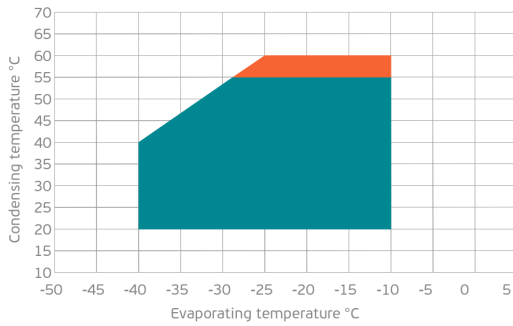
## ASSEMBLY INSTRUCTION



## WIRING DIAGRAM

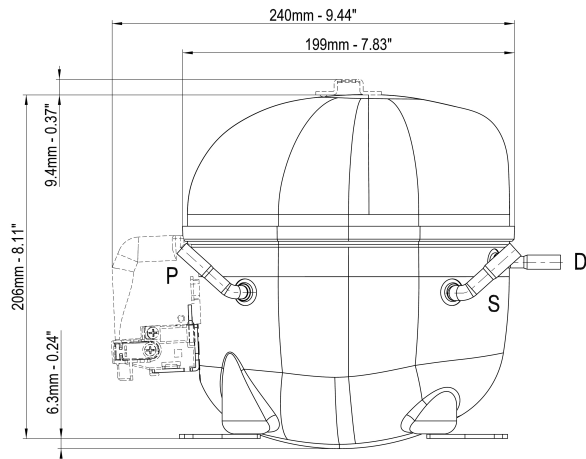


## OPERATING ENVELOPE



- Operating Condition
- Transient Condition
- Superheating

**NOTE:** usage of compressors outside of intended working range cannot make use of the warranty, or should be consulted with Technical support.



	∅ mm	∅ in	Material
<b>S - Suction</b>	8.10 - 8.20	0.32	Cu
<b>P - Process</b>	6.45 - 6.55	0.25	Cu
<b>D - Discharge</b>	6.45 - 6.55	0.25	Cu

