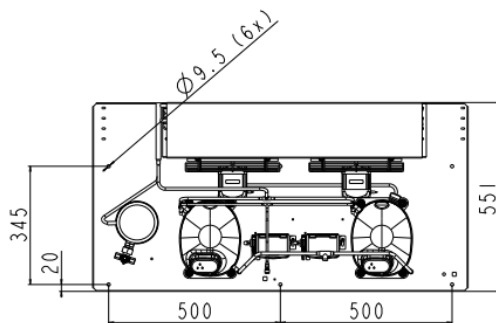
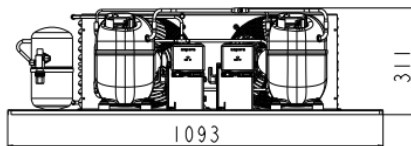


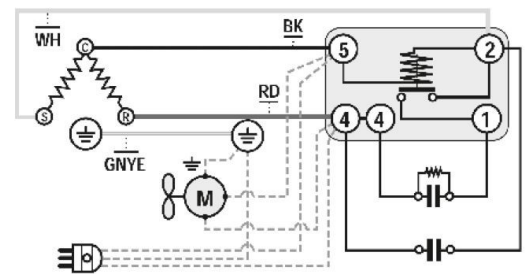
### GENERAL DATA

<b>Application:</b>	LBP
<b>Refrigerant:</b>	R404A
<b>Expansion Device:</b>	C-V
<b>Weight:</b>	75 kg
<b>Receiver:</b>	2.3 liter
<b>Voltage/Frequency:</b>	220 - 240 V 50 ~
<b>Height:</b>	75 mm
<b>Length:</b>	551 mm
<b>Width:</b>	1093 mm
<b>Institute Approvals:</b>	<b>CE</b>

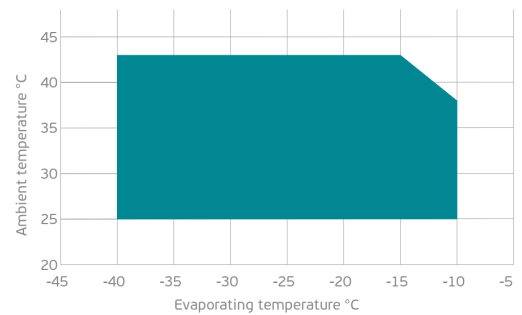
### EXTERNAL DIMENSIONS



### WIRING DIAGRAM



### OPERATING ENVELOPE



### COMPONENTS (SPARE PARTS)

<b>valve_disch:</b>	SOLDER 3/8"	2110049
<b>fankit:</b>	16W 254/28/5B	1996609
<b>elkit:</b>	ELKOM NJ2192GK	944AA1904A

<b>valve_disch:</b>	SOLDER 3/8"	2110049
<b>fankit:</b>	16W 254/28/5B	1996609
<b>elkit:</b>	ELKOM NJ2192GK	944AA1904A

For additional accessories please contact our technical support

### ELECTRICAL DATA

Motor Type:	CSR -
Locked Rotor Amperage (LRA):	52 A
Max.Current:	8.62 A

At maximum evaporating temperature and maximum ambient temperature.

### FAN MOTOR

Number:	1 -
Shaft Power:	16 W
Air Flow:	1325 m <sup>3</sup> /h
Blade Diameter:	254 mm

### PERFORMANCE CURVE DATA

Standard: EN13215-RG20 / return gas 20°C, subcooling 3K

50 Hz

	Evaporating Temperature (°C)	Cooling Capacity (W)	Power Consumption (W)	Current Consumption (A)	Efficiency (W/W)
25 °C Ambient Temperature	-10°C	3 691	2 476	11.77	1.49
	-15°C	3 218	2 176	10.33	1.48
	-20°C	2 707	1 910	9.07	1.42
	-25°C	2 197	1 675	7.95	1.31
	-30°C	1 728	1 468	6.99	1.18
	Rated point -35°C	1 342	1 285	6.16	1.04
	-40°C	1 079	1 122	5.46	0.96
32 °C Ambient Temperature	-10°C	3 351	2 556	12.15	1.31
	-15°C	2 932	2 242	10.65	1.31
	-20°C	2 468	1 965	9.33	1.26
	-25°C	2 001	1 723	8.18	1.16
	-30°C	1 571	1 511	7.20	1.04
	Rated point -35°C	1 218	1 328	6.37	0.92
	-40°C	983	1 168	5.68	0.84
43 °C Ambient Temperature	-15°C	2 475	2 394	11.37	1.03
	-20°C	2 092	2 091	9.92	1.00
	-25°C	1 698	1 828	8.68	0.93
	-30°C	1 333	1 600	7.62	0.83
	Rated point -35°C	1 038	1 406	6.74	0.74
	-40°C	853	1 241	6.03	0.69