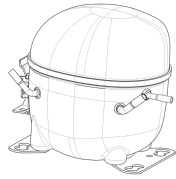


115V 60 1~**GENERAL DATA**

Application: LBP
Refrigerant: R290
Evaporating Temperature Range: -40°C to -10°C
Compressor Cooling: Fan
Fan air flow: 520 m³/h
Type: Hermetic reciprocating
Technology Type: On-Off
Expansion Device: Capillary Tube or Expansion Valve
Packing Quantity: Multi - 28 pcs
Displacement: 13.54 cm³
Horse power: 1.2 hp

Approvals:   

MECHANICAL DATA

Bore: 29.36 mm
Stroke: 20 mm
Oil Charge: 350ml +/-15ml
Free Internal Volume: 2.1 cm³
Maximum Recommended Refrigerant Charge: 150 g
Oil Type Configuration: Polyolester
Oil Type Viscosity: ISO22
Compressor pressurization: Without dry air charge
Weight: 12.1 kg

ELECTRICAL DATA

Motor Type: CSR
Starting Torque: HST
Voltage working range at 60 Hz: 103-127 V
Maximum Motor Temperature: 130 °C
Start Winding Resistance: 4.5 Ω (± 10%) at 25°C
Run Winding Resistance: 0.77 Ω (± 10%) at 25°C
Locked Rotor Amperage (LRA): 42 A

MOUNTING ACCESSORIES

	Description	Code
Terminal Board:	no	-
Anchorage:	no	-
Capacitor Bracket:	no	-
Washer:	no	-
Pin:	no	-
Clip:	no	-
Rotolock valve:	no	-
Overload Protector Bracket:	yes	2075299
Cover:	yes	2075278
Grommets:	yes	2221003
Sleeves:	yes	2222015

ELECTRICAL COMPONENTS

	Component type	Description	Code
Starting Device:	Potential relay	RVA9AD3C-121	1253050
Run Capacitor:		25 MFD	2253313
Start Capacitor:		189-227 MFD 250V	2252288
Motor Protection:	External 3/4"	T0793/G9	2321086
CSR / CSIR Box:	yes		1262234

EXTERNAL CHARACTERISTICS

Base Plate: Universal
Tray Holder: No
Height: 206 mm

	Internal Diameter (mm)	Material	Shape
Suction Connector	8.1	Copper	Slanted 42°
Discharge Connector	6.45	Copper	Straight
Process Connector	6.45	Copper	Slanted 42°

RATED POINT DATA

Cooling Capacity (W)	Power Consumption (W)	Current Consumption (A)	Gas Flow Rate (kg/h)	Efficiency (W/W)
±5%	±5%	±5%	±5%	±7%
555	493	5.44	7.70	1.13

Test condition: ARI 540, Fan, Return Gas 4.4°C, Subcooling OK, Evaporating: -23.3°C, Condensing: 49°C, Ambient: 35°C

PERFORMANCE CURVE DATA**115V 60Hz**

Condensing Temperature (°C)	Evaporating Temperature (°C)	Cooling Capacity (W)	Power Consumption (W)	Current Consumption (A)	Gas Flow Rate (kg/h)	Efficiency (W/W)
		±5%	±5%	±5%	±5%	±7%
35°C	-10	1 213	562	6.20	14.84	2.16
	-15	993	523	5.80	12.05	1.90
	-20	801	483	5.43	9.65	1.66
	-25	635	442	5.08	7.61	1.44
	-30	497	401	4.74	5.92	1.24
	-35	385	360	4.40	4.58	1.07
	-40	300	320	4.05	3.55	0.94

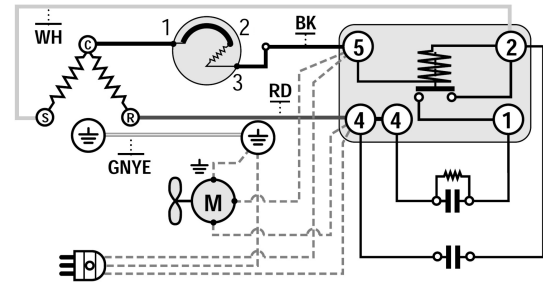
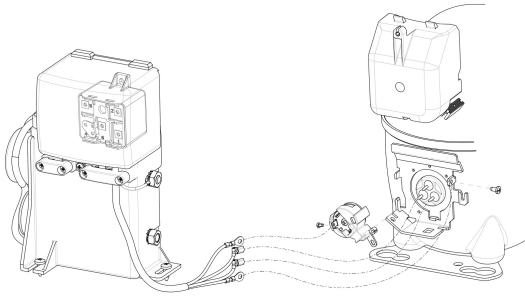
Condensing Temperature (°C)	Evaporating Temperature (°C)	Cooling Capacity (W)	Power Consumption (W)	Current Consumption (A)	Gas Flow Rate (kg/h)	Efficiency (W/W)
		±5%	±5%	±5%	±5%	±7%
45°C	-10	1 046	615	6.44	14.17	1.70
	-15	858	564	6.02	11.52	1.52
	-20	692	514	5.62	9.22	1.35
	-25	549	466	5.24	7.27	1.18
	-30	429	420	4.87	5.65	1.02
	-35	331	376	4.49	4.35	0.88

Condensing Temperature (°C)	Evaporating Temperature (°C)	Cooling Capacity (W)	Power Consumption (W)	Current Consumption (A)	Gas Flow Rate (kg/h)	Efficiency (W/W)
		±5%	±5%	±5%	±5%	±7%
55°C	-10	873	666	6.72	13.34	1.31
	-15	715	604	6.26	10.82	1.18
	-20	576	545	5.83	8.63	1.06
	-25	455	489	5.41	6.77	0.93
	-30	353	438	5.00	5.23	0.81

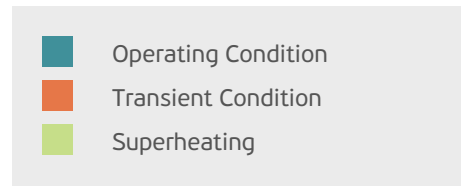
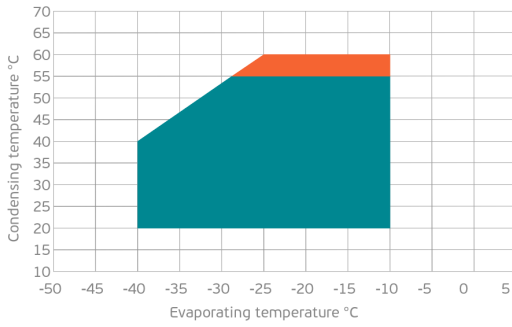
Test condition: ARI 540, Fan, Return Gas 4.4°C, Subcooling OK, Ambient: 35°C

ASSEMBLY INSTRUCTION

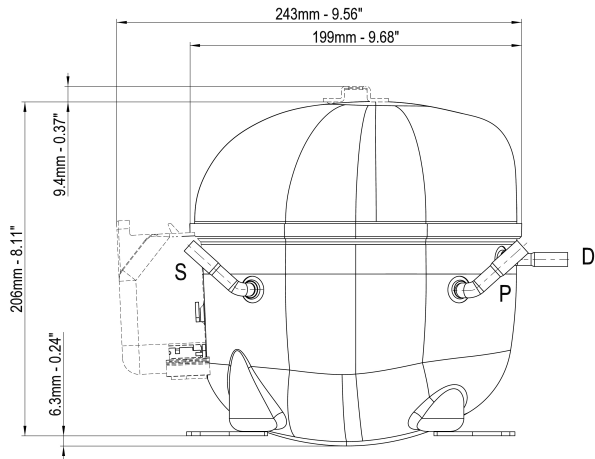
WIRING DIAGRAM



OPERATING ENVELOPE



NOTE: usage of compressors outside of intended working range cannot make use of the warranty, or should be consulted with Technical support.



	∅ mm	∅ in	Material
S - Suction	8.10 - 8.20	0.32	Cu
P - Process	6.45 - 6.55	0.25	Cu
D - Discharge	6.45 - 6.55	0.25	Cu

