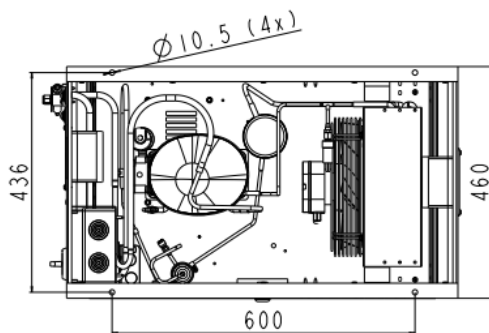
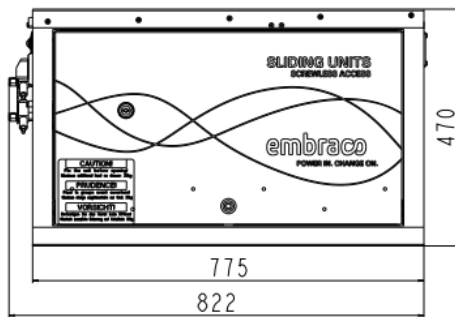


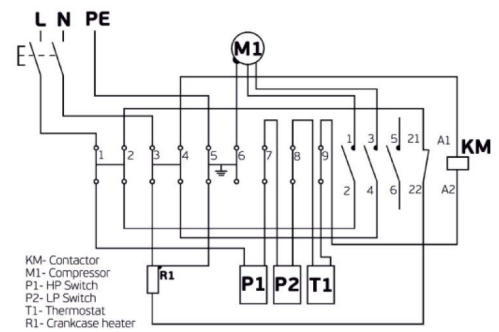
GENERAL DATA

Application:	M/HBP
Refrigerant:	R134a
Expansion Device:	C-V
Weight:	66 kg
Receiver:	1.1 liter
Voltage/Frequency:	220 - 240 V 50 ~
Height:	66 mm
Length:	822 mm
Width:	460 mm
Institute Approvals:	CE

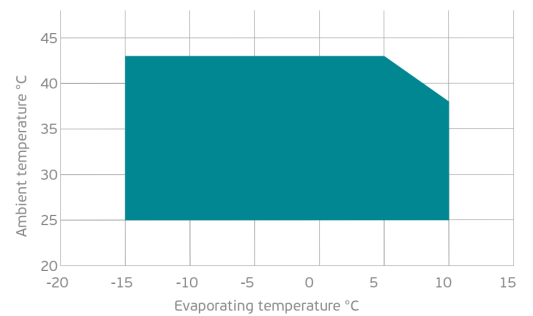
EXTERNAL DIMENSIONS



WIRING DIAGRAM



OPERATING ENVELOPE



COMPONENTS (SPARE PARTS)

condenser:	3R11T	2451206
sightglass:	SIGHT GLASS 6MM ODF	2464031
lpressostat:	PS1-A3K	2466036
heater:	CRANKCASE HEATER 230V/40W	2464205
valve_suca:	SOLDER 3/8"	2110119
compressor:	NEK6212Z	269AA51..AM

dryer:	FILTER DRYER 6MM ODF	2730006
hpressostat:	P100CP-102D	2466033
fankit:	AXIAL FAN 230V/50HZ/1PH	1996726
flexihose:	FLEXI HOSE 10MM ODF	2464241
valve_disch:	SOLDER 1/4"	2110120
elkit:	ELKOM NEK6212Z	269AA51N1A

For additional accessories please contact our technical support

ELECTRICAL DATA

Motor Type: CSIR -
Locked Rotor Amperage (LRA): 19.5 A
Max.Current: 3.78 A

At maximum evaporating temperature and maximum ambient temperature.

FAN MOTOR

Number: 1 -
Shaft Power: - W
Air Flow: 840 m³/h
Blade Diameter: 250 mm

PERFORMANCE CURVE DATA

Standard: EN13215-RG20 / return gas 20°C, subcooling 3K

50 Hz

	Evaporating Temperature (°C)	Cooling Capacity (W)	Power Consumption (W)	Current Consumption (A)	Efficiency (W/W)
25 °C Ambient Temperature	10°C	1 460	646	3.86	2.26
	5°C	1 253	582	3.63	2.15
	0°C	1 063	524	3.44	2.03
	-5°C	888	471	3.28	1.88
	Rated point -10°C	730	425	3.15	1.72
	-15°C	589	384	3.06	1.53
32 °C Ambient Temperature	10°C	1 328	666	3.98	1.99
	5°C	1 139	600	3.75	1.90
	0°C	965	540	3.55	1.79
	-5°C	807	486	3.38	1.66
	Rated point -10°C	664	438	3.25	1.52
	-15°C	536	396	3.16	1.35
43 °C Ambient Temperature	5°C	958	651	3.91	1.47
	0°C	807	583	3.67	1.38
	-5°C	668	522	3.48	1.28
	Rated point -10°C	544	467	3.32	1.17
	-15°C	433	419	3.19	1.03