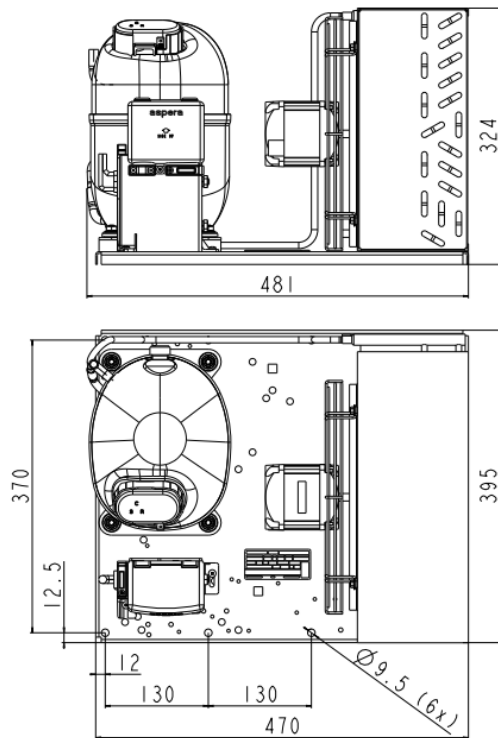


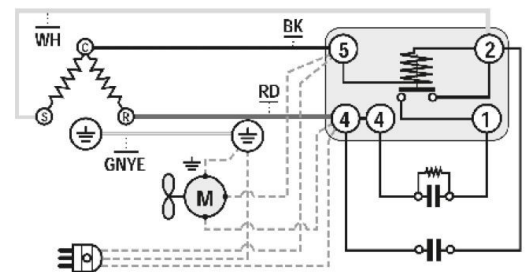
### GENERAL DATA

<b>Application:</b>	LBP
<b>Refrigerant:</b>	R404A
<b>Expansion Device:</b>	C-V
<b>Weight:</b>	35.8 kg
<b>Receiver:</b>	0 liter
<b>Voltage/Frequency:</b>	<b>220 - 240 V 50 ~</b>
<b>Height:</b>	35.8 mm
<b>Length:</b>	481 mm
<b>Width:</b>	395 mm
<b>Institute Approvals:</b>	<b>CE</b>

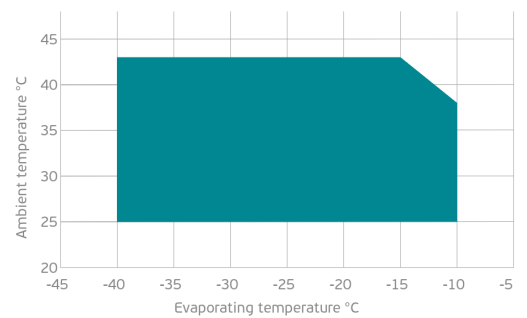
### EXTERNAL DIMENSIONS



### WIRING DIAGRAM



### OPERATING ENVELOPE



### COMPONENTS (SPARE PARTS)

<b>condenser:</b>	3R12T	2451140
<b>elkit:</b>	ELKOM NJ2212GK	943DA1904A

<b>fankit:</b>	34W 275/31/5B	1996583
<b>compressor:</b>	NJ2212GK	943DA11..AC

For additional accessories please contact our technical support

**ELECTRICAL DATA**

**Motor Type:** CSR -  
**Locked Rotor Amperage (LRA):** 36 A  
**Max.Current:** 6.5 A

At maximum evaporating temperature and maximum ambient temperature.

**FAN MOTOR**

**Number:** 1 -  
**Shaft Power:** 34 W  
**Air Flow:** 800 m<sup>3</sup>/h  
**Blade Diameter:** 275 mm

**PERFORMANCE CURVE DATA**

Standard: EN13215-RG20 / return gas 20°C, subcooling 3K

50 Hz

	Evaporating Temperature (°C)	Cooling Capacity (W)	Power Consumption (W)	Current Consumption (A)	Efficiency (W/W)
<b>25 °C</b> Ambient Temperature	-10°C	2 621	1 752	8.64	1.50
	-15°C	2 260	1 532	7.64	1.48
	-20°C	1 926	1 335	6.75	1.44
	-25°C	1 617	1 161	5.98	1.39
	-30°C	1 329	1 010	5.33	1.32
	Rated point -35°C	1 061	883	4.80	1.20
	-40°C	808	777	4.39	1.04
<b>32 °C</b> Ambient Temperature	-10°C	2 475	1 791	8.80	1.38
	-15°C	2 104	1 562	7.76	1.35
	-20°C	1 762	1 355	6.84	1.30
	-25°C	1 446	1 171	6.03	1.24
	-30°C	1 154	1 008	5.34	1.14
	Rated point -35°C	883	867	4.77	1.02
	-40°C	629	748	4.33	0.84
<b>43 °C</b> Ambient Temperature	-15°C	1 721	1 644	8.15	1.05
	-20°C	1 426	1 423	7.14	1.00
	-25°C	1 159	1 222	6.24	0.95
	-30°C	920	1 041	5.46	0.88
	Rated point -35°C	704	880	4.79	0.80
	-40°C	509	737	4.23	0.69