

Technical Data Sheet

Compressor model **X16TN**
 Voltage **200-220/230V 50/60Hz ~1**
 Refrigerant **R22**

APPLICATION		COMPRESSOR		MOTOR	
Application	High Back Pressure	Displacement	16,03 cm ³	Nominal Power	5/8 hp
Refrigerant	R22	Diameter	32,60 mm	Voltage/Frequency	230V 60Hz
Evaporating Temp.	-15,0 °C to 10,0 °C	Stroke	19,20 mm	Voltage range	196-253 V
Expansion	Capillar/Valve	Net Weight	16,70 Kg	Type	CSR
Comp. Cooling	Fan cooled	Oil type	ISO VG 46 MINER	Phase number	1 PH
Max. ambient temp.	43,0 °C	Oil charge	500 cm ³	Locked Rotor Amps (LRA)	30,20 A
				Max. Cont. Current (MCC)	9,20 A
				Main W. resist. at 25°C	1,71 Ω
				Start W. resist. at 25°C	4,90 Ω

NOMINAL PERFORMANCE

	ASHRAE	CECOMAF
Cooling Capacity	2.078 kCal/h	2.083 W
COP	2,25 W/W	1,98 W/W
EER	1,93 kCal/Wh	1,71 kCal/Wh
Input Power	1.075 W	1.049 W
Current	5,60 A	5,40 A

APPROVALS

TEST CYCLE CONDITIONS

	ASHRAE HBP (D)	CECOMAF HBP (C)
Evaporating temp. (T _e)	7,2 °C	5,0 °C
Condensing temp. (T _c)	55,0 °C	55,0 °C
Liquid temp. (T _{liq.})	46,0 °C	55,0 °C
Ambient temp. (T _{amb.})	35,0 °C	32,0 °C
Suction temp. (T _{suction})	35,0 °C	32,0 °C
Voltage/Frequency	230 V 60 Hz	230 V 60 Hz

ELECTRICAL COMPONENTS

Starting capacitor	47- 56 µF 330 V		
Run capacitor	16 µF 420 V		
Relay	Option 1	Option 2	
Reference	3ARR3 10S3	RVA 3AG..	
Pick-Up	180-195 V	180-195 V	
Drop-Out	40-105 V	40-105 V	
Protector	Option 1	Option 2	
Reference	MRA38123	T0534	
Current	22,00 A	20,00 A	
Time check	7,5-14 seg	7,5-14 seg	
Disc temp. (Open/Close)	105,00 / 52,00 °C	105,00 / 52,00 °C	

ASHRAE

Tc °C	Te °C	Cooling Capacity kCal/h	Consumption W	Current A	COP W/W	EER kCal/Wh
40	-15	1.103	690	3,55	1,86	1,60
40	-10	1.396	731	3,68	2,22	1,91
40	-5	1.710	774	3,83	2,57	2,21
40	0	2.047	819	4,02	2,91	2,50
40	5	2.404	866	4,25	3,23	2,78
40	7,2	2.569	888	4,36	3,37	2,89
40	10	2.784	915	4,52	3,54	3,04

45	-15	1.015	715	3,63	1,65	1,42
45	-10	1.291	764	3,80	1,96	1,69
45	-5	1.589	816	4,01	2,26	1,95
45	0	1.908	869	4,27	2,55	2,19
45	5	2.248	925	4,57	2,83	2,43
45	7,2	2.405	950	4,72	2,94	2,53
45	10	2.610	983	4,93	3,09	2,66

50	-15	928	740	3,71	1,46	1,25
50	-10	1.186	798	3,93	1,73	1,49
50	-5	1.467	858	4,21	1,99	1,71
50	0	1.769	920	4,54	2,24	1,92
50	5	2.092	984	4,94	2,47	2,13
50	7,2	2.242	1.013	5,14	2,57	2,21
50	10	2.437	1.050	5,41	2,70	2,32

55	-15	840	765	3,80	1,28	1,10
55	-10	1.082	831	4,08	1,51	1,30
55	-5	1.345	900	4,43	1,74	1,50
55	0	1.630	970	4,85	1,95	1,68
55	5	1.936	1.042	5,35	2,16	1,86
55	7,2	2.078	1.075	5,60	2,25	1,93
55	10	2.264	1.117	5,94	2,36	2,03

60	-15	753	790	3,90	1,11	0,95
60	-10	977	865	4,24	1,31	1,13
60	-5	1.223	941	4,67	1,51	1,30
60	0	1.491	1.020	5,19	1,70	1,46
60	5	1.780	1.101	5,81	1,88	1,62
60	7,2	1.915	1.138	6,11	1,96	1,68
60	10	2.091	1.184	6,53	2,05	1,77

CECOMAF

Tc °C	Te °C	Cooling Capacity W	Consumption W	Current A	COP W/W	EER kCal/Wh
40	-15	1.205	694	3,56	1,74	1,50
40	-10	1.526	735	3,69	2,08	1,79
40	-5	1.870	779	3,85	2,40	2,07
40	0	2.237	824	4,05	2,71	2,34
40	5	2.626	872	4,28	3,01	2,60
40	7,2	2.805	893	4,39	3,14	2,71
40	10	3.039	922	4,55	3,30	2,85

45	-15	1.105	719	3,64	1,54	1,33
45	-10	1.405	769	3,81	1,83	1,58
45	-5	1.729	821	4,03	2,11	1,82
45	0	2.076	875	4,29	2,37	2,05
45	5	2.445	931	4,61	2,63	2,27
45	7,2	2.615	956	4,76	2,73	2,36
45	10	2.837	989	4,98	2,87	2,48

50	-15	1.005	744	3,72	1,35	1,17
50	-10	1.285	802	3,95	1,60	1,38
50	-5	1.588	863	4,23	1,84	1,59
50	0	1.915	925	4,57	2,07	1,79
50	5	2.264	990	4,98	2,29	1,98
50	7,2	2.425	1.019	5,18	2,38	2,06
50	10	2.636	1.057	5,46	2,49	2,15

55	-15	905	769	3,82	1,18	1,02
55	-10	1.165	836	4,10	1,39	1,20
55	-5	1.448	905	4,46	1,60	1,38
55	0	1.754	976	4,89	1,80	1,55
55	5	2.083	1.049	5,40	1,98	1,71
55	7,2	2.234	1.082	5,66	2,06	1,78
55	10	2.434	1.125	6,01	2,16	1,87

60	-15	805	794	3,92	1,01	0,88
60	-10	1.044	870	4,27	1,20	1,04
60	-5	1.307	947	4,71	1,38	1,19
60	0	1.593	1.027	5,24	1,55	1,34
60	5	1.901	1.108	5,87	1,72	1,48
60	7,2	2.044	1.145	6,18	1,79	1,54
60	10	2.233	1.192	6,61	1,87	1,62

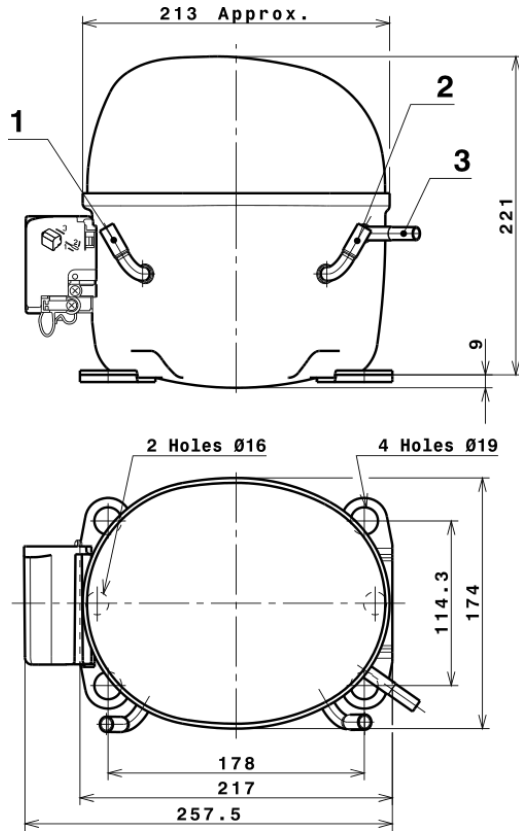
EN12900

X	Cooling Capacity (W)	Consumption (W)	Current (A)	Mass Flow (kg/h)
1	3.567,9654114129	429,2474297312	1,1162831403	61,824834939977
2	110,3940913504	-4,2280280302	-0,0875325816	1,974694133205
3	-33,1163000314	10,4222441790	0,0718236120	-0,35842821021523
4	0,4719683136	0,0530428391	0,0017744530	0,015160888185783
5	-0,8511410515	0,3515492793	0,0035019785	-0,0064191645618249

Equation	$x_1 + x_2Te + x_3Tc + x_4Te^2 + x_5TeTc$
----------	---

Technical Data Sheet

COMPRESSOR DIMENSIONS

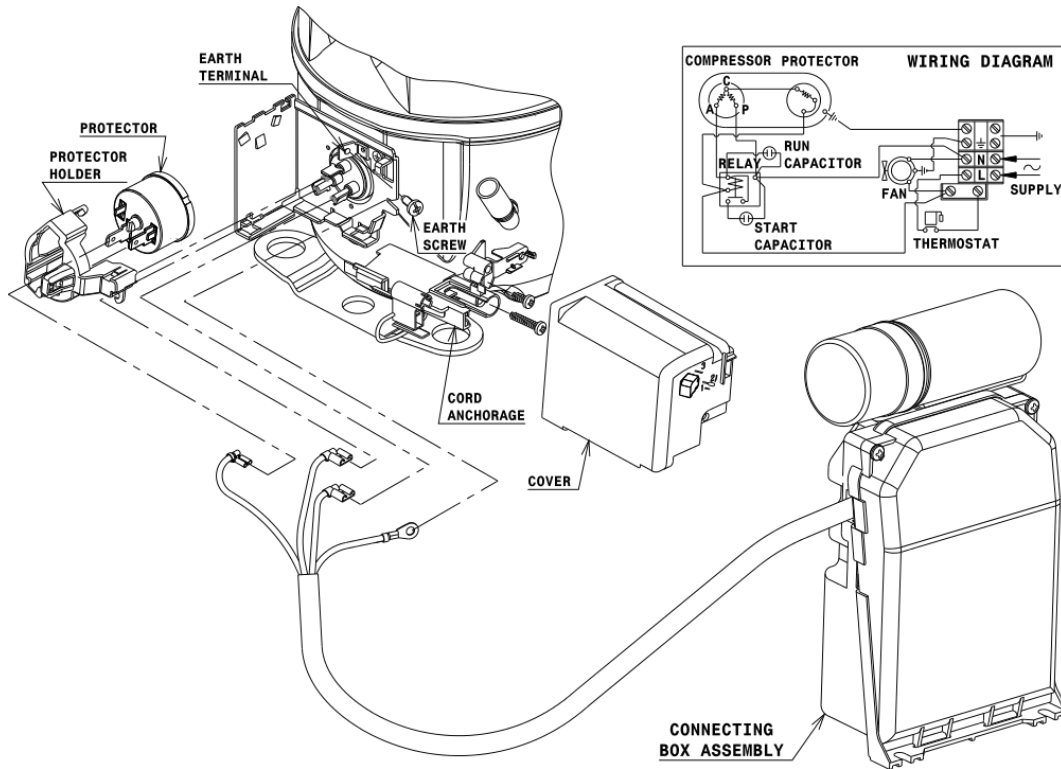


DESIGNATION INTERNAL DIAM.

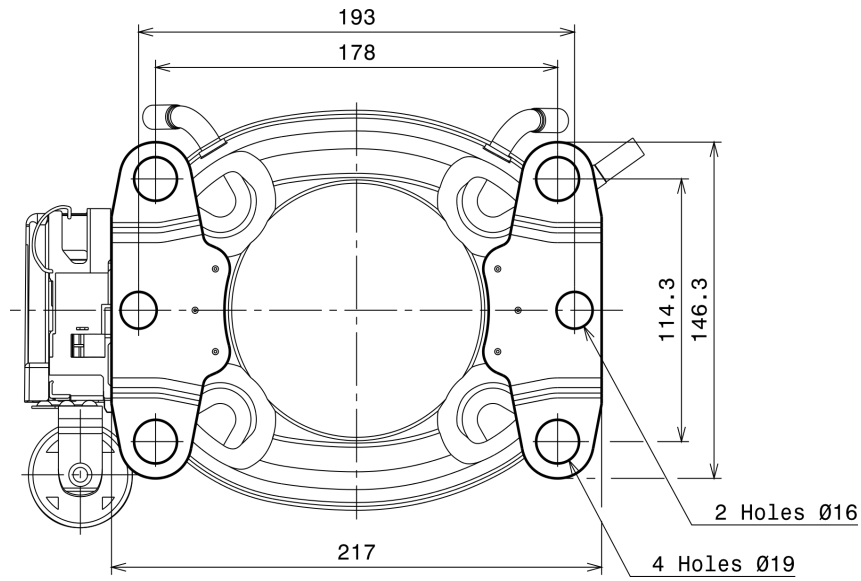
DESIGNATION	INTERNAL DIAM.
1 Service	9,7 mm
2 Suction	9,7 mm
3 Discharge	6,5 mm

WIRING DIAGRAMS AND ELECTRICAL ASSEMBLY

CSR CONNECTION (EXTERNAL CONNECTING BOX) (X range)



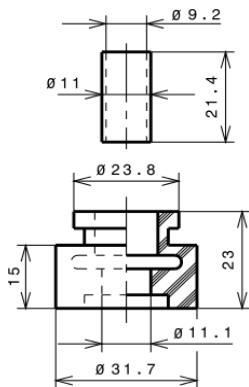
FIXINGS



SILENT BLOCKS (MOUNTING ACCESSORIES)

STANDARD

$\varnothing 19$ holes (178x114.3 net)



SOA

SOA R22 HBP

