

PART NUMBER	MODEL NUMBER	MOUNTING KIT	CUSTOMER CONNECTIONS	A
497-0997-00	ZR300 ZP285	527-0175-00	ROTALOCK / FLANGE	97.7 [3.84]
497-0997-01	ZR310 ZR380 ZP385	527-0175-02	BRAZED	97.7 [3.84]
497-0997-02	ZR310 ZR380 ZP385	527-0175-02	ROTALOCK	97.7 [3.84]
497-0997-03	ZP285 ZR300	527-0175-00	BRAZED	97.7 [3.84]
497-0997-04	ZP295 ZR310 ZR380 ZP385 ZH125 ZH150	527-0175-02	BRAZED	108.8 [4.28]
497-0997-05	ZP285 ZR310 ZR380 ZP385	527-0175-02	ROTALOCK	108.8 [4.28]
497-0997-06	ZR300	527-0175-00	ROTALOCK / FLANGE	108.8 [4.28]
497-0997-07	ZP285 ZR300	527-0175-00	BRAZED	108.8 [4.28]

SPECIFICATIONS	
ES NO.	DESCRIPTION
ES92-155	CONVERSION-METRIC
ES81-340	TORQUE SPEC

NOTES:

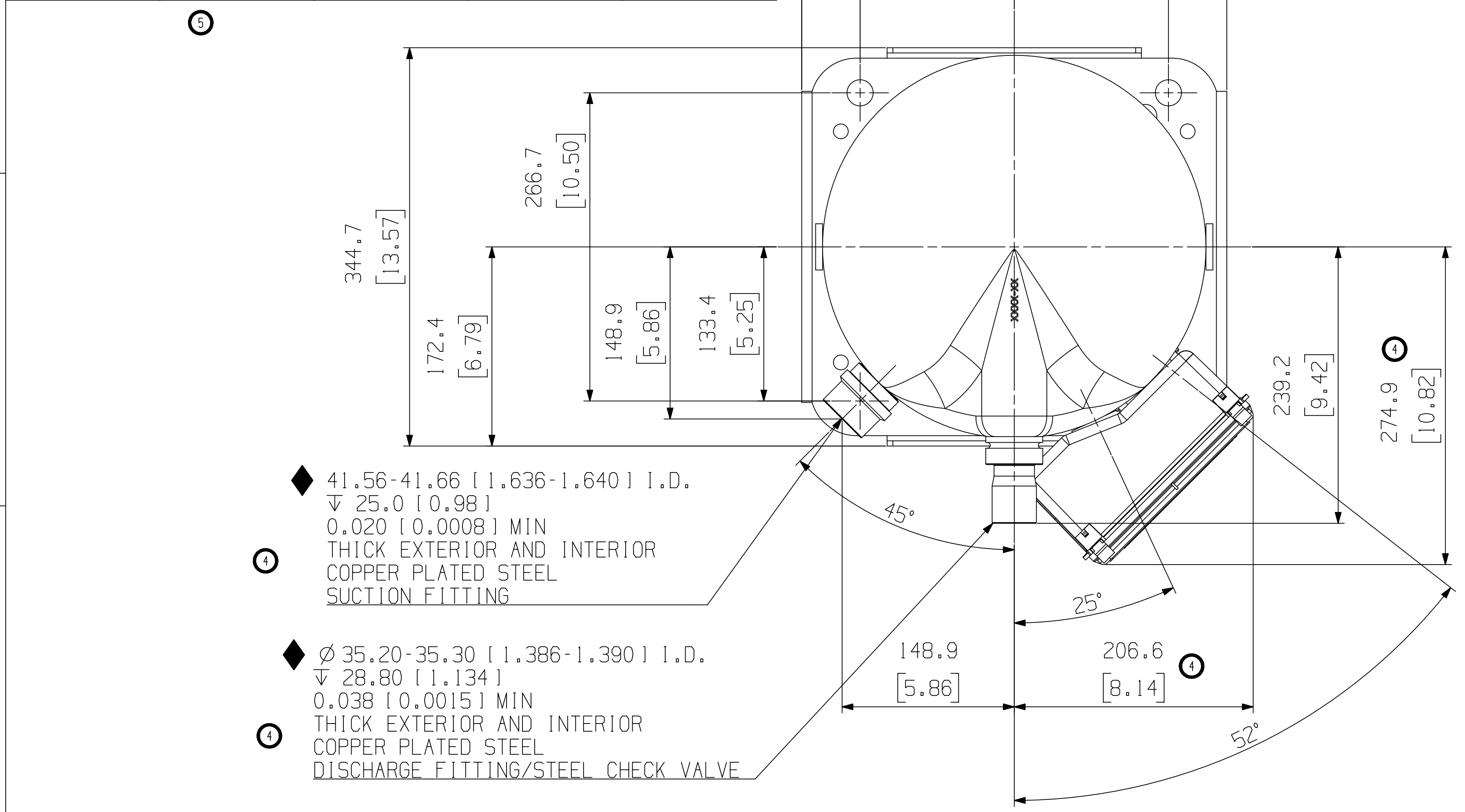
1 ALL TOLERANCES ±1.50 [0.060] UNLESS OTHERWISE SPECIFIED.

DUE TO ACCUMULATED ASSEMBLY TOLERANCES THE LISTED COMPONENTS MAY VARY FROM THE MOUNTING HOLES AS SHOWN BELOW:

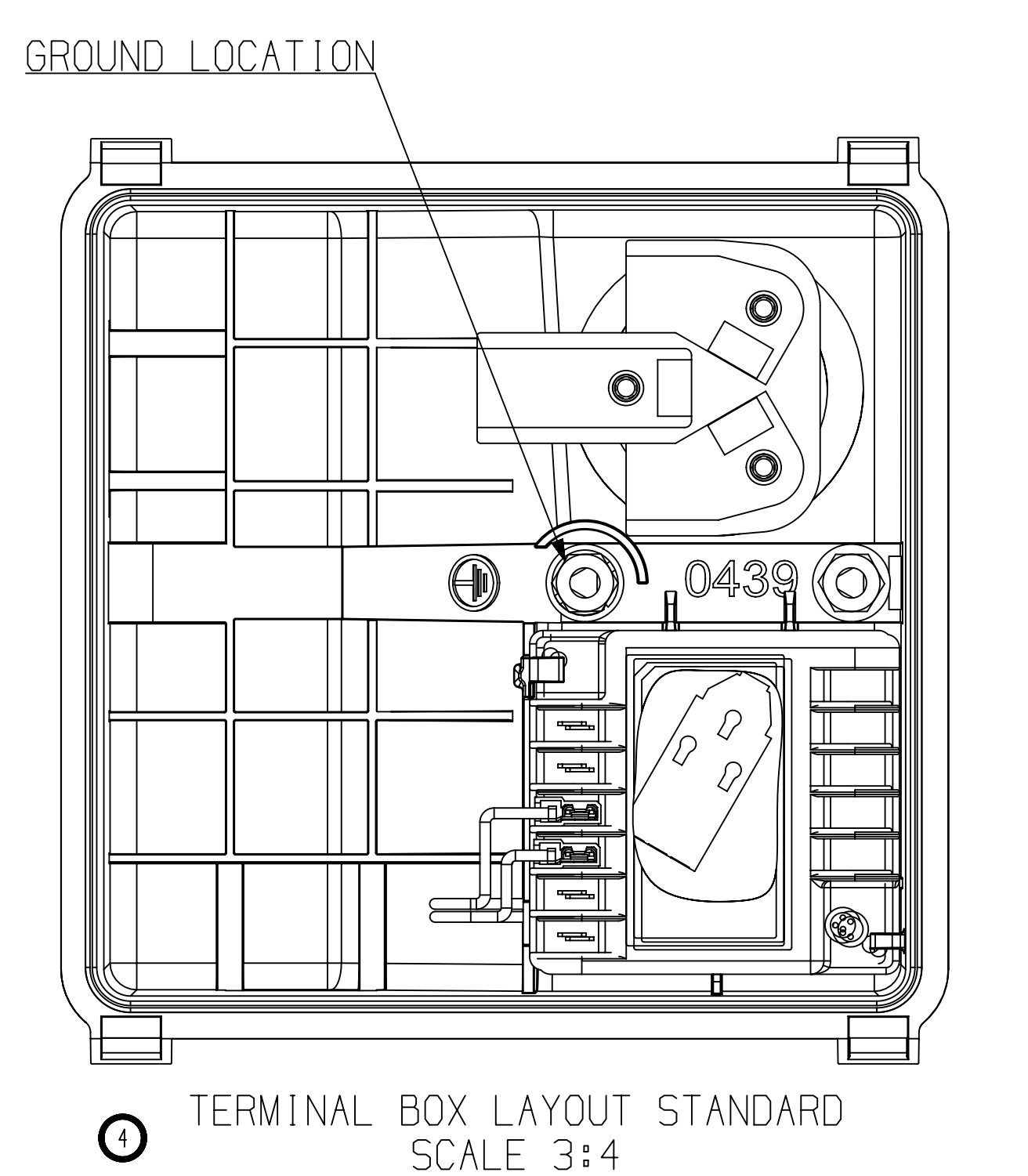
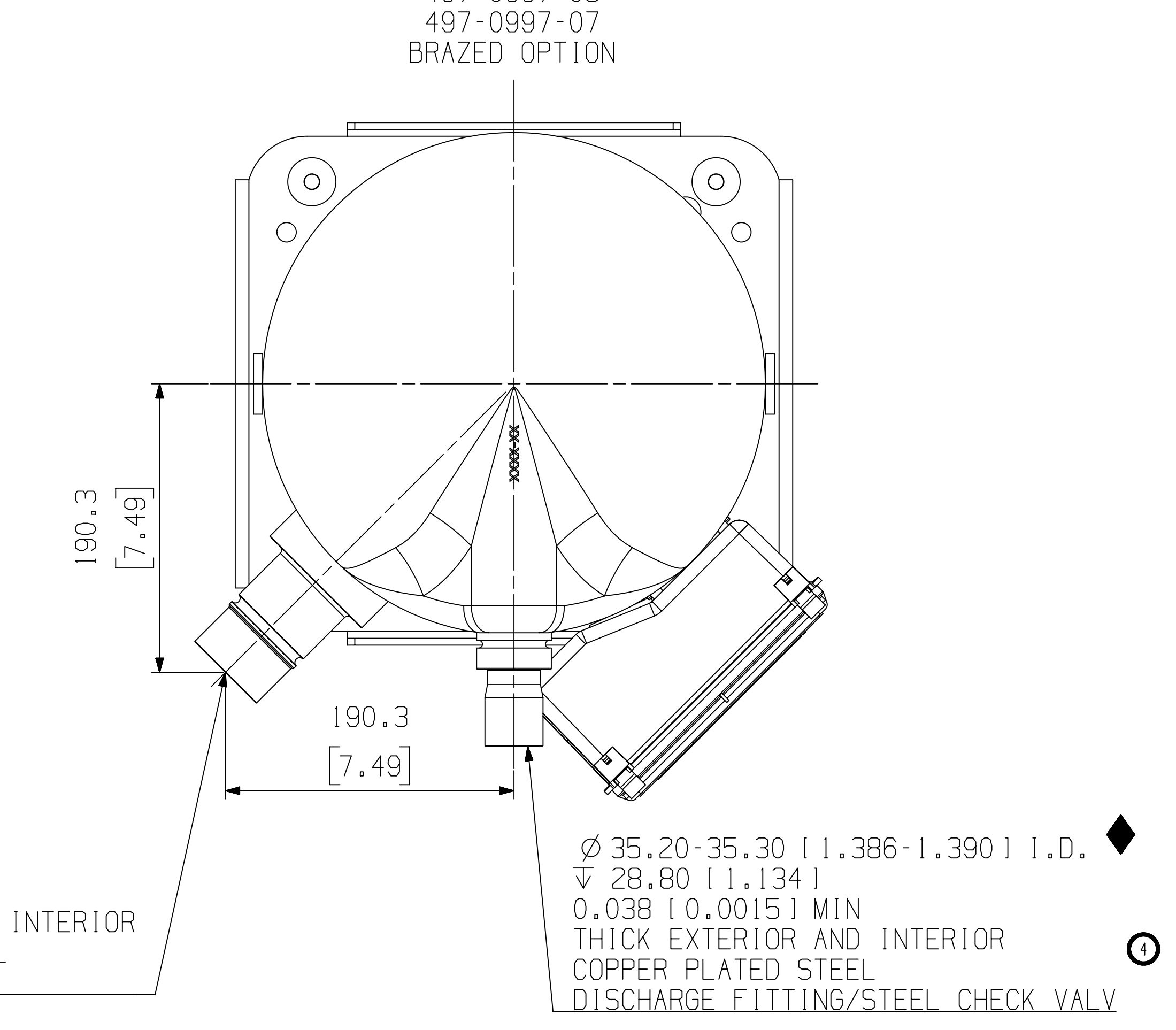
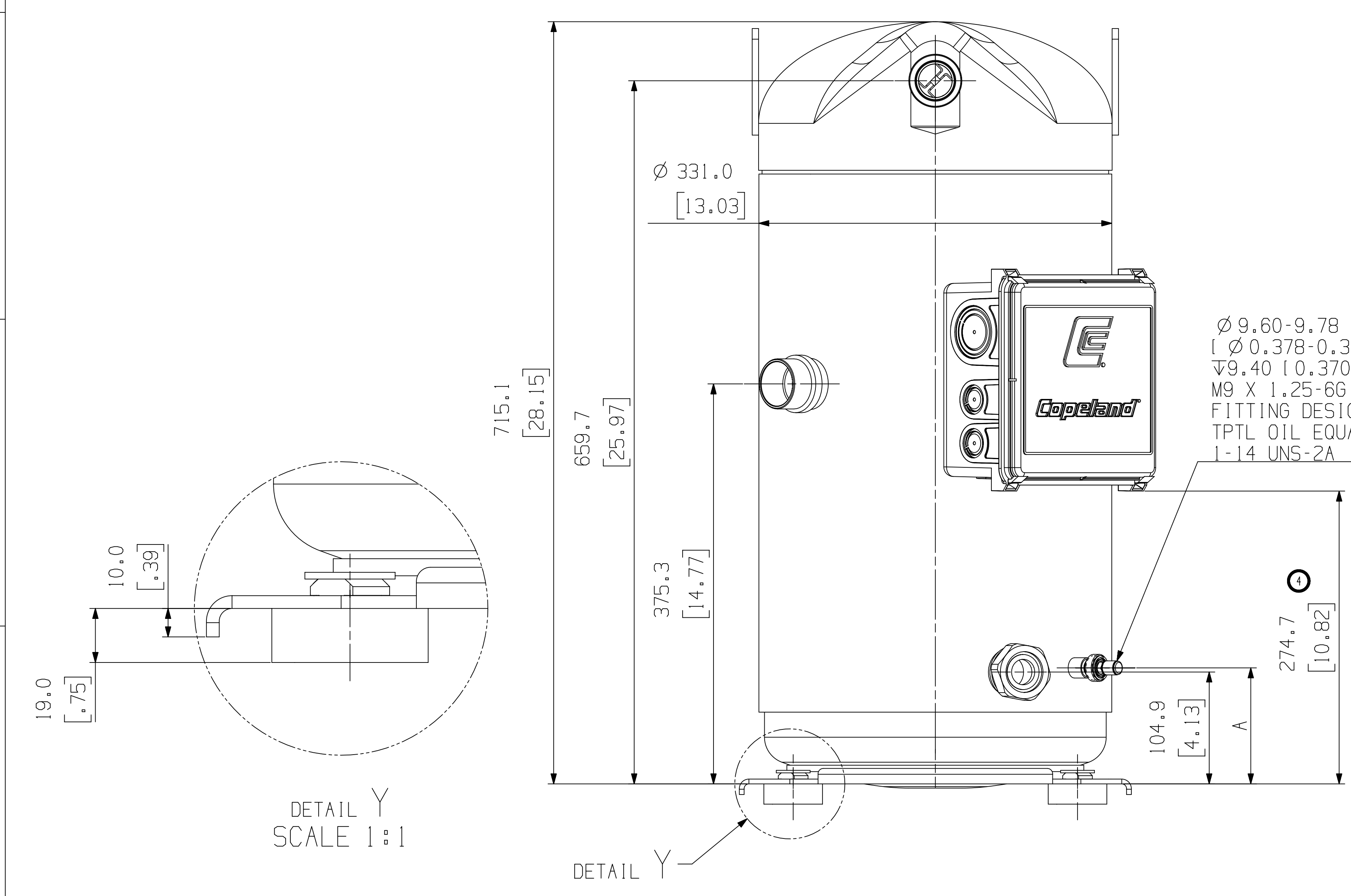
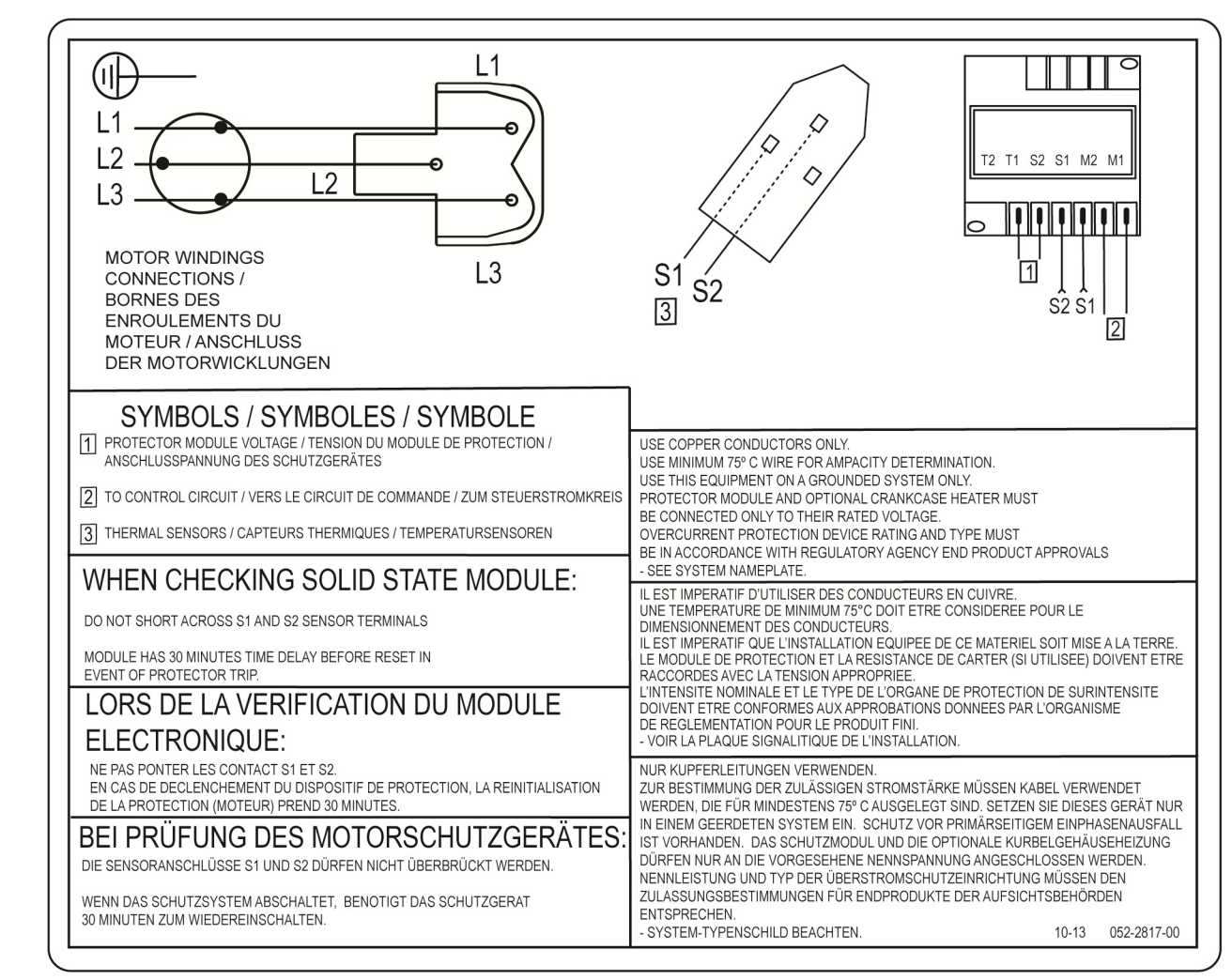
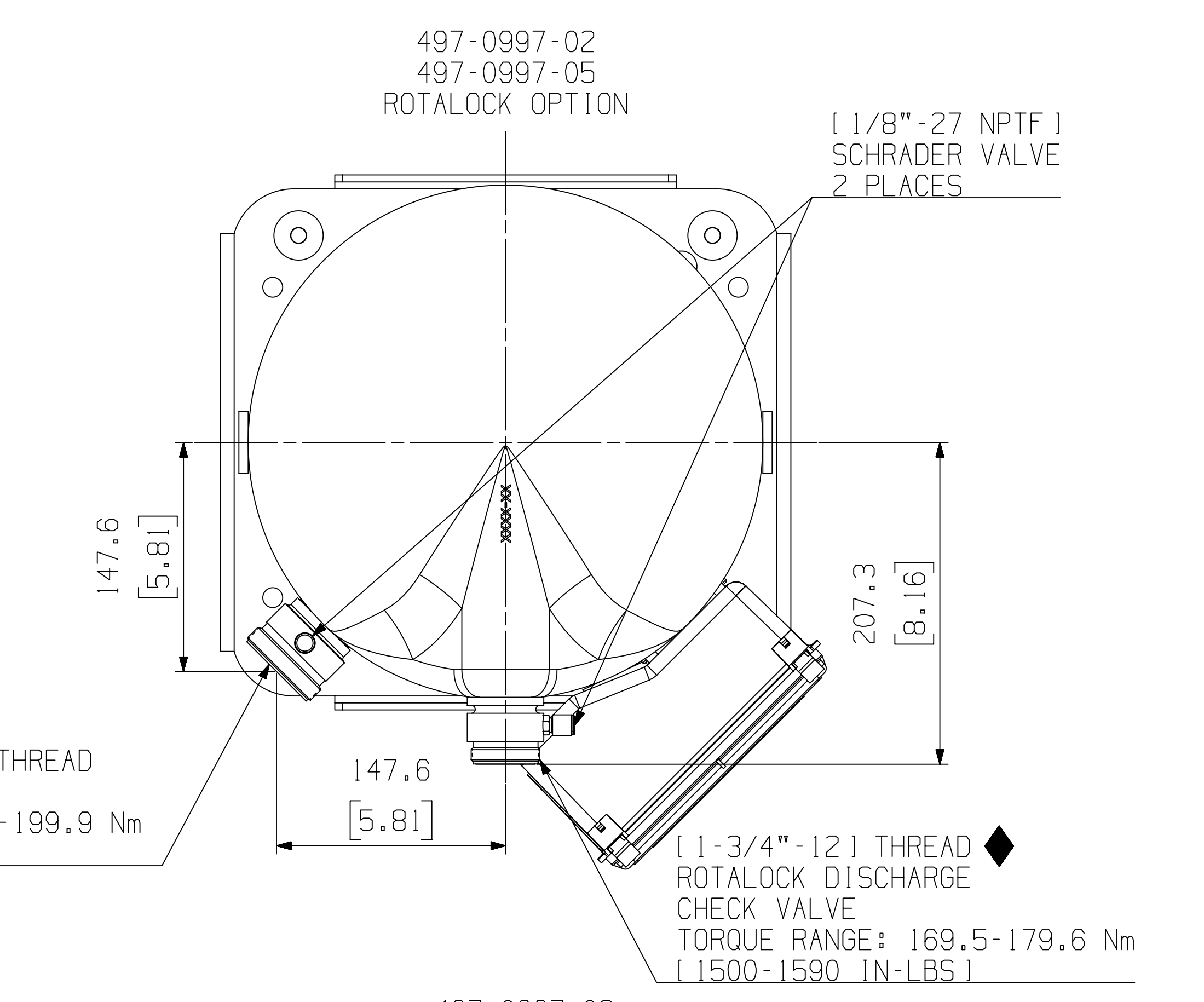
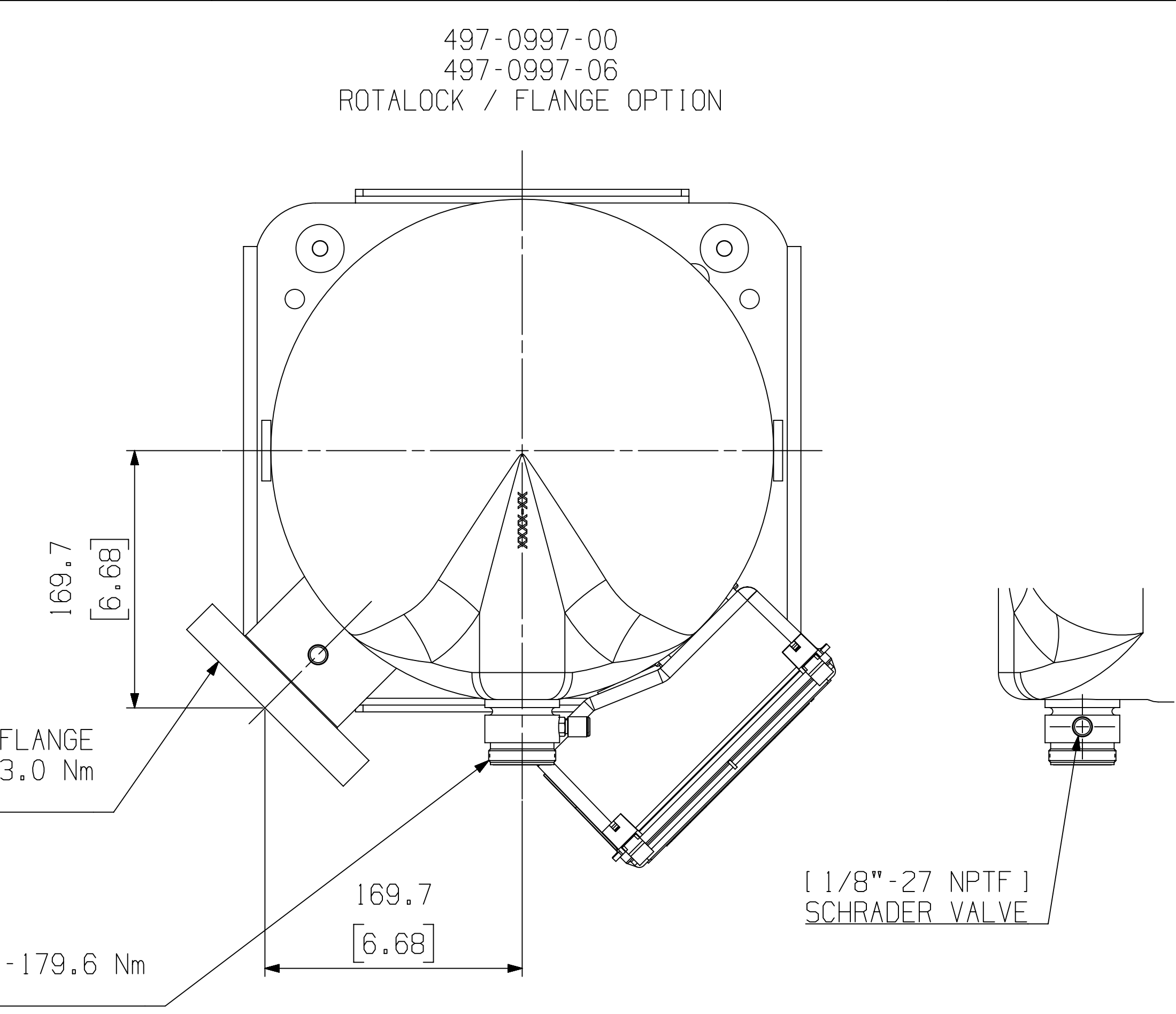
◆ ALL FITTINGS : ±3.0 [0.12]

2 MOUNTING KIT.

3. TUBE ENDS MUST BE PLUGGED.



- ◆ 4X M16 BOLTED SUCTION FLANGE
TORQUE RANGE: 101.7-113.0 Nm
[900-1000 IN-LBS]
- ◆ [1-3/4"-12] THREAD
ROTALOCK DISCHARGE
CHECK VALVE
TORQUE RANGE: 169.5-179.6 Nm
[1500-1590 IN-LBS]



ECN/REV	NO.	DESCRIPTION	DATE	BY	CHKD	APPR
ECN102450	6	ADDED ZH MODEL IN TABLE	10-14-15	LG	KB	VC
ECN101139	5	UPDATED MODEL NUMBER IN TABLE	03-23-15	SAS	PBM	PBM
ECN007313	4	REDRAWN/CHANGED WIRING+PLATING	04-14-14	LG	MD	VC
ECN002819	0	RELEASED	09-13-10	MPK	NJG	KJR

REVISIONS

CONFIDENTIALITY NOTICE

THIS DRAWING AND INFORMATION CONTAINED HEREIN ARE THE EXCLUSIVE PROPERTY OF EMERSON CLIMATE TECHNOLOGIES, INC. AND SHALL BE RETURNED UPON REQUEST TO THE WHOLE OR IN PART. NO PART OF THIS DRAWING OR INFORMATION SHALL BE REPRODUCED OR TRANSMITTED IN ANY FORM OR BY ANY MEANS, WITHOUT THE WRITTEN CONSENT OF EMERSON CLIMATE TECHNOLOGIES, INC.

MATERIAL SPECIFICATION: N/A

DATE: 10-28-13

SCALE: 0.375:1

DATE FORMAT: MM-DD-YY

TITLE: REF DWG-WELD COMP ASSM

DRAWING NUMBER: 497-0997-00

SHEET 1 OF 1

UNCONTROLLED - DO NOT MODIFY

EMERSON
Climate Technologies

Copeland
brand products

INTERPRET PER ASME Y14.5M-1994 AND EMERSON CLIMATE TECHNOLOGIES, INC. DESIGN STANDARDS DS2002

DO NOT SCALE DRAWING

THIRD ANGLE PROJECTION

CRITICAL PRODUCT CHARACTERISTICS

UNLESS OTHERWISE SPECIFIED TOLERANCES ARE MILLIMETER OR (INCH) ANGULAR : 0.5°