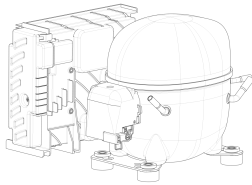


220-240V 1~**GENERAL DATA**

Application: LBP
Refrigerant: R404A
Evaporating Temperature Range: -40°C to -10°C
Compressor Cooling: Fan
Fan air flow: 520 m³/h
Type: Hermetic reciprocating
Technology Type: VCC
Expansion Device: Capillary Tube or Expansion Valve
Packing Quantity: Multi - 40 pcs
Displacement: 6.2 cm³

Approvals:    

MECHANICAL DATA

Bore: 20.87 mm
Stroke: 18.12 mm
Oil Charge: 500ml +/-15ml
Free Internal Volume: 2.1 cm³
Maximum Recommended Refrigerant Charge: 350 g
Oil Type Configuration: Polyolester
Oil Type Viscosity: ISO22
Compressor pressurization: Dry air charge
Weight: 14.2 kg

ELECTRICAL DATA

Motor Type: BPM
Starting Torque: HST
Voltage working range at 50 Hz: 150 (160)-240 V
Voltage working range at 60 Hz: 150 (160) V
Maximum Motor Temperature: 130 °C
Start Winding Resistance: 3.82 Ω (± 10%) at 25°C
Run Winding Resistance: 2.53 Ω (± 10%) at 25°C
Locked Rotor Amperage (LRA): 6 A

MOUNTING ACCESSORIES

| | Description | Code |
|------------------------------------|-------------|---------|
| Terminal Board: | no | - |
| Capacitor Bracket: | no | - |
| Grommets: | yes | 2221004 |
| Sleeves: | yes | 2222016 |
| Washer: | no | - |
| Pin: | no | - |
| Clip: | no | - |
| Rotolock valve: | no | - |
| Cover: | yes | 2075282 |
| Anchorage: | yes | 1027058 |
| Overload Protector Bracket: | yes | 2075299 |

ELECTRICAL COMPONENTS

| | Component type | Description | Code |
|--------------------------|----------------|---------------|-----------|
| Motor Protection: | External 3/4" | MST38AMK-3166 | 2288316 |
| Inverter: | HP DROP IN | 500W 220V | 519302005 |

EXTERNAL CHARACTERISTICS

Base Plate: Universal
Tray Holder: No
Height: 206 mm

| | Internal Diameter (mm) | Material | Shape |
|----------------------------|------------------------|----------|-------------|
| Suction Connector | 8.1 | Copper | Slanted 42° |
| Discharge Connector | 6.45 | Copper | Straight |
| Process Connector | 6.45 | Copper | Slanted 42° |

RATED POINT DATA

| Cooling Capacity (W) | Power Consumption (W) | Current Consumption (A) | Gas Flow Rate (kg/h) | Efficiency (W/W) |
|----------------------|-----------------------|-------------------------|----------------------|------------------|
| ±5% | ±5% | ±5% | ±5% | ±7% |
| 122 | 131 | 0.64 | 3.08 | 0.94 |

Test condition: EN 12900, Fan, Return Gas 20°C, Subcooling OK, Evaporating: -35°C, Condensing: 40°C, Ambient: 35°C

PERFORMANCE CURVE DATA

2000 RPM

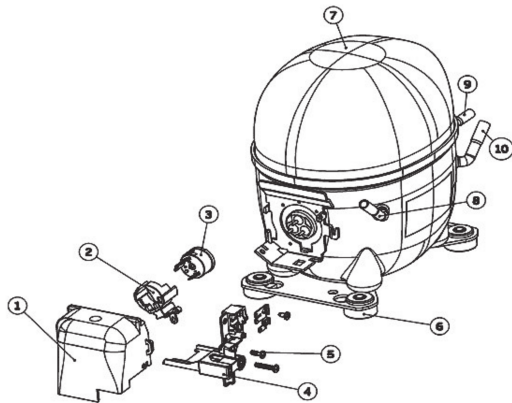
| Condensing Temperature (°C) | Evaporating Temperature (°C) | Cooling Capacity (W) | Power Consumption (W) | Current Consumption (A) | Gas Flow Rate (kg/h) | Efficiency (W/W) |
|-----------------------------|------------------------------|----------------------|-----------------------|-------------------------|----------------------|------------------|
| | | ±5% | ±5% | ±5% | ±5% | ±7% |
| 35°C | -10 | 474 | 196 | 0.94 | 11.57 | 2.41 |
| | -15 | 383 | 185 | 0.89 | 9.26 | 2.07 |
| | -20 | 306 | 172 | 0.83 | 7.33 | 1.78 |
| | -25 | 240 | 158 | 0.77 | 5.74 | 1.52 |
| | -30 | 185 | 144 | 0.70 | 4.42 | 1.29 |
| | -35 | 140 | 129 | 0.63 | 3.33 | 1.08 |
| | -40 | 102 | 115 | 0.56 | 2.40 | 0.88 |

| Condensing Temperature (°C) | Evaporating Temperature (°C) | Cooling Capacity (W) | Power Consumption (W) | Current Consumption (A) | Gas Flow Rate (kg/h) | Efficiency (W/W) |
|-----------------------------|------------------------------|----------------------|-----------------------|-------------------------|----------------------|------------------|
| | | ±5% | ±5% | ±5% | ±5% | ±7% |
| 45°C | -10 | 393 | 217 | 1.03 | 10.81 | 1.81 |
| | -15 | 318 | 199 | 0.96 | 8.67 | 1.60 |
| | -20 | 253 | 182 | 0.88 | 6.86 | 1.39 |
| | -25 | 198 | 165 | 0.80 | 5.32 | 1.20 |
| | -30 | 149 | 148 | 0.72 | 4.00 | 1.01 |
| | -35 | 106 | 133 | 0.65 | 2.84 | 0.80 |

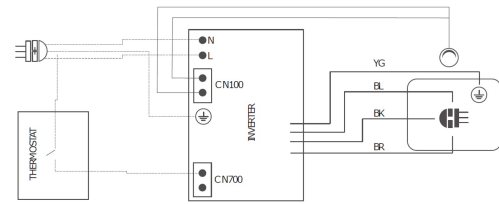
| Condensing Temperature (°C) | Evaporating Temperature (°C) | Cooling Capacity (W) | Power Consumption (W) | Current Consumption (A) | Gas Flow Rate (kg/h) | Efficiency (W/W) |
|-----------------------------|------------------------------|----------------------|-----------------------|-------------------------|----------------------|------------------|
| | | ±5% | ±5% | ±5% | ±5% | ±7% |
| 55°C | -10 | 309 | 231 | 1.10 | 9.86 | 1.34 |
| | -15 | 251 | 210 | 1.00 | 7.94 | 1.20 |
| | -20 | 201 | 189 | 0.91 | 6.29 | 1.06 |
| | -25 | 156 | 170 | 0.82 | 4.85 | 0.92 |
| | -30 | 115 | 152 | 0.74 | 3.57 | 0.76 |

Test condition: EN 12900, Fan, Return Gas 20°C, Subcooling OK, Ambient: 35°C

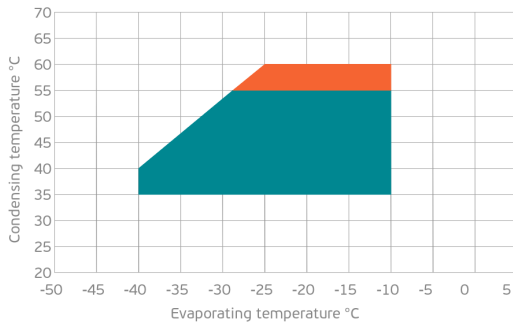
ASSEMBLY INSTRUCTION



WIRING DIAGRAM

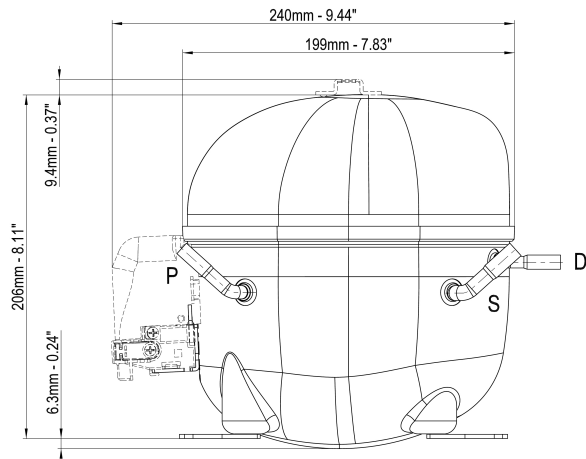


OPERATING ENVELOPE



- Operating Condition
- Transient Condition
- Superheating

NOTE: usage of compressors outside of intended working range cannot make use of the warranty, or should be consulted with Technical support.



| | ∅ mm | ∅ in | Material |
|----------------------|-------------|------|----------|
| S - Suction | 8.10 - 8.20 | 0.32 | Cu |
| P - Process | 6.45 - 6.55 | 0.25 | Cu |
| D - Discharge | 6.45 - 6.55 | 0.25 | Cu |

