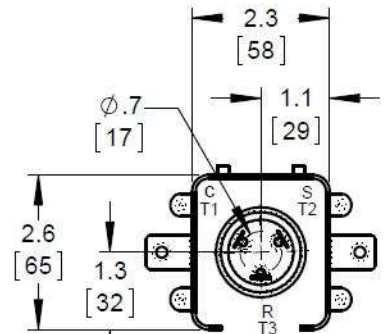
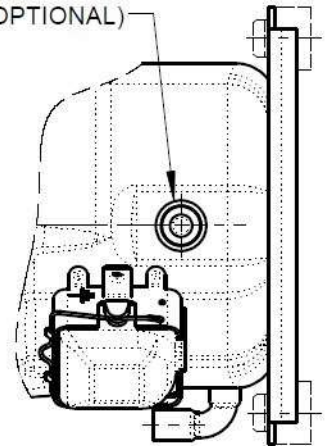
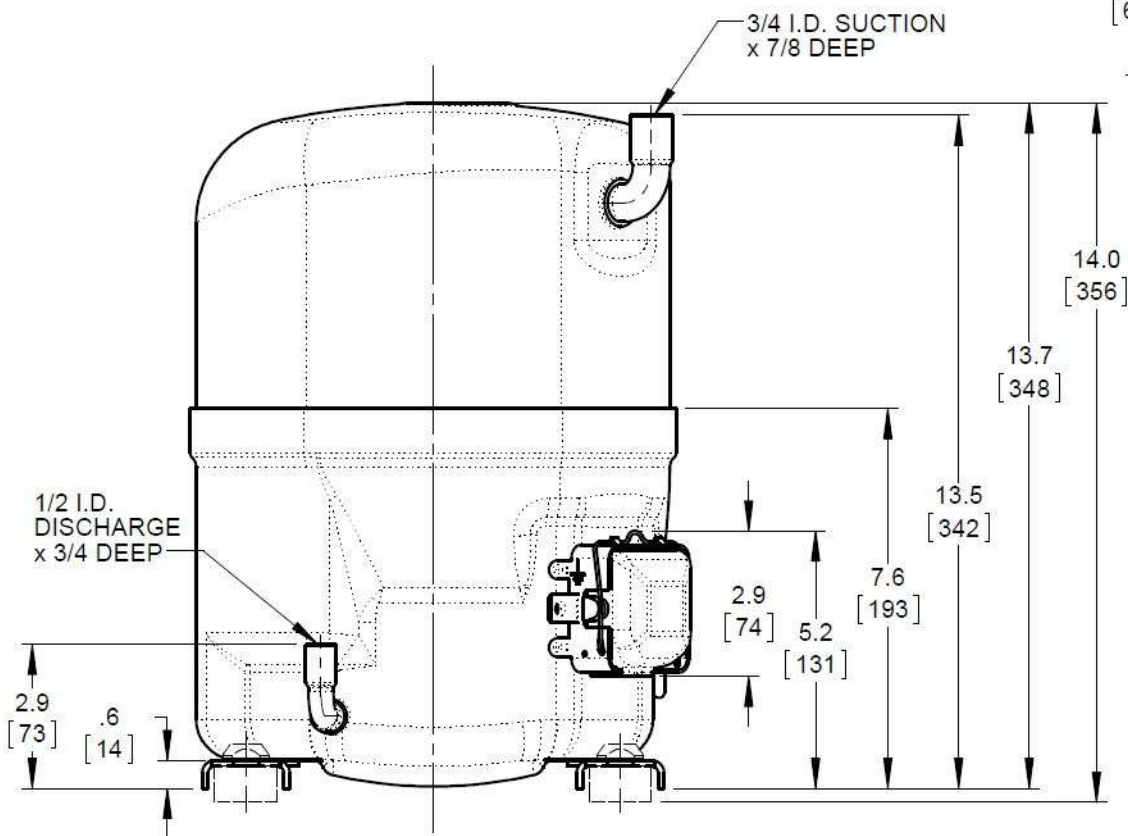


CRANKCASE HEATER RECEPTICAL (HEATER OPTIONAL)



TERMINAL BOX (QUICK CONNECT TERMINAL)



MODEL: **R92J223DBVA**

VOLTAGE: **460/380** PH: **3** Hz: **60** LRA: **30**
380/415 **3** **50** **30**

E/N RELEASE: **V30101**

REVISIONS

A	X19802	CS
---	--------	----

TOLERANCES UNLESS SPECIFIED

ONE PLACE DECIMAL: $\pm .125$ (3.158mm)
TWO PLACE DECIMAL: $\pm .06$ (1.5mm)
ANGULAR: $\pm 5^\circ$

MARKETING REQ:

CHKD: JLH	2/8/12
DRWN: RDD	11-30-11



B/M NO:

757038