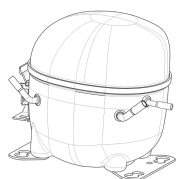


220-240V 50 1~

**GENERAL DATA**

Application: MBP
Refrigerant: R404A
Evaporating Temperature Range: -20°C to 10°C
Compressor Cooling: Fan
Fan air flow: 520 m³/h
Type: Hermetic reciprocating
Technology Type: On-Off
Expansion Device: Capillary Tube or Expansion Valve
Packing Quantity: Single - 1 pc
Displacement: 7.28 cm³
Horse power: 1.3 hp

Approvals:    

MECHANICAL DATA

Bore: 26.5 mm
Stroke: 13.2 mm
Oil Charge: 350ml +/-15ml
Free Internal Volume: 2.1 cm³
Maximum Recommended Refrigerant Charge: 350 g
Oil Type Configuration: Polyolester
Oil Type Viscosity: ISO22
Compressor pressurization: Dry air charge
Weight: 10.3 kg

ELECTRICAL DATA

Motor Type: CSIR
Starting Torque: HST
Voltage working range at 50 Hz: 198-254 V
Maximum Motor Temperature: 130 °C
Start Winding Resistance: 29.57 Ω (± 10%) at 25°C
Run Winding Resistance: 7.96 Ω (± 10%) at 25°C

MOUNTING ACCESSORIES

	Description	Code
Anchorage:	no	-
Capacitor Bracket:	no	-
Washer:	no	-
Pin:	no	-
Clip:	no	-
Rotolock valve:	no	-
Cover:	yes	2075282
Grommets:	yes	2221011
Sleeves:	yes	2222018
Terminal Board:	yes	1027060
Overload Protector Bracket:	yes	2075299

ELECTRICAL COMPONENTS

	Component type	Description	Code
Start Capacitor:		43-53 MFD 330V	2252347
Starting Device:	Current relay	MTRP-41-65	2334121
Motor Protection:	External 3/4"	T0874/G6	2319093

EXTERNAL CHARACTERISTICS

Base Plate: European
Tray Holder: No
Height: 188 mm

	Internal Diameter (mm)	Material	Shape
Suction Connector	8.1	Copper	Slanted 42°
Discharge Connector	6.1	Copper	Straight
Process Connector	6.1	Copper	Slanted 42°

RATED POINT DATA

Cooling Capacity (W)	Power Consumption (W)	Current Consumption (A)	Gas Flow Rate (kg/h)	Efficiency (W/W)
±5%	±5%	±5%	±5%	±7%
1 108	512	2.97	30.98	2.17

Test condition: ASHRAE, Fan, Return Gas 35°C, Subcooling 8.3K, Evaporating: 7.2°C, Condensing: 54°C, Ambient: 35°C

PERFORMANCE CURVE DATA**220V 50Hz**

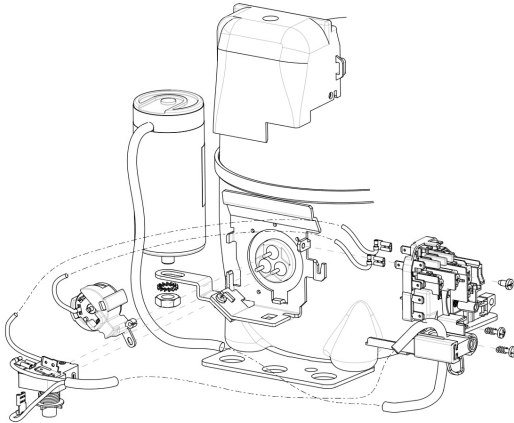
Condensing Temperature (°C)	Evaporating Temperature (°C)	Cooling Capacity (W)	Power Consumption (W)	Current Consumption (A)	Gas Flow Rate (kg/h)	Efficiency (W/W)
		±5%	±5%	±5%	±5%	±7%
35°C	10	1 659	430	2.68	37.78	3.86
	5	1 400	400	2.55	31.50	3.50
	0	1 170	371	2.43	26.05	3.15
	-5	968	346	2.33	21.36	2.80
	-10	794	324	2.24	17.41	2.45
	-15	649	305	2.18	14.15	2.13
	-20	533	291	2.13	11.54	1.83

Condensing Temperature (°C)	Evaporating Temperature (°C)	Cooling Capacity (W)	Power Consumption (W)	Current Consumption (A)	Gas Flow Rate (kg/h)	Efficiency (W/W)
		±5%	±5%	±5%	±5%	±7%
45°C	10	1 424	489	2.88	35.97	2.91
	5	1 198	457	2.74	29.88	2.62
	0	999	424	2.60	24.61	2.35
	-5	825	392	2.48	20.12	2.10
	-10	676	360	2.36	16.37	1.88
	-15	553	330	2.25	13.31	1.68
	-20	456	301	2.15	10.90	1.52

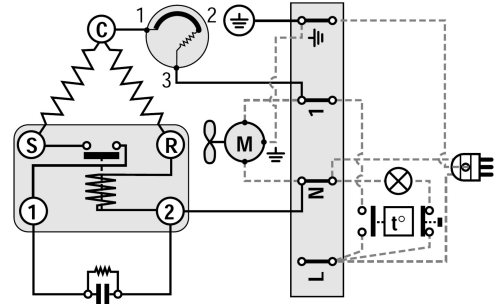
Condensing Temperature (°C)	Evaporating Temperature (°C)	Cooling Capacity (W)	Power Consumption (W)	Current Consumption (A)	Gas Flow Rate (kg/h)	Efficiency (W/W)
		±5%	±5%	±5%	±5%	±7%
55°C	10	1 199	532	3.07	34.23	2.25
	5	1 006	502	2.92	28.32	2.00
	0	837	470	2.78	23.24	1.78
	-5	689	435	2.63	18.94	1.59
	-10	565	398	2.49	15.38	1.42

Test condition: ASHRAE, Fan, Return Gas 35°C, Subcooling 8.3K, Ambient: 35°C

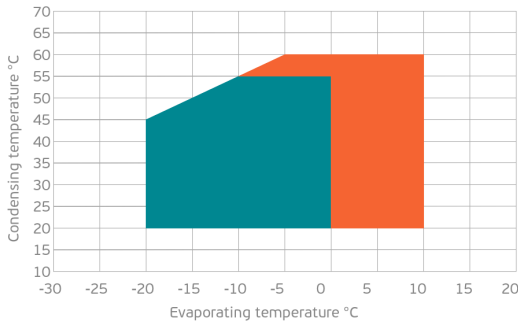
ASSEMBLY INSTRUCTION



WIRING DIAGRAM

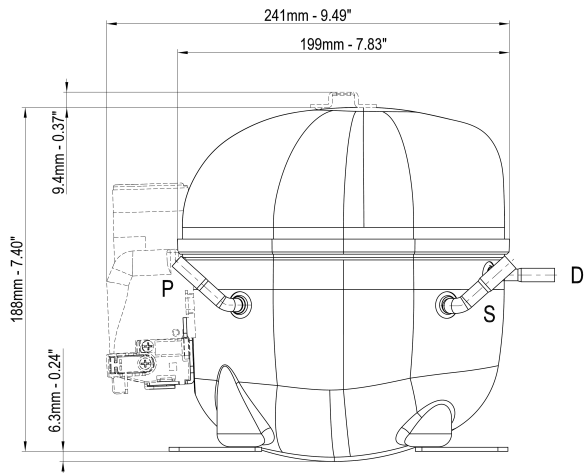


OPERATING ENVELOPE



- Operating Condition
- Transient Condition
- Superheating

NOTE: usage of compressors outside of intended working range cannot make use of the warranty, or should be consulted with Technical support.



	∅ mm	∅ in	Material
S - Suction	8.10 - 8.20	0.32	Cu
P - Process	6.10 - 6.20	0.24	Cu
D - Discharge	6.10 - 6.20	0.24	Cu

