

G K 1 1 3 P

1PH, 220/240V – 50Hz

Application Range

Compressor Cooling	Natural	
Eva. Temp. Range	-10°C ~ 12°C	14°F ~ 54°F
Condensing Temp.	65°C max.	149°F max.
Return Gas Temp.	35°C max.	95°F max.
Discharge gas Temp.	115°C max.	239°F max.
Motor Wire Temp.	130°C max.	266°F max.

Rated Performance

Capacity	9,000 / 9,100 Btu/h	2,637 / 2,667 W
Motor Input	909 / 938 W	
Current	4.2 / 4.0 A	
EER	9.9 / 9.7 Btu/W.h	2.90 / 2.84 W/W

Compressor Data

Design	Rolling Piston Typed Rotary	
Displacement	11.3 cc/rev	0.69 in ³ / rev
Oil / Oil Charge	POE /	330 cc
Weight	12.3 Kg	27.1 lb

Motor Data

Motor Type	2 Pole Induction (PSC)
Voltage Range	198 V to 264 V
Locked Rotor Amps.	Not Fixed.

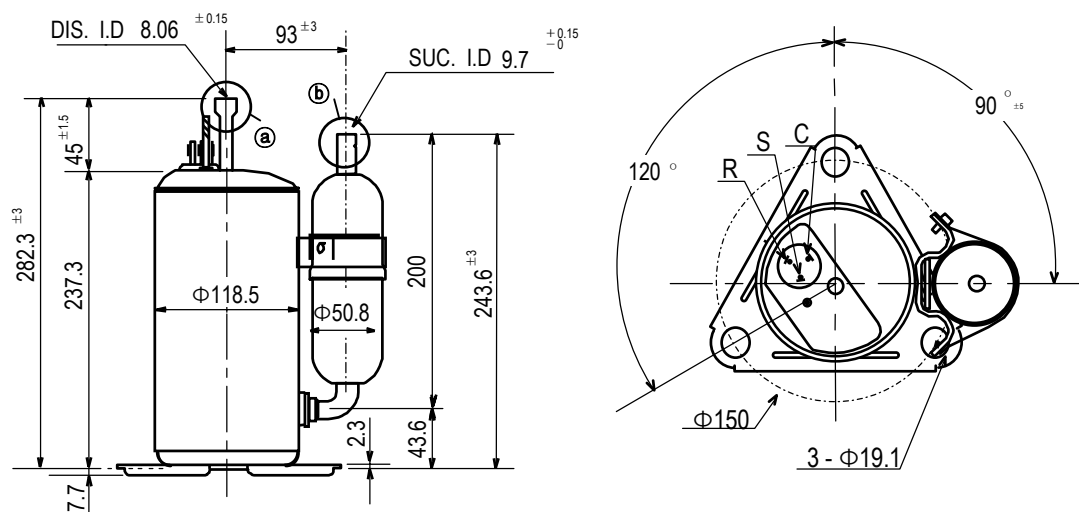
Electrical Components

Running Capacitor	35 μF 370 VAC (Not Fixed)
Overload Protector	MRA 12017- 12026 (Not Fixed)

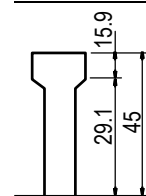
Capacity Test Conditions

Evaporating Temp.	7.2°C	45°F
Condensing Temp.	54.4°C	130°F
Return Gas Temp.	35.0°C	95°F
Liquid Temp.	46.1°C	115°F
Ambient Temp.	35.0°C	95°F

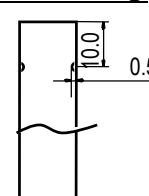
Standard Dimensions



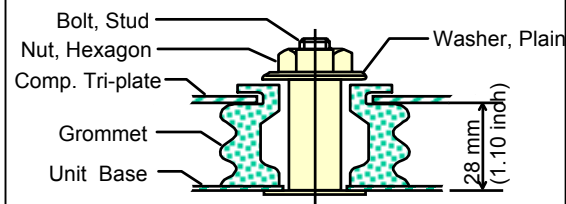
Detail of (a)



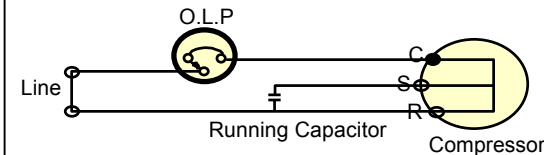
Detail of (b)



Compressor Mounting



Wiring Diagram



* C.S.R mark is embossed on a Cover Terminal