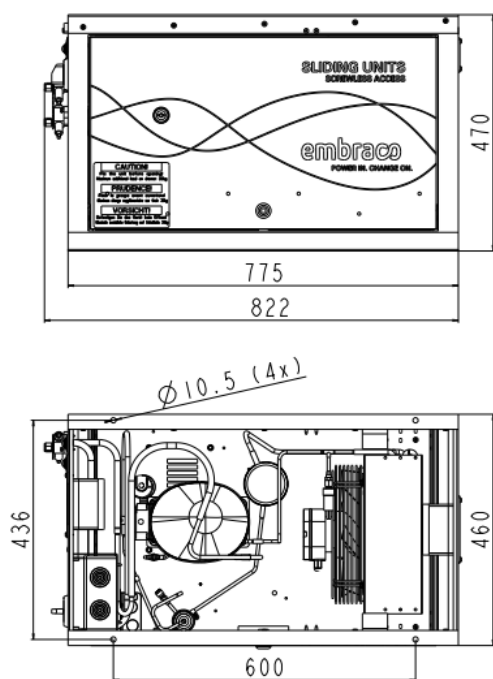


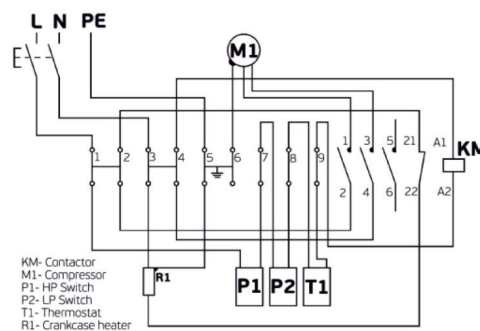
GENERAL DATA

| | |
|-----------------------------|------------------|
| Application: | M/HBP |
| Refrigerant: | R404A |
| Expansion Device: | C-V |
| Weight: | 60 kg |
| Receiver: | 1.1 liter |
| Voltage/Frequency: | 220 - 240 V 50 ~ |
| Height: | 60 mm |
| Length: | 822 mm |
| Width: | 460 mm |
| Institute Approvals: | CE |

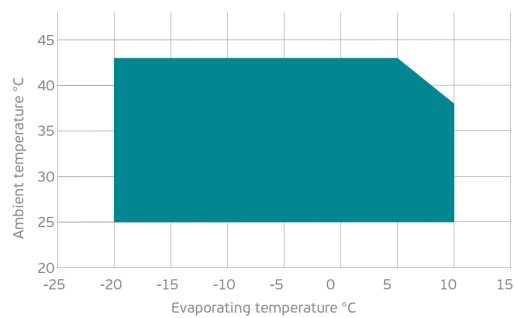
EXTERNAL DIMENSIONS



WIRING DIAGRAM



OPERATING ENVELOPE



COMPONENTS (SPARE PARTS)

| | | | | | |
|---------------------|-------------------------|---------|---------------------|------------------------------|-------------|
| condenser: | 3R11T | 2451206 | dryer: | FILTER DRYER 6MM ODF | 2730006 |
| sightglass: | SIGHT GLASS 6MM ODF | 2464031 | lpressostat: | PS1-A3K | 2466036 |
| hpressostat: | P100CP-106D | 2466034 | elkit: | ELKOM NEK6210GK | 958CA51N1A |
| fankit: | AXIAL FAN 230V/50HZ/1PH | 1996726 | heater: | CRANKCASE HEATER 230V/40W | 2464205 |
| flexihose: | FLEXI HOSE 10MM ODF | 2464241 | valve_suca: | SOLDER 3/8" | 2110119 |
| valve_disch: | SOLDER 1/4" | 2110120 | compressor: | NEK6210GK | 958CA51..AN |

For additional accessories please contact our technical support



ELECTRICAL DATA

Motor Type: CSIR -
Locked Rotor Amperage (LRA): 10.1 A
Max.Current: 3.78 A

At maximum evaporating temperature and maximum ambient temperature.

FAN MOTOR

Number: 1 -
Shaft Power: - W
Air Flow: 840 m³/h
Blade Diameter: 250 mm

PERFORMANCE CURVE DATA

Standard: EN13215-RG20 / return gas 20°C, subcooling 3K

50 Hz

| | Evaporating Temperature (°C) | Cooling Capacity (W) | Power Consumption (W) | Current Consumption (A) | Efficiency (W/W) |
|------------------------------|------------------------------|----------------------|-----------------------|-------------------------|------------------|
| 25 °C Ambient Temperature | 10°C | 1 325 | 654 | 3.64 | 2.03 |
| | 5°C | 1 192 | 599 | 3.39 | 1.99 |
| | 0°C | 1 060 | 547 | 3.17 | 1.94 |
| | -5°C | 930 | 498 | 2.96 | 1.87 |
| | Rated point -10°C | 802 | 452 | 2.78 | 1.77 |
| | -15°C | 675 | 410 | 2.61 | 1.65 |
| | -20°C | 550 | 370 | 2.46 | 1.49 |
| 32 °C Ambient Temperature | 10°C | 1 205 | 674 | 3.75 | 1.79 |
| | 5°C | 1 084 | 617 | 3.50 | 1.76 |
| | 0°C | 964 | 563 | 3.26 | 1.71 |
| | -5°C | 846 | 513 | 3.05 | 1.65 |
| | Rated point -10°C | 729 | 466 | 2.86 | 1.56 |
| | -15°C | 614 | 422 | 2.69 | 1.45 |
| | -20°C | 500 | 382 | 2.54 | 1.31 |
| 43 °C Ambient Temperature | 5°C | 922 | 656 | 3.72 | 1.41 |
| | 0°C | 820 | 598 | 3.47 | 1.37 |
| | -5°C | 719 | 544 | 3.24 | 1.32 |
| | Rated point -10°C | 620 | 494 | 3.03 | 1.25 |
| | -15°C | 522 | 448 | 2.85 | 1.17 |
| | -20°C | 425 | 405 | 2.69 | 1.05 |