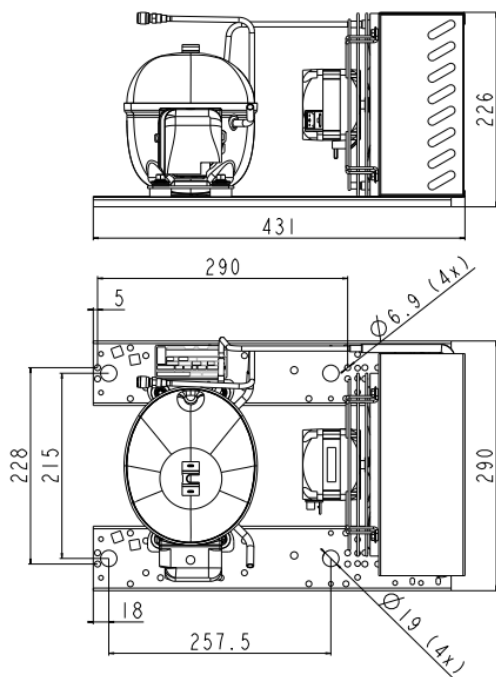


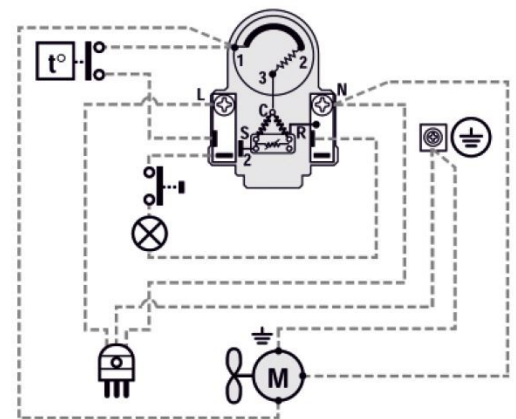
### GENERAL DATA

|                             |                  |
|-----------------------------|------------------|
| <b>Application:</b>         | M/HBP            |
| <b>Refrigerant:</b>         | R134a            |
| <b>Expansion Device:</b>    | C                |
| <b>Weight:</b>              | 12.6 kg          |
| <b>Receiver:</b>            | 0 liter          |
| <b>Voltage/Frequency:</b>   | 220 - 240 V 50 ~ |
| <b>Height:</b>              | 12.6 mm          |
| <b>Length:</b>              | 431 mm           |
| <b>Width:</b>               | 290 mm           |
| <b>Institute Approvals:</b> | <b>CE</b>        |

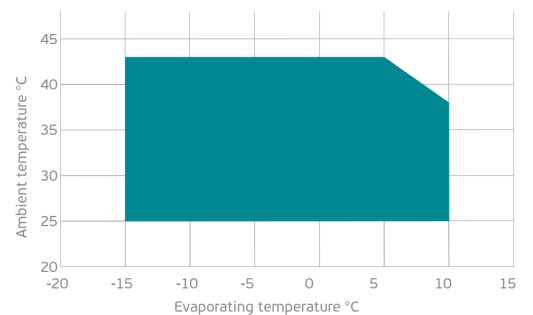
### EXTERNAL DIMENSIONS



### WIRING DIAGRAM



### OPERATING ENVELOPE



### COMPONENTS (SPARE PARTS)

**condenser:** 2R8T 2451207

**fankit:** 10W 200/28/5B 1996700

For additional accessories please contact our technical support

**ELECTRICAL DATA**

|                              |        |
|------------------------------|--------|
| Motor Type:                  | RSIR - |
| Locked Rotor Amperage (LRA): | 5.4 A  |
| Max.Current:                 | 1.3 A  |

At maximum evaporating temperature and maximum ambient temperature.

**FAN MOTOR**

|                 |                       |
|-----------------|-----------------------|
| Number:         | 1 -                   |
| Shaft Power:    | 10 W                  |
| Air Flow:       | 300 m <sup>3</sup> /h |
| Blade Diameter: | 200 mm                |

**PERFORMANCE CURVE DATA**

Standard: EN13215-RG20 / return gas 20°C, subcooling 3K

50 Hz

|                                 | Evaporating Temperature (°C) | Cooling Capacity (W) | Power Consumption (W) | Current Consumption (A) | Efficiency (W/W) |
|---------------------------------|------------------------------|----------------------|-----------------------|-------------------------|------------------|
| 25 °C<br>Ambient<br>Temperature | 10°C                         | 550                  | 212                   | 1.30                    | 2.59             |
|                                 | 5°C                          | 476                  | 195                   | 1.22                    | 2.44             |
|                                 | 0°C                          | 405                  | 179                   | 1.15                    | 2.27             |
|                                 | -5°C                         | 338                  | 164                   | 1.10                    | 2.06             |
|                                 | Rated point<br>-10°C         | 275                  | 150                   | 1.06                    | 1.83             |
|                                 | -15°C                        | 218                  | 139                   | 1.01                    | 1.57             |
| 32 °C<br>Ambient<br>Temperature | 10°C                         | 500                  | 219                   | 1.34                    | 2.28             |
|                                 | 5°C                          | 432                  | 201                   | 1.25                    | 2.15             |
|                                 | 0°C                          | 368                  | 184                   | 1.19                    | 2.00             |
|                                 | -5°C                         | 307                  | 169                   | 1.14                    | 1.82             |
|                                 | Rated point<br>-10°C         | 250                  | 155                   | 1.09                    | 1.61             |
|                                 | -15°C                        | 198                  | 143                   | 1.04                    | 1.38             |
| 43 °C<br>Ambient<br>Temperature | 5°C                          | 369                  | 213                   | 1.34                    | 1.73             |
|                                 | 0°C                          | 313                  | 195                   | 1.26                    | 1.60             |
|                                 | -5°C                         | 261                  | 179                   | 1.21                    | 1.46             |
|                                 | Rated point<br>-10°C         | 212                  | 164                   | 1.15                    | 1.29             |
|                                 | -15°C                        | 168                  | 152                   | 1.10                    | 1.11             |