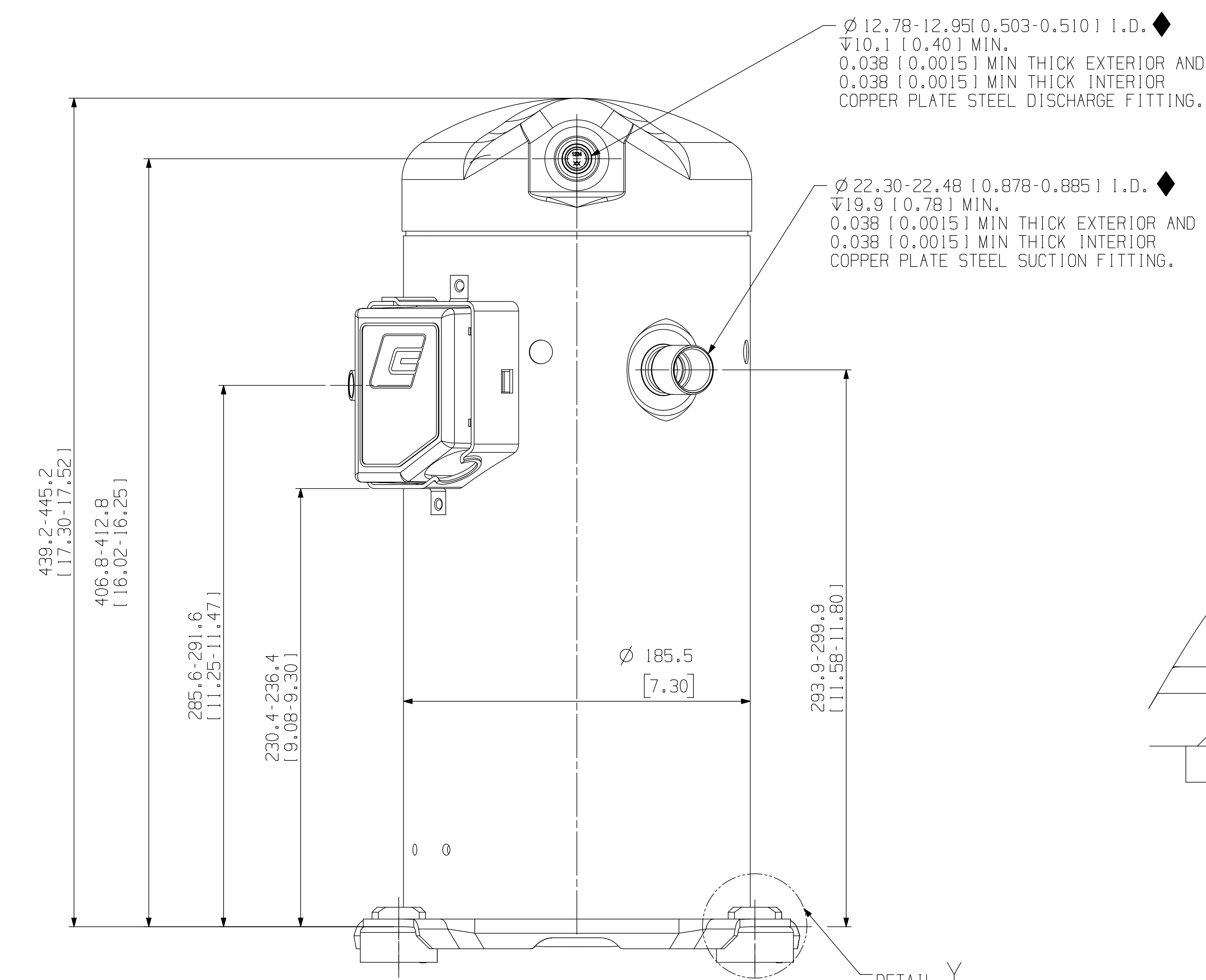
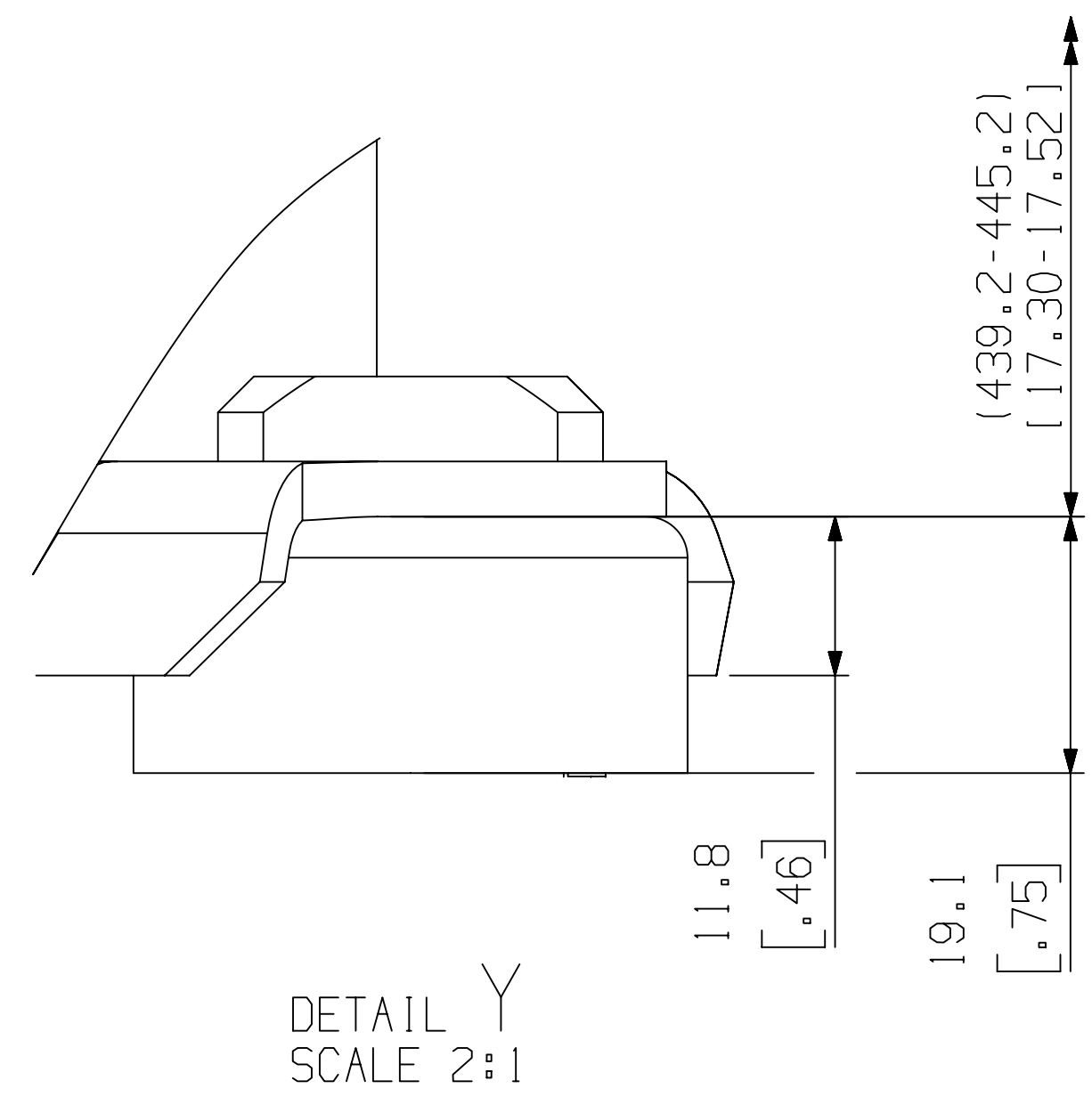


Ø 12.78-12.90 [0.503-0.508] I.D. ◆
 ∇10.1 [0.40] MIN.
 0.038 [0.0015] MIN THICK EXTERIOR AND
 0.038 [0.0015] MIN THICK INTERIOR
 COPPER PLATE STEEL VAPOR INJECTION FITTING.



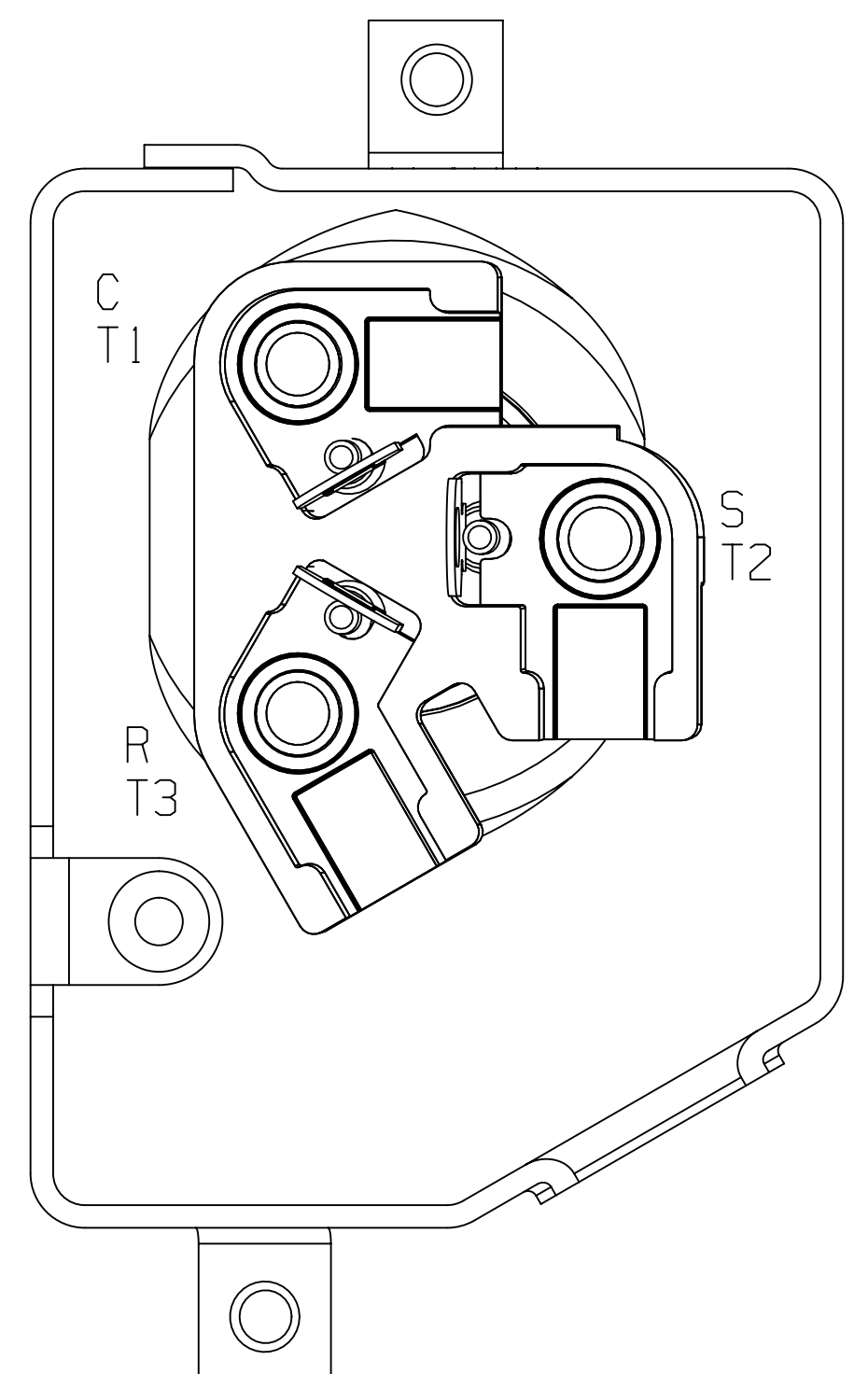
Ø 12.78-12.95 [0.503-0.510] I.D. ◆
 ∇10.1 [0.40] MIN.
 0.038 [0.0015] MIN THICK EXTERIOR AND
 0.038 [0.0015] MIN THICK INTERIOR
 COPPER PLATE STEEL DISCHARGE FITTING.

Ø 22.30-22.48 [0.878-0.885] I.D. ◆
 ∇19.9 [0.78] MIN.
 0.038 [0.0015] MIN THICK EXTERIOR AND
 0.038 [0.0015] MIN THICK INTERIOR
 COPPER PLATE STEEL SUCTION FITTING.

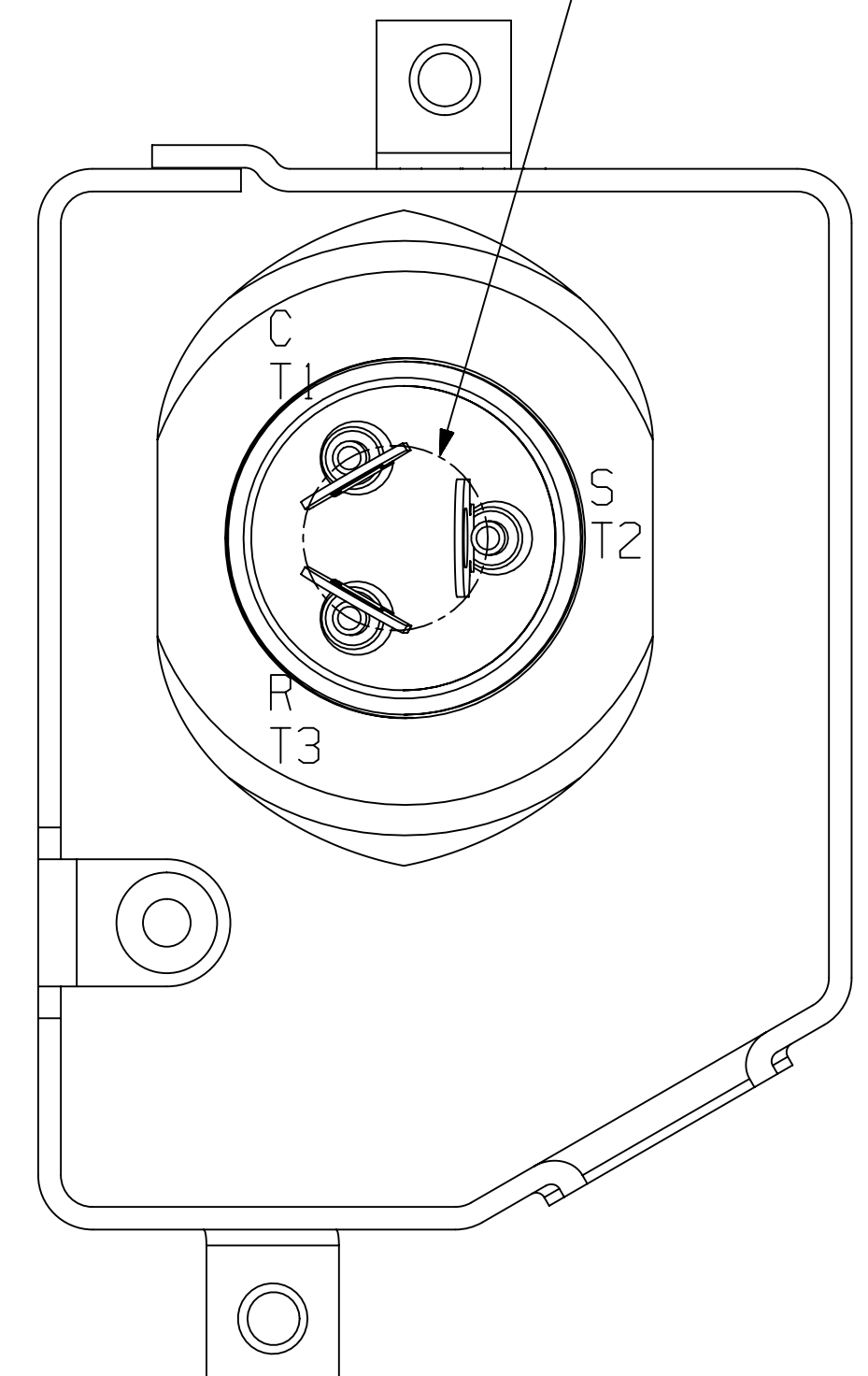


DETAIL Y
 SCALE 2:1

MODEL NUMBER	
ZP161KCE-TFD, TF7, TF5	⑦
ZP172KCE-TFD, TF7, TF5	
ZP183KCE-TFD, TF7, TF5	
ZP154KCE-TFD	
ZW68KS/KSE-PFS	④
ZW79KS/KSE-TFP	⑤
ZW126HSP-PFS	⑥



T' BOX LAYOUT
 OPTIONAL
 SCALE 3:2

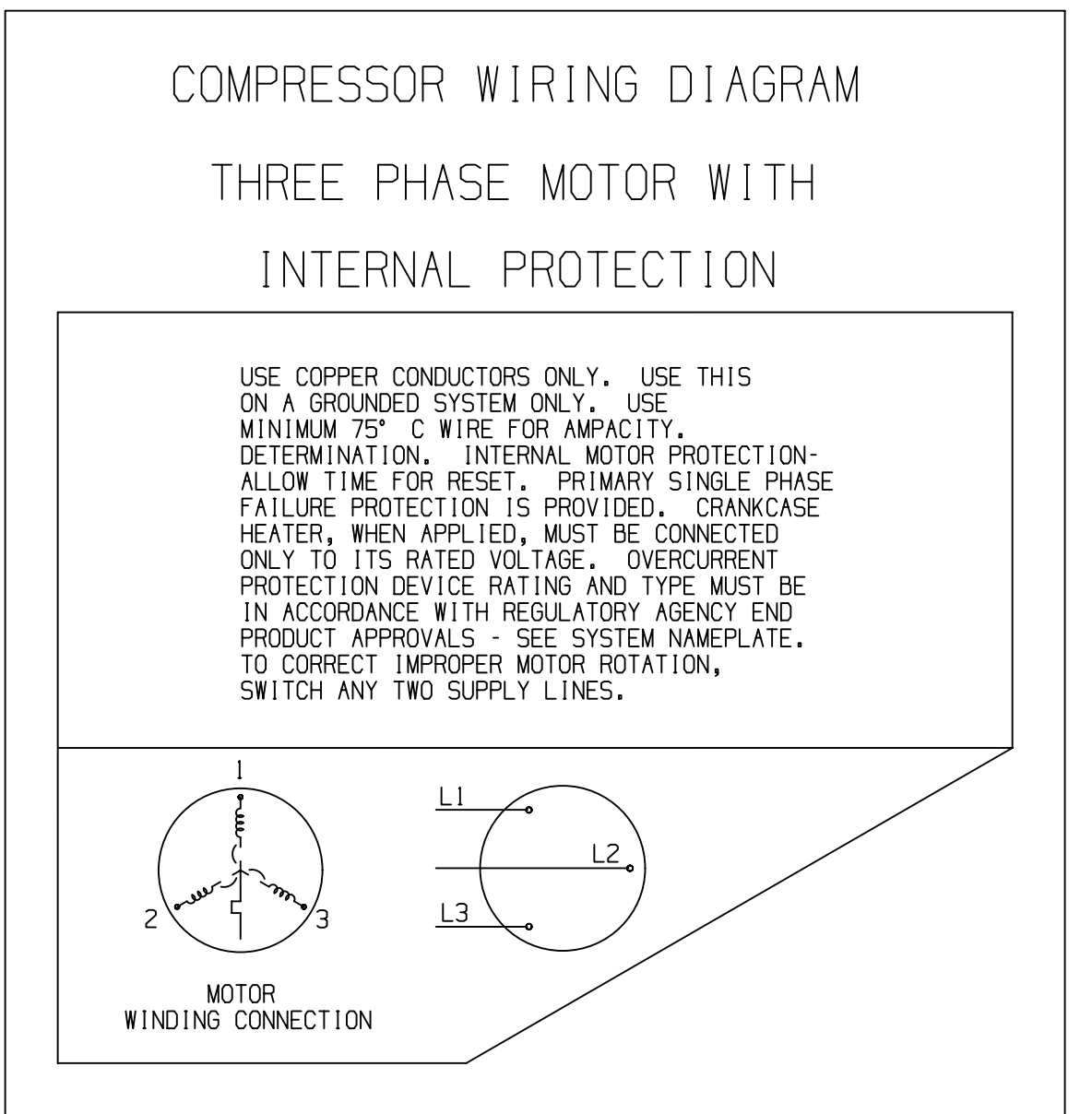
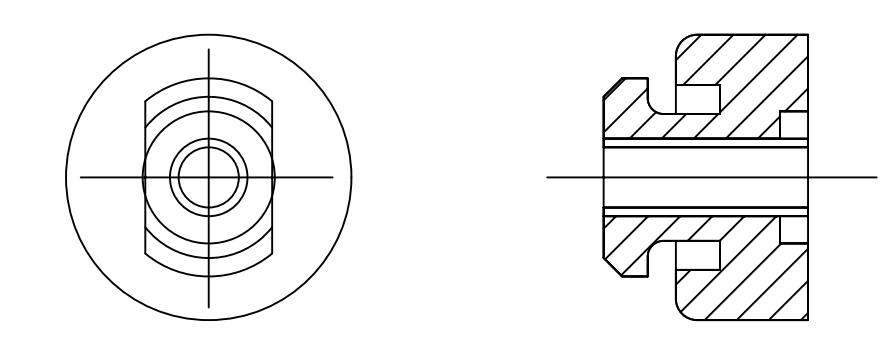


T' BOX LAYOUT
 STANDARD
 SCALE 3:2

SPECIFICATIONS	
ES NO.	DESCRIPTION
ES92-155	CONVERSION-METRIC

- NOTES:
- 1. ALL TOLERANCES ± 1.50 [0.060] UNLESS OTHERWISE SPECIFIED.
 - 2. DUE TO ACCUMULATED ASSEMBLY TOLERANCES THE LISTED COMPONENTS MAY VARY FROM THE MOUNTING HOLES AS SHOWN BELOW:
 - 3. ALL FITTINGS : ± 3.0 [0.12]
 - 4. MOUNTING KIT.
 - 5. TUBE ENDS MUST BE PLUGGED.

GROMMET DUROMETER	4 FOOT KIT
35-45	527-0116-00



INTERPRET PER ASME Y14.5M-1994 AND EMERSON CLIMATE TECHNOLOGIES, INC. DESIGN STANDARDS DS2002
 DO NOT SCALE DRAWINGS

CRITICAL PRODUCT CHARACTERISTICS

THIRD ANGLE PROJECTION

UNLESS OTHERWISE SPECIFIED DIMENSIONS ARE MILLIMETER OR 1 INCH

1-PLACE :
 2-PLACE :
 ANGULAR :

ECN	REV.	DESCRIPTION	DATE	BY	CHKD	APPR
ECN808152	7	REMOVED ZP161KCE-TF7	07-13-18	SZ	ZH	AW
ECN301680	6	ADD ZW126HSP-PFS	08-02-17	SZ	AW	EX
ECN102893	5	ADD ZW79KS/KSE-TFP	06-13-17	AZ	AW	SY
ECN300451	4	REDRAWN, ADDED ZW68KS/KSE	11-24-16	AW	JC	EX
ECN000363	0	RELEASED	01-31-08	UXM	FH	BL

ENG NOTICE NO. REV. NO. REVISIONS

CONFIDENTIALITY NOTICE

THIS DRAWING AND INFORMATION CONTAINED HEREIN ARE THE EXCLUSIVE PROPERTY OF EMERSON CLIMATE TECHNOLOGIES, INC. AND SHALL BE RETURNED UPON DEMAND AND SHALL NOT BE REPRODUCED IN WHOLE OR IN PART, DISSEMINATED TO ANYONE ELSE OR USED, WITHOUT THE WRITTEN CONSENT OF EMERSON CLIMATE TECHNOLOGIES, INC.

MATERIAL SPECIFICATION: N/A

DRAWN BY: AW
 DATE: 11-24-16
 SCALE: 3:4
 SUPERSEDES DWG. NO. / REV. NO.: 497-0640-00/004
 DATE FORMAT: MM-DD-YY
 SHEET 1 OF 1

TITLE: REF DWG-WELD COMP ASSM
 DRAWING NUMBER: 497-0640-00