

220-240V 50 1~**GENERAL DATA**

Application: LBP
Refrigerant: R404A
Evaporating Temperature Range: -40°C to -10°C
Compressor Cooling: Fan
Fan air flow: 800 m³/h
Type: Hermetic reciprocating
Technology Type: On-Off
Expansion Device: Capillary Tube or Expansion Valve
Packing Quantity: Multi - 36 pcs
Displacement: 26.1 cm³
Horse power: 1.25 hp

Approvals:     

**MECHANICAL DATA**

Bore: 41.77 mm
Stroke: 19.07 mm
Oil Charge: 750ml +/-15ml
Free Internal Volume: 3.9 cm³
Maximum Recommended Refrigerant Charge: 800 g
Oil Type Configuration: Polyolester
Oil Type Viscosity: ISO22
Compressor pressurization: Dry air charge
Weight: 20.9 kg

ELECTRICAL DATA

Motor Type: CSR
Starting Torque: HST
Voltage working range at 50 Hz: 198-254 V
Maximum Motor Temperature: 130 °C
Start Winding Resistance: 11.2 Ω (± 10%) at 25°C
Run Winding Resistance: 2.9 Ω (± 10%) at 25°C

MOUNTING ACCESSORIES

	Description	Code
Cover:	yes	2075281
Terminal Board:	no	-
Anchorage:	no	-
Overload Protector Bracket:	no	-
Capacitor Bracket:	no	-
Grommets:	yes	2221004
Sleeves:	yes	2222016
Washer:	no	-
Pin:	no	-
Clip:	no	-
Rotolock valve:	no	-

ELECTRICAL COMPONENTS

	Component type	Description	Code
Start Capacitor:		88-108 MFD 330V	2252269
Starting Device:	Potential relay	RVA2M3C-111	1253008
Run Capacitor:		20 MFD	2253312
Motor Protection:	Internal	15HM2459	
CSR / CSIR Box:	yes		1262103

EXTERNAL CHARACTERISTICS

Base Plate: Large
Tray Holder: No
Height: 265 mm

	Internal Diameter (mm)	Material	Shape
Suction Connector	9.6	Copper	Vertical
Discharge Connector	8	Copper	Slanted 65°



RATED POINT DATA

Cooling Capacity (W)	Power Consumption (W)	Current Consumption (A)	Gas Flow Rate (kg/h)	Efficiency (W/W)
±5%	±5%	±5%	±5%	±7%
586	599	2.74	15.89	0.98

Test condition: EN 12900, Fan, Return Gas 20°C, Subcooling OK, Evaporating: -35°C, Condensing: 40°C, Ambient: 35°C

PERFORMANCE CURVE DATA**220V 50Hz**

Condensing Temperature (°C)	Evaporating Temperature (°C)	Cooling Capacity (W)	Power Consumption (W)	Current Consumption (A)	Gas Flow Rate (kg/h)	Efficiency (W/W)
		±5%	±5%	±5%	±5%	±7%
35°C	-10	2 292	1 098	5.09	60.43	2.09
	-15	1 874	994	4.61	48.96	1.89
	-20	1 502	892	4.13	38.94	1.68
	-25	1 177	793	3.66	30.31	1.48
	-30	898	700	3.20	23.01	1.28
	-35	666	612	2.79	16.99	1.09
	-40	480	530	2.42	12.19	0.90

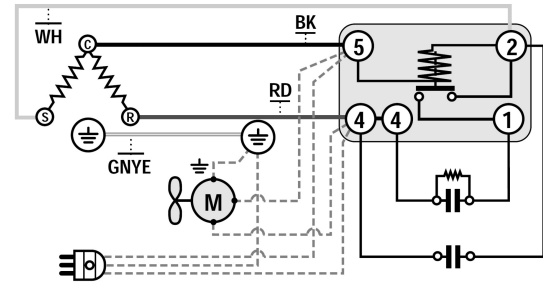
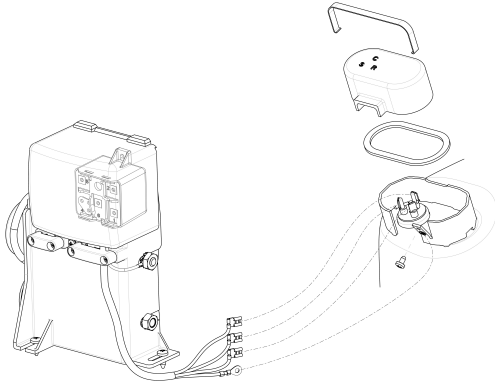
Condensing Temperature (°C)	Evaporating Temperature (°C)	Cooling Capacity (W)	Power Consumption (W)	Current Consumption (A)	Gas Flow Rate (kg/h)	Efficiency (W/W)
		±5%	±5%	±5%	±5%	±7%
45°C	-10	1 842	1 179	5.47	55.31	1.56
	-15	1 505	1 052	4.86	44.75	1.43
	-20	1 203	928	4.27	35.48	1.30
	-25	937	808	3.71	27.42	1.16
	-30	705	693	3.18	20.52	1.02
	-35	509	585	2.70	14.73	0.87

Condensing Temperature (°C)	Evaporating Temperature (°C)	Cooling Capacity (W)	Power Consumption (W)	Current Consumption (A)	Gas Flow Rate (kg/h)	Efficiency (W/W)
		±5%	±5%	±5%	±5%	±7%
55°C	-10	1 444	1 280	5.97	51.18	1.13
	-15	1 179	1 126	5.23	41.31	1.05
	-20	939	975	4.51	32.53	0.96
	-25	722	829	3.83	24.81	0.87
	-30	530	689	3.21	18.07	0.77

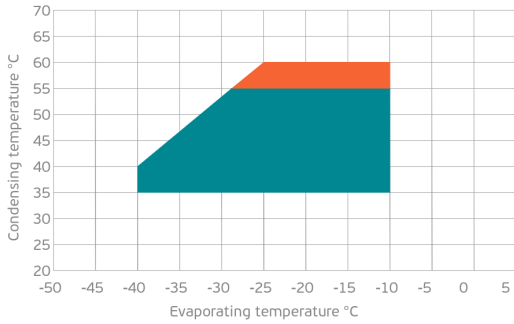
Test condition: EN 12900, Fan, Return Gas 20°C, Subcooling OK, Ambient: 35°C

ASSEMBLY INSTRUCTION

WIRING DIAGRAM



OPERATING ENVELOPE



- Operating Condition
- Transient Condition
- Superheating

NOTE: usage of compressors outside of intended working range cannot make use of the warranty, or should be consulted with Technical support.

