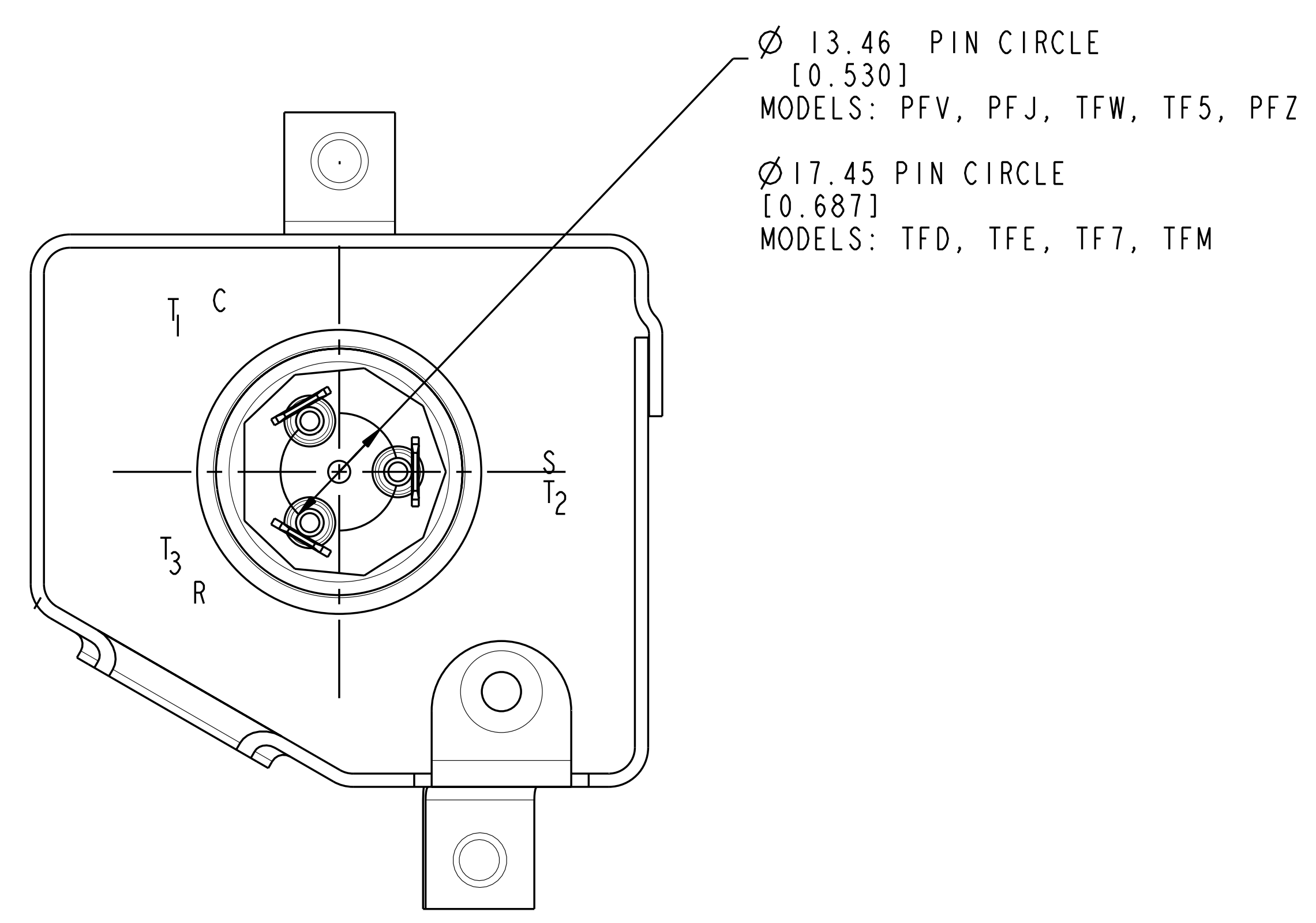
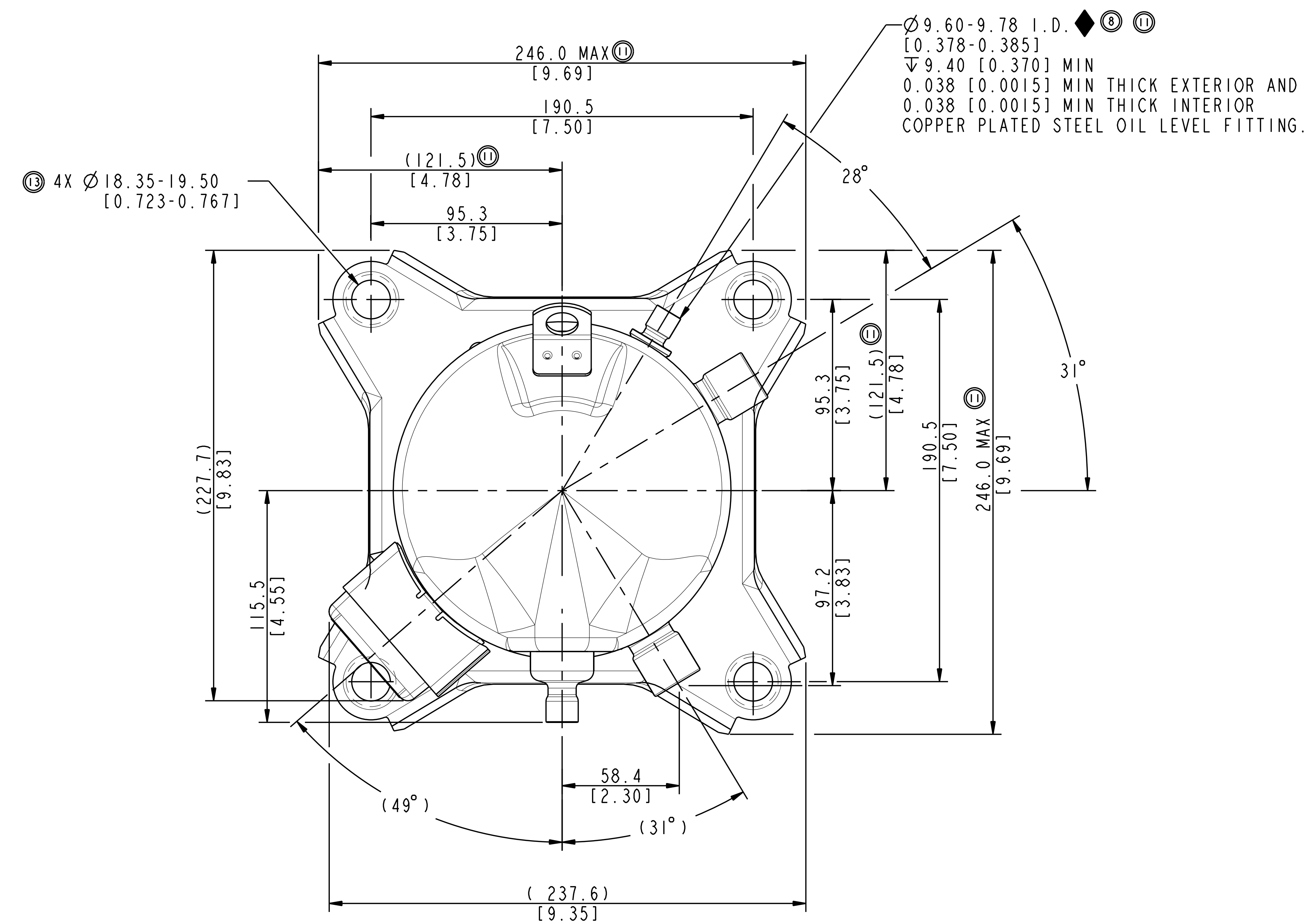


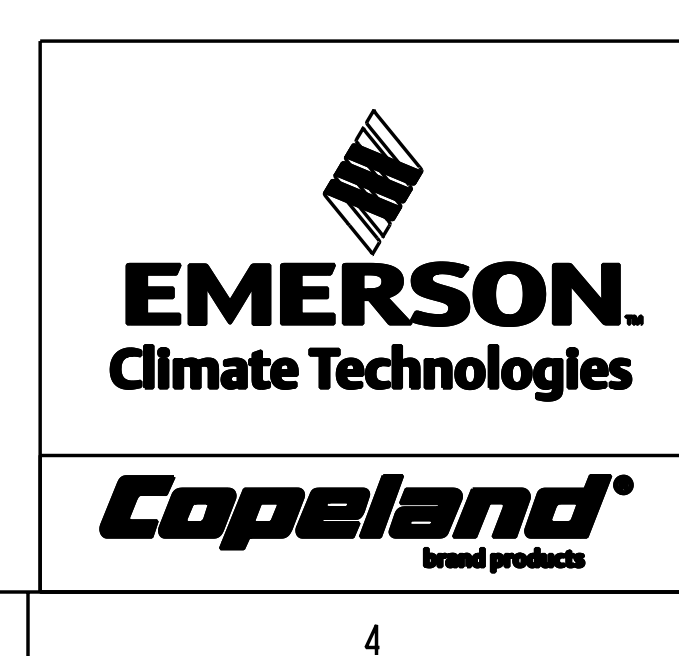
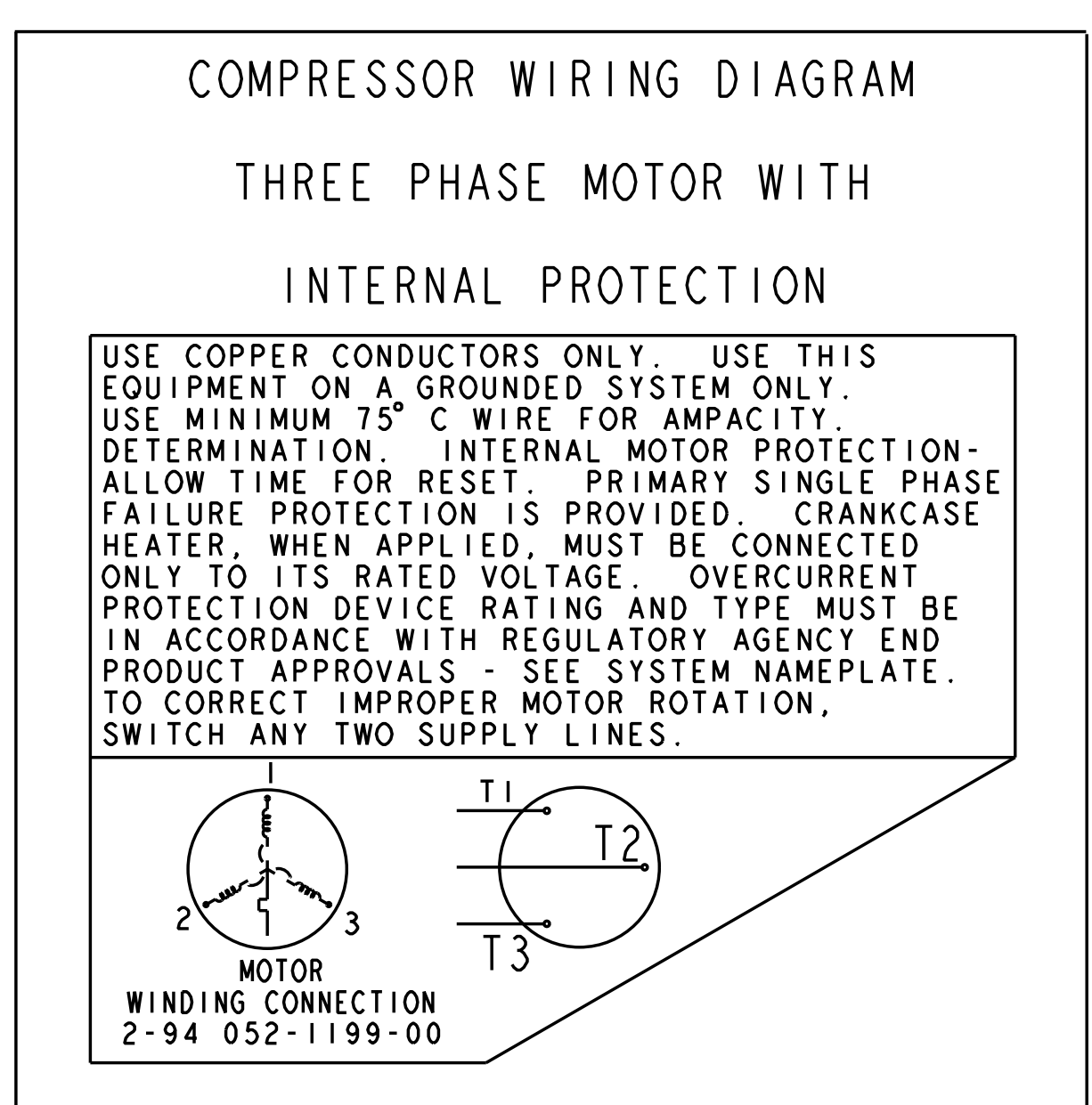
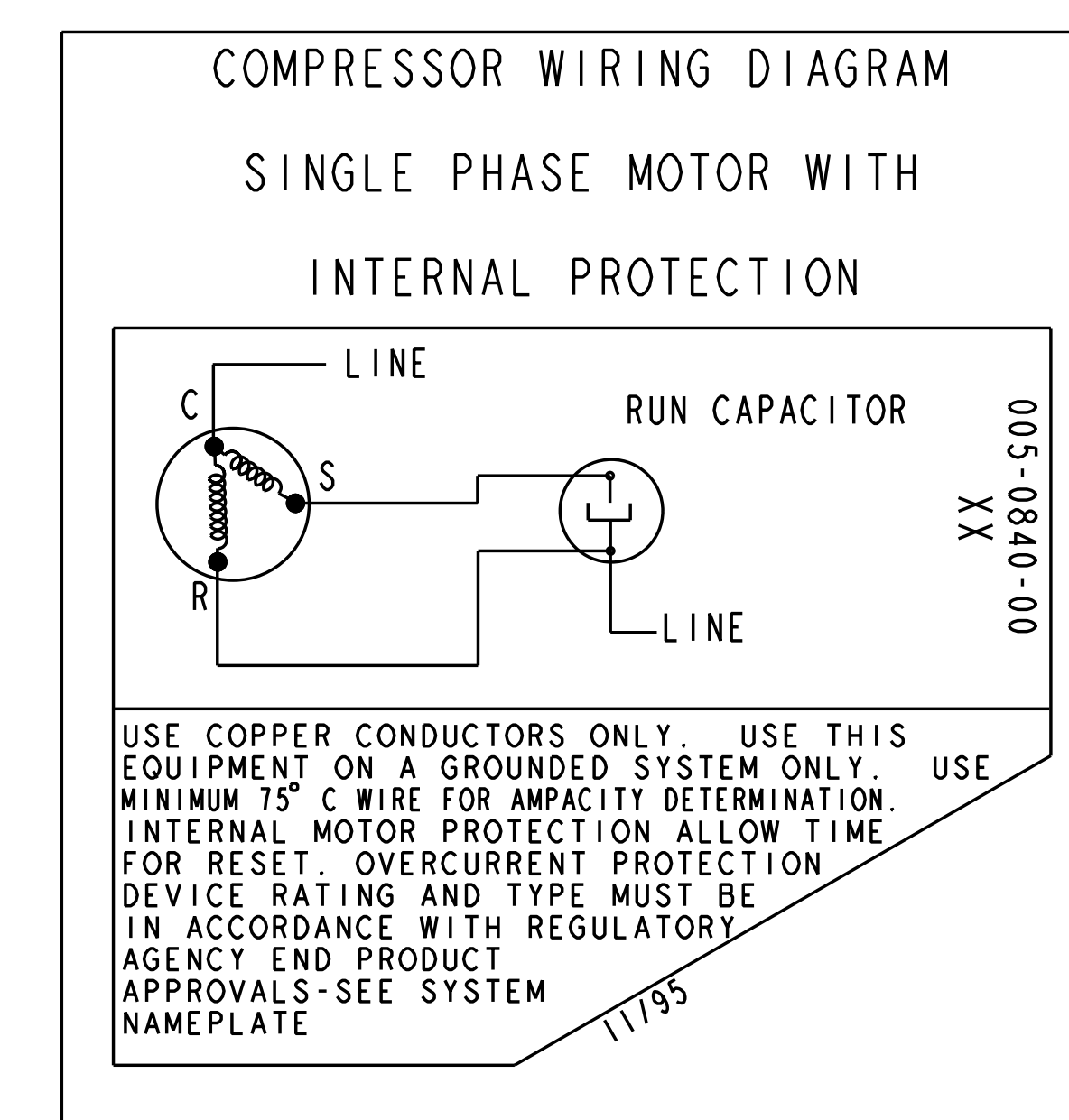
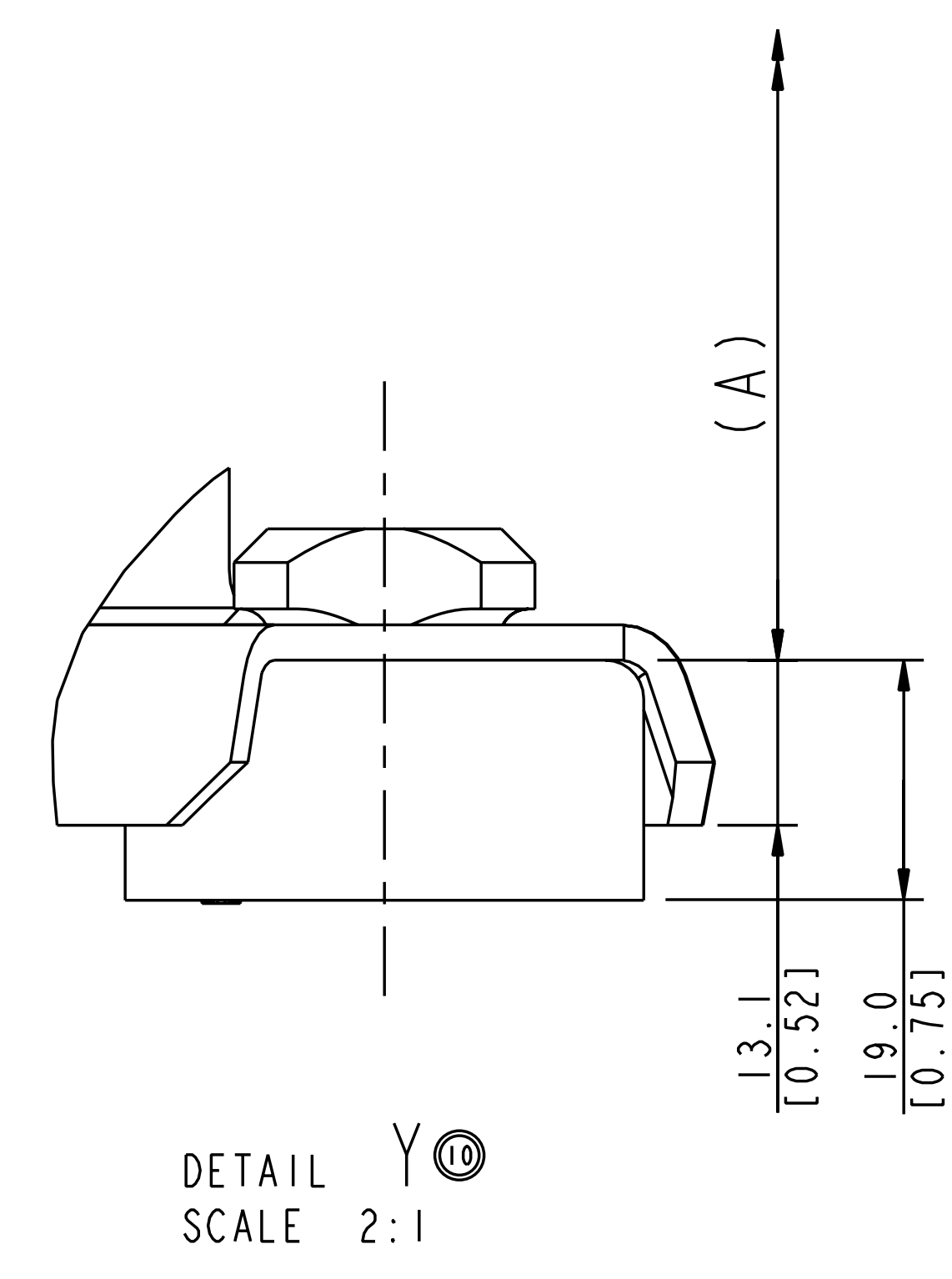
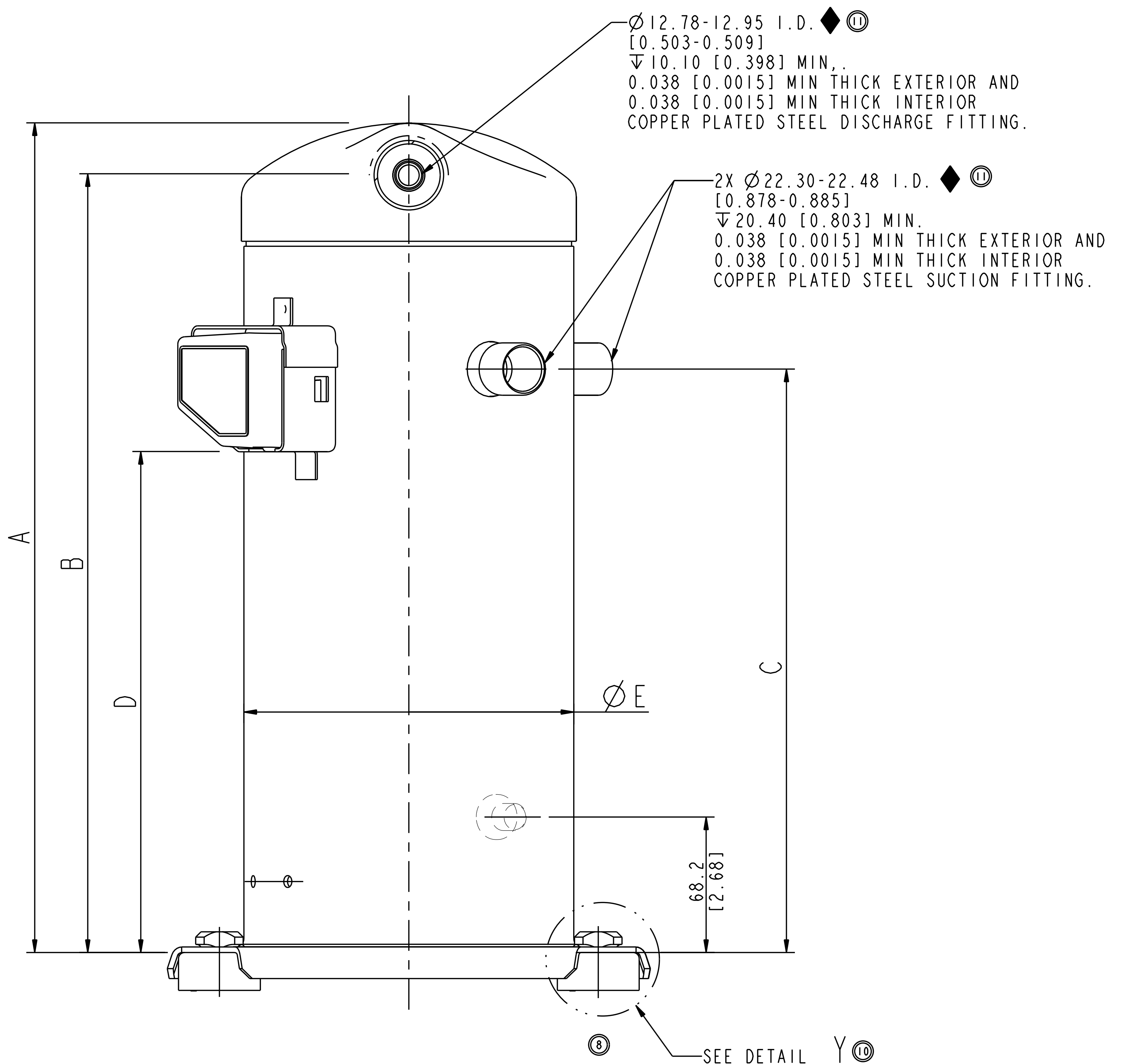
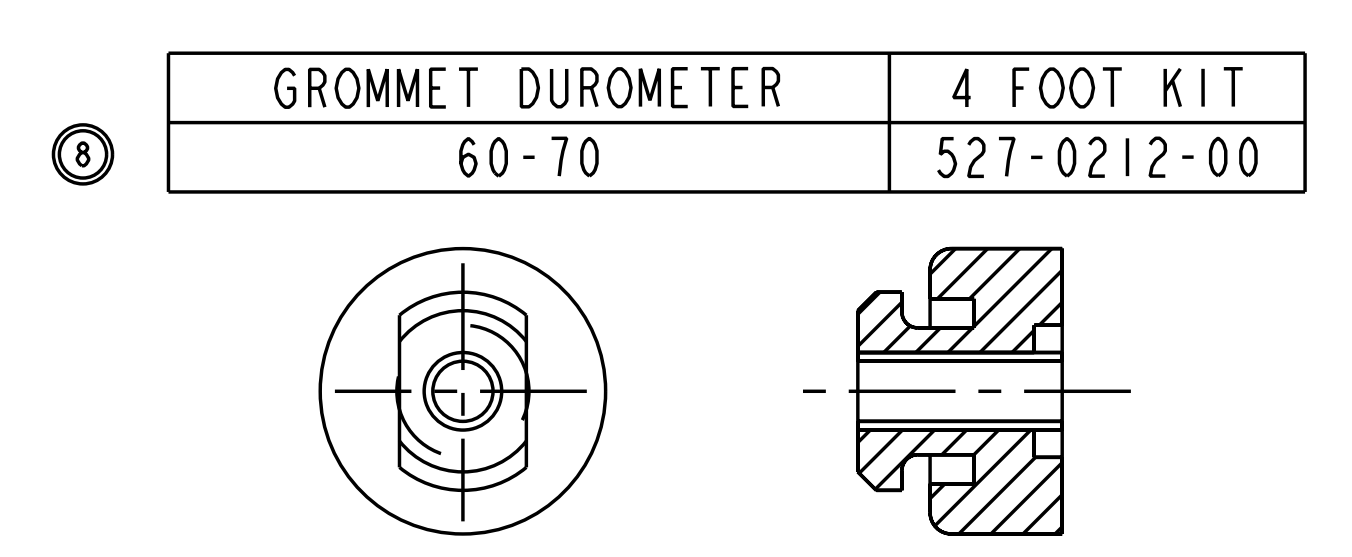
MODEL NUMBER	A ±3.0	B	C	D ±3.0	ØE
⑬ ZR45K3/K3E-TFD/TF5 ZR45K3/E-PFV ⑭ ZR48KC-PFV, TF7, TFD ZR48KC/E-TFD, TF5, TF7 ZR48K3/E-PFJ, PFV, PFZ, TFD, TFE, TF5 ⑮ ZR45KC-TFD, TFE, TF5, PFV ⑯ ZR45KCE-TF5	417.3 [16.43]	391.6 [15.42]	293.5 [11.56]	252.0 [9.92]	165.8 [6.53]

SPECIFICATIONS	
ES NO.	DESCRIPTION
ES92-155	CONVERSION-METRIC



T-BOX LAYOUT
STANDARD
SCALE 2:1

- NOTES:
- ALL TOLERANCES ±1.50 [0.060] UNLESS OTHERWISE SPECIFIED.
 - DUE TO ACCUMULATED ASSEMBLY TOLERANCES THE LISTED COMPONENTS MAY VARY FROM THE MOUNTING HOLES AS SHOWN BELOW:
 - ALL FITTINGS : ±3.0 [0.12]
 - MOUNTING KIT.
 - TUBE ENDS MUST BE PLUGGED.



INTERPRET PER ASME Y14.5M-1994 AND EMERSON CLIMATE TECHNOLOGIES, INC. DESIGN STANDARDS DS2002 DO NOT SCALE DRAWING
 THIRD ANGLE PROJECTION
 CRITICAL PRODUCT CHARACTERISTIC
 UNLESS OTHERWISE SPECIFIED DIMENSIONS ARE MILLIMETER OR (INCH)
 TOLERANCES:
 1-PLACE ±
 2-PLACE ±
 ANGULAR ± N/A

ECN	REV	DESCRIPTION	DATE	BY	CHKD	APPR
ECN007725	13	ADDED ZR45KCE-TF5, ZR45K3E-TF5/TFD MODEL	10-16-13	RRP	BR	KJR
ECN006587	12	ADDED ZR45KC-PFV	02-26-13	RRP	MA	KJR
ECN005910	11	REVISED DIMENSION	09-20-12	PPJ	MA	KJR
ECN002010	10	ADDED MODELS TO MODEL NUMBER TABLE	10-30-09	PBM	MA	KJR
32-0805-037	9	REMOVED MODELS ZP38/41K3E-TFD	07-23-08	PBM	EC	KJR
ECN000446	8	REPLACED SPACER MOUNTING ASSM WAS: 527-0116-00	01-28-08	SVK	EC	KJR
ECN000362	7	ADDED MODEL ZR48K3-PFZ	04-04-07	SUP	EC	KJR
32-0506-105	6	COMMONIZATION OF 497 PRINTS	08-02-06	SUP	EC	RST
32-0805-037	5	CHARTED MODELS, ADD ZP38/41K3E-TFD	02-28-06	MA	EC	RST
32-0605-070	4	ADDED MODEL ZR48K3E-PFJ	11-25-05	GGK	EC	RST
32-0405-044	3	ADDED ZR45K3-TFD/TF5	10-24-05	MA	EC	RST
32-0905-016	2	ADDED MODELS	09-09-05	RS	EC	RST
32-0505-043	1	ADDED ZR48K3-PFJ AND ZR48KC-PFV	05-19-05	RS	EC	RST
32-0505-021	0	RELEASED	05-19-05	MA	EC	RST

ENG NOTICE NO. REV. NO. REVISIONS DATE BY CHKD APPR

CONFIDENTIALITY NOTICE
 THIS DRAWING AND INFORMATION CONTAINED HEREIN ARE THE EXCLUSIVE PROPERTY OF EMERSON CLIMATE TECHNOLOGIES, INC. AND SHALL BE RETURNED UPON DEMAND AND SHALL NOT BE REPRODUCED IN WHOLE OR IN PART DISCLOSED TO ANYONE ELSE OR USED, WITHOUT THE WRITTEN CONSENT OF EMERSON CLIMATE TECHNOLOGIES, INC.

DRAWN BY: MA / SUPERSEDES DWG. NO. / REV. NO.
 DATE: 05-19-05 / SCALE: 3:4 / DATE FORMAT: MM-DD-YY
 MATERIAL SPECIFICATION: N/A
 TITLE: REF DWG-WELD COMP ASSM / SHEET 1 OF 1 / DWG NO: 497-2849-00 / 5 SIZE