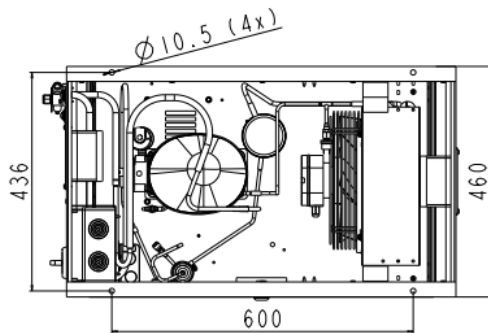
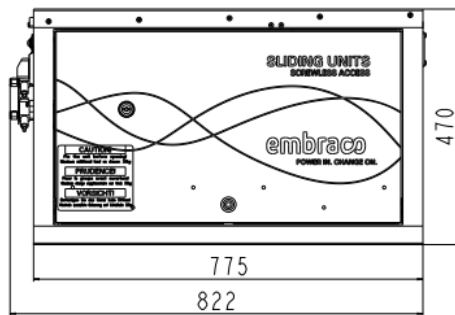


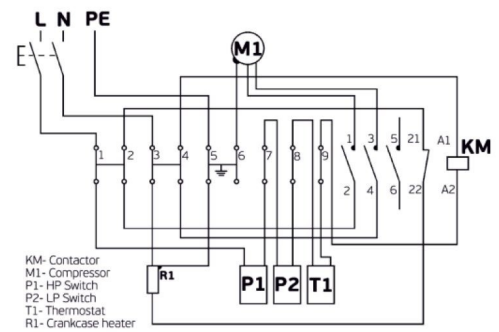
GENERAL DATA

Application:	LBP
Refrigerant:	R404A
Expansion Device:	C-V
Weight:	60 kg
Receiver:	1.1 liter
Voltage/Frequency:	220 - 240 V 50 ~
Height:	60 mm
Length:	822 mm
Width:	460 mm
Institute Approvals:	CE

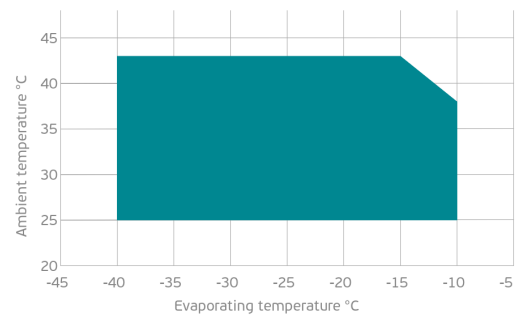
EXTERNAL DIMENSIONS



WIRING DIAGRAM



OPERATING ENVELOPE



COMPONENTS (SPARE PARTS)

dryer:	FILTER DRYER 6MM ODF	2730006
lppressostat:	PS1-A3K	2466036
condenser:	3R12T	2451226
heater:	CRANKCASE HEATER 230V/40W	2464205
valve_suca:	SOLDER 3/8"	2110119
compressor:	NEK2168GK	959HA51..AM

sightglass:	SIGHT GLASS 6MM ODF	2464031
hpressostat:	P100CP-106D	2466034
fankit:	AXIAL FAN 230V/50HZ/1PH	1996726
flexihose:	FLEXI HOSE 10MM ODF	2464241
valve_disch:	SOLDER 1/4"	2110120
elkit:	ELKOM NEK2168GK	959HA5190A

For additional accessories please contact our technical support



ELECTRICAL DATA

Motor Type:	CSIR -
Locked Rotor Amperage (LRA):	18.5 A
Max.Current:	5.09 A

At maximum evaporating temperature and maximum ambient temperature.

FAN MOTOR

Number:	1 -
Shaft Power:	- W
Air Flow:	840 m ³ /h
Blade Diameter:	250 mm

PERFORMANCE CURVE DATA

Standard: EN13215-RG20 / return gas 20°C, subcooling 3K

50 Hz

	Evaporating Temperature (°C)	Cooling Capacity (W)	Power Consumption (W)	Current Consumption (A)	Efficiency (W/W)
25 °C Ambient Temperature	-10°C	1 043	814	4.73	1.28
	-15°C	894	718	4.36	1.25
	-20°C	756	632	4.04	1.20
	-25°C	630	555	3.77	1.14
	-30°C	516	488	3.55	1.06
	Rated point -35°C	413	430	3.38	0.96
	-40°C	321	381	3.27	0.84
32 °C Ambient Temperature	-10°C	949	840	4.89	1.13
	-15°C	812	739	4.49	1.10
	-20°C	686	650	4.16	1.06
	-25°C	572	571	3.88	1.00
	-30°C	468	502	3.66	0.93
	Rated point -35°C	376	444	3.49	0.85
	-40°C	294	396	3.38	0.74
43 °C Ambient Temperature	-15°C	694	789	4.79	0.88
	-20°C	585	691	4.42	0.85
	-25°C	486	606	4.11	0.80
	-30°C	398	532	3.88	0.75
	Rated point -35°C	319	470	3.70	0.68
	-40°C	251	420	3.59	0.60