

220-240V 50 1~



### GENERAL DATA

**Application:** HBP  
**Refrigerant:** R134a  
**Evaporating Temperature Range:** -15°C to 10°C  
**Compressor Cooling:** Fan  
**Fan air flow:** 800 m<sup>3</sup>/h  
**Type:** Hermetic reciprocating  
**Technology Type:** On-Off  
**Expansion Device:** Capillary Tube or Expansion Valve  
**Packing Quantity:** Multi - 36 pcs  
**Displacement:** 26.1 cm<sup>3</sup>  
**Horse power:** 3.4 hp

Approvals:   

### MECHANICAL DATA

**Bore:** 41.77 mm  
**Stroke:** 19.07 mm  
**Oil Charge:** 750ml +/-15ml  
**Free Internal Volume:** 3.9 cm<sup>3</sup>  
**Maximum Recommended Refrigerant Charge:** 800 g  
**Oil Type Configuration:** Polyolester  
**Oil Type Viscosity:** ISO22  
**Compressor pressurization:** Dry air charge  
**Weight:** 21 kg

### ELECTRICAL DATA

**Motor Type:** CSIR  
**Starting Torque:** HST  
**Voltage working range at 50 Hz:** 198-254 V  
**Maximum Motor Temperature:** 130 °C  
**Start Winding Resistance:** 13.62 Ω (± 10%) at 25°C  
**Run Winding Resistance:** 2.11 Ω (± 10%) at 25°C

### MOUNTING ACCESSORIES

	Description	Code
<b>Cover:</b>	yes	2075281
<b>Terminal Board:</b>	no	-
<b>Anchorage:</b>	no	-
<b>Overload Protector Bracket:</b>	no	-
<b>Capacitor Bracket:</b>	no	-
<b>Grommets:</b>	yes	2221004
<b>Sleeves:</b>	yes	2222016
<b>Washer:</b>	no	-
<b>Pin:</b>	no	-
<b>Clip:</b>	no	-
<b>Rotolock valve:</b>	no	-

### ELECTRICAL COMPONENTS

	Component type	Description	Code
<b>Starting Device:</b>	Potential relay	RVA403C-123	1253023
<b>Motor Protection:</b>	Internal	15HM1994	
<b>Start Capacitor:</b>		88-108 MFD 330V	2252269
<b>CSR / CSIR Box:</b>	yes		1272446

### EXTERNAL CHARACTERISTICS

**Base Plate:** Large  
**Tray Holder:** No  
**Height:** 265 mm

	Internal Diameter (mm)	Material	Shape
<b>Suction Connector</b>	9.6	Copper	Vertical
<b>Discharge Connector</b>	8	Copper	Slanted 65°
<b>Process Connector</b>	6.42	Copper	Vertical

## RATED POINT DATA

Cooling Capacity (W)	Power Consumption (W)	Current Consumption (A)	Gas Flow Rate (kg/h)	Efficiency (W/W)
±5%	±5%	±5%	±5%	±7%
2 009	931	5.41	50.40	2.16

Test condition: EN 12900, Fan, Return Gas 20°C, Subcooling OK, Evaporating: 5°C, Condensing: 50°C, Ambient: 35°C

## PERFORMANCE CURVE DATA

**220V 50Hz**

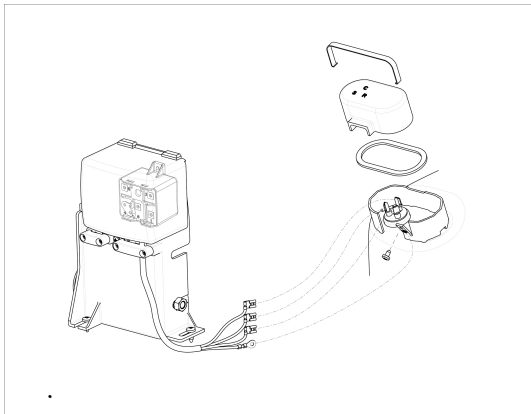
Condensing Temperature (°C)	Evaporating Temperature (°C)	Cooling Capacity (W)	Power Consumption (W)	Current Consumption (A)	Gas Flow Rate (kg/h)	Efficiency (W/W)
		±5%	±5%	±5%	±5%	±7%
<b>35°C</b>	10	3 149	880	5.12	68.88	3.58
	5	2 589	822	4.98	56.08	3.15
	0	2 115	771	4.83	45.46	2.74
	-5	1 709	721	4.69	36.54	2.37
	-10	1 354	667	4.54	28.82	2.03
	-15	1 032	605	4.40	21.82	1.71

Condensing Temperature (°C)	Evaporating Temperature (°C)	Cooling Capacity (W)	Power Consumption (W)	Current Consumption (A)	Gas Flow Rate (kg/h)	Efficiency (W/W)
		±5%	±5%	±5%	±5%	±7%
<b>45°C</b>	10	2 696	975	5.51	64.84	2.76
	5	2 199	895	5.26	52.36	2.46
	0	1 781	822	5.03	42.05	2.17
	-5	1 426	751	4.81	33.43	1.90
	-10	1 114	676	4.60	25.99	1.65
	-15	830	594	4.39	19.26	1.40

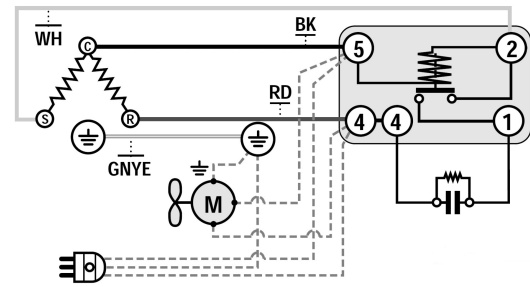
Condensing Temperature (°C)	Evaporating Temperature (°C)	Cooling Capacity (W)	Power Consumption (W)	Current Consumption (A)	Gas Flow Rate (kg/h)	Efficiency (W/W)
		±5%	±5%	±5%	±5%	±7%
<b>55°C</b>	10	2 260	1 071	5.90	60.59	2.11
	5	1 822	967	5.56	48.38	1.88
	0	1 457	872	5.24	38.32	1.67
	-5	1 148	780	4.93	29.92	1.47
	-10	876	685	4.65	22.70	1.28

Test condition: EN 12900, Fan, Return Gas 20°C, Subcooling OK, Ambient: 35°C

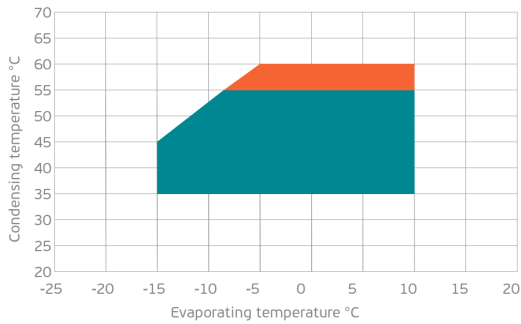
### ASSEMBLY INSTRUCTION



### WIRING DIAGRAM



### OPERATING ENVELOPE



- Operating Condition
- Transient Condition
- Superheating

**NOTE:** usage of compressors outside of intended working range cannot make use of the warranty, or should be consulted with Technical support.

