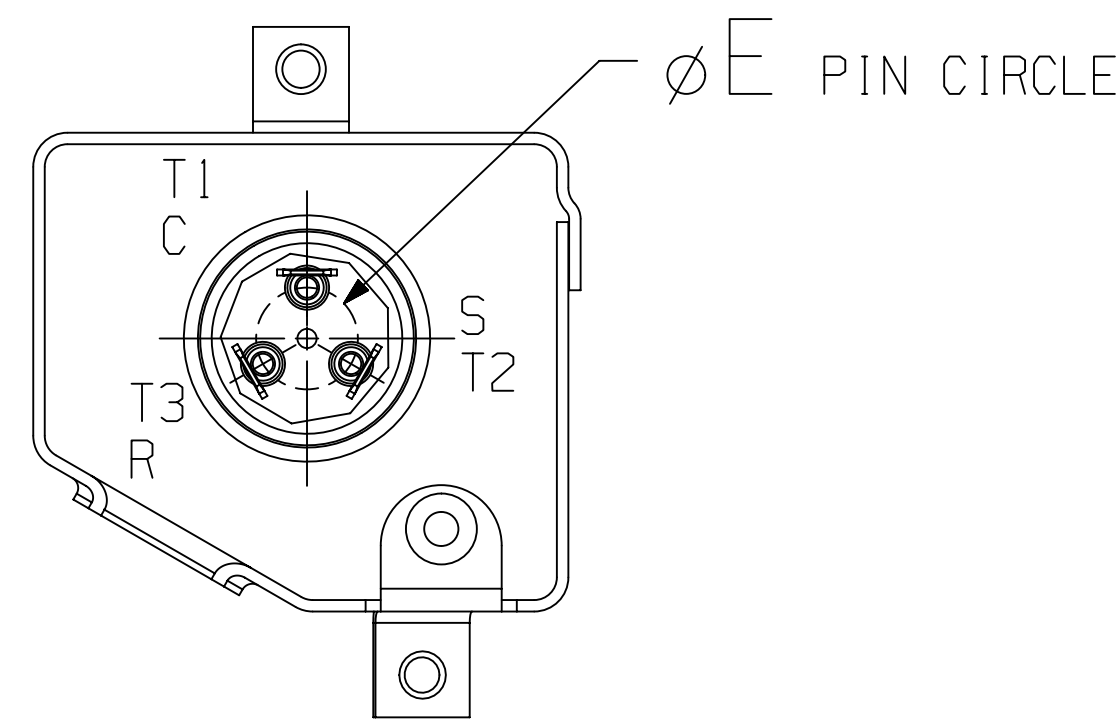
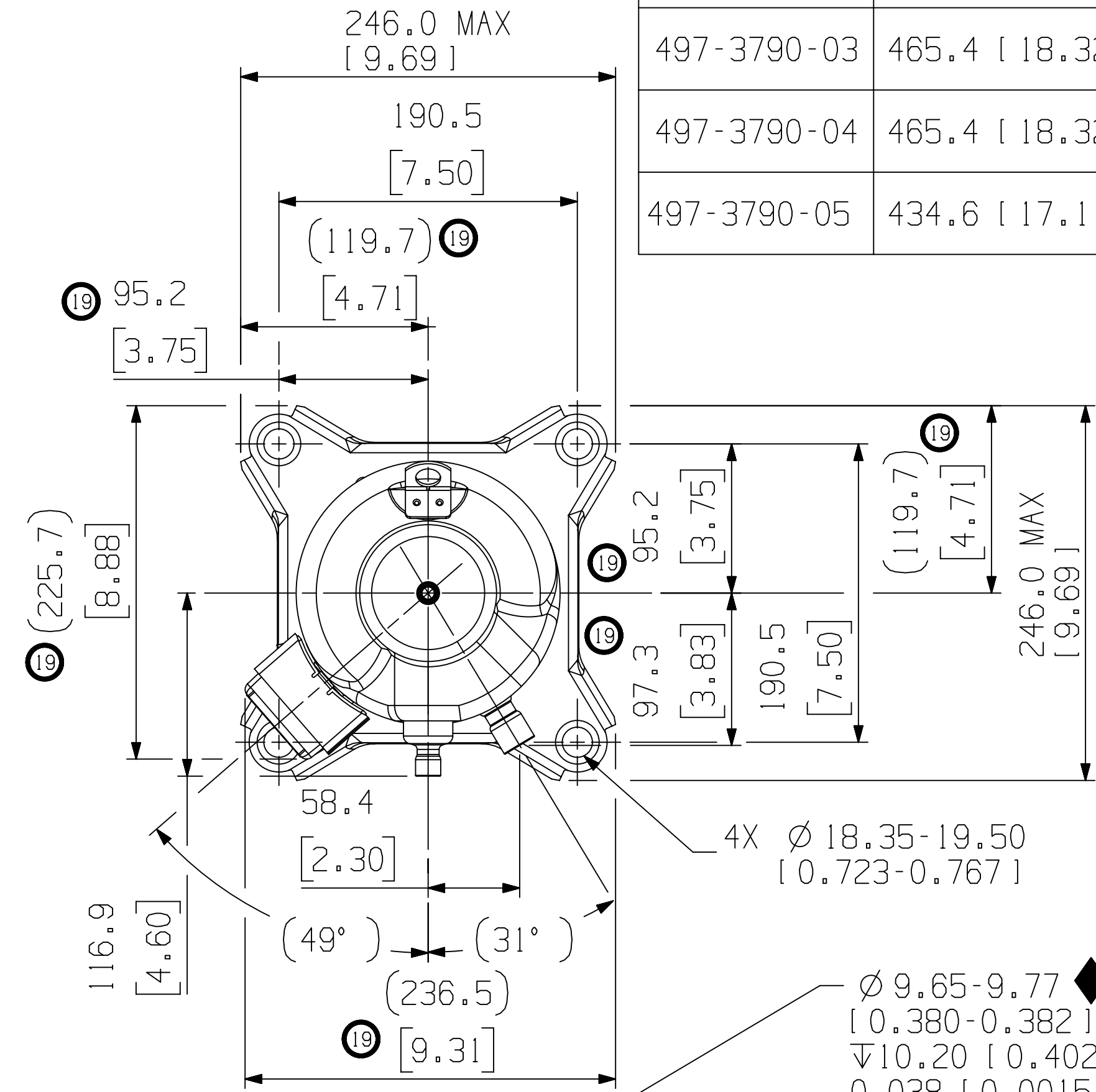
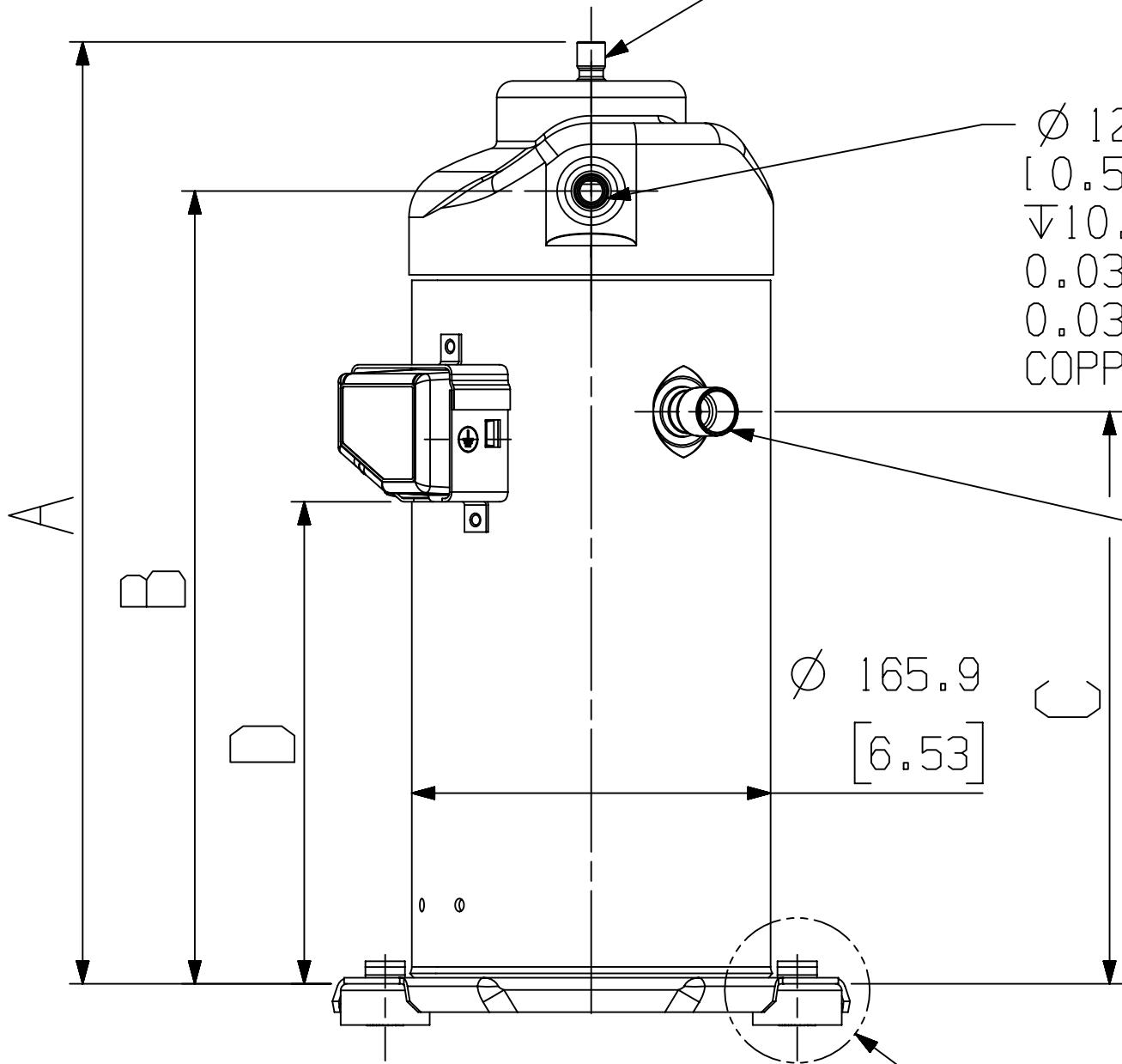


PART NUMBER	A ± 3.0	B	C	D ± 3.0	ϕE	ϕF	G	MODEL NUMBER
497-3790-00	434.6 [17.11]	365.7 [14.40]	263.7 [10.38]	222.1 [8.74]	13.46 [0.530]	19.12-19.30 [0.753-0.761]	17.00 [0.669]	ZRD36KC/KCE-PFV,TF5
497-3790-01	449.0 [17.68]	380.1 [14.96]	277.1 [10.91]	235.1 [9.25]	13.46 [0.530]	19.12-19.30 [0.753-0.761]	17.00 [0.669]	ZRD42KC/KCE-PFJ
497-3790-02	449.0 [17.68]	380.1 [14.96]	277.1 [10.91]	235.1 [9.25]	17.45 [0.687]	19.12-19.30 [0.753-0.761]	17.00 [0.669]	ZRD42KC/KCE-TFD
497-3790-03	465.4 [18.32]	396.5 [15.61]	293.5 [11.56]	252.0 [9.92]	13.46 [0.530]	22.30-22.48 [0.878-0.885]	20.40 [0.803]	ZRD48KC/KCE-PFV,PFZ,TF5
497-3790-04	465.4 [18.32]	396.5 [15.61]	293.5 [11.56]	252.0 [9.92]	17.45 [0.687]	22.30-22.48 [0.878-0.885]	20.40 [0.803]	ZRD48KC/KCE-TFD,TF7
497-3790-05	434.6 [17.11]	365.7 [14.40]	263.7 [10.38]	222.1 [8.74]	17.45 [0.687]	19.12-19.30 [0.753-0.761]	17.00 [0.669]	ZRD36KCE-TFD

SPECIFICATIONS	
ES NO.	DESCRIPTION
ES92-155	CONVERSION-METRIC



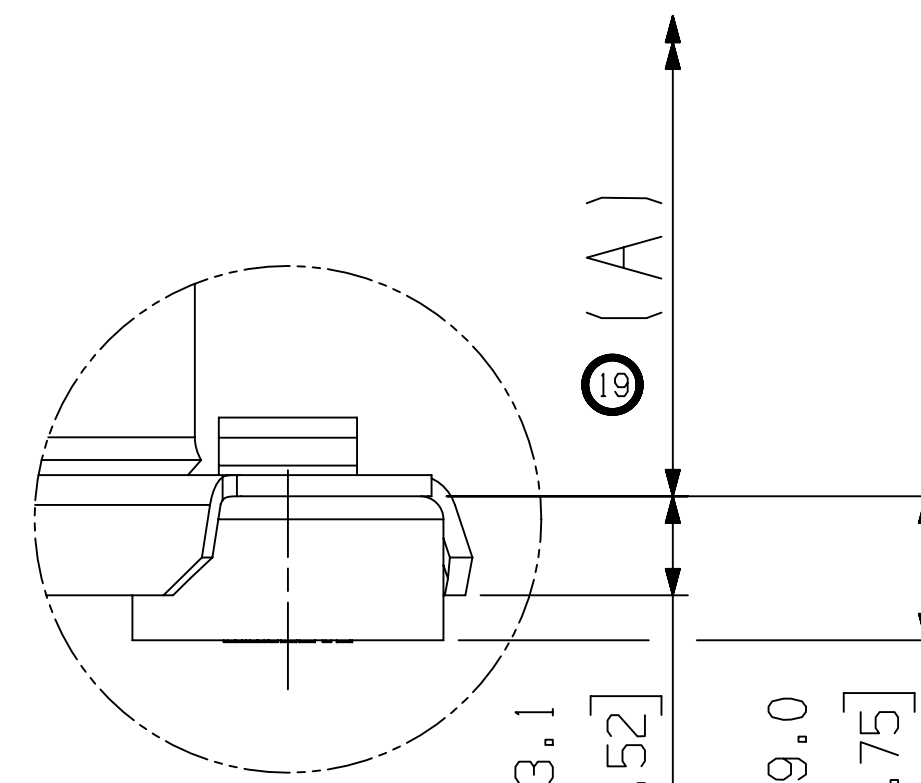
T*BOX LAYOUT
STANDARD
SCALE 2:1



$\phi 9.65-9.77$ [0.380-0.382] I.D.
 $\nabla 10.20$ [0.402] MIN.
0.038 [0.0015] MIN THICK EXTERIOR AND
0.038 [0.0015] MIN THICK INTERIOR
COPPER PLATED STEEL SOLENOID FITTING

$\phi 12.78-12.95$ [0.504-0.509] I.D.
 $\nabla 10.10$ [0.398] MIN.
0.038 [0.0015] MIN THICK EXTERIOR AND
0.038 [0.0015] MIN THICK INTERIOR
COPPER PLATED STEEL DISCHARGE FITTING

ϕF I.D. ∇G MIN.
0.038 [0.0015] MIN THICK EXTERIOR AND
0.038 [0.0015] MIN THICK INTERIOR
COPPER PLATED STEEL SUCTION FITTING



NOTES:

- 1 ALL TOLERANCES ± 1.5 [0.060] UNLESS OTHERWISE SPECIFIED.

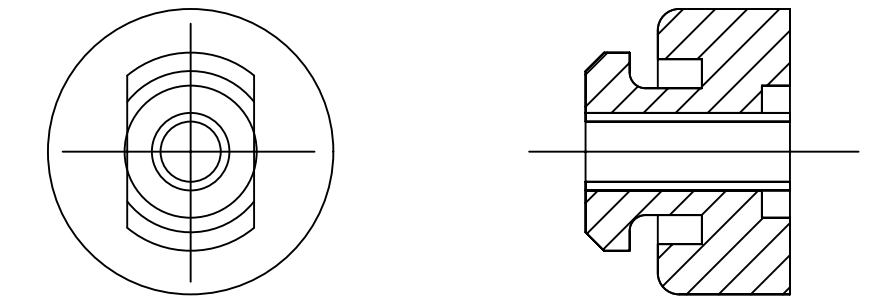
DUE TO ACCUMULATED ASSEMBLY TOLERANCES THE LISTED COMPONENTS MAY VARY FROM THE MOUNTING HOLES AS SHOWN BELOW:

ALL FITTINGS : ± 3.0 [0.12]

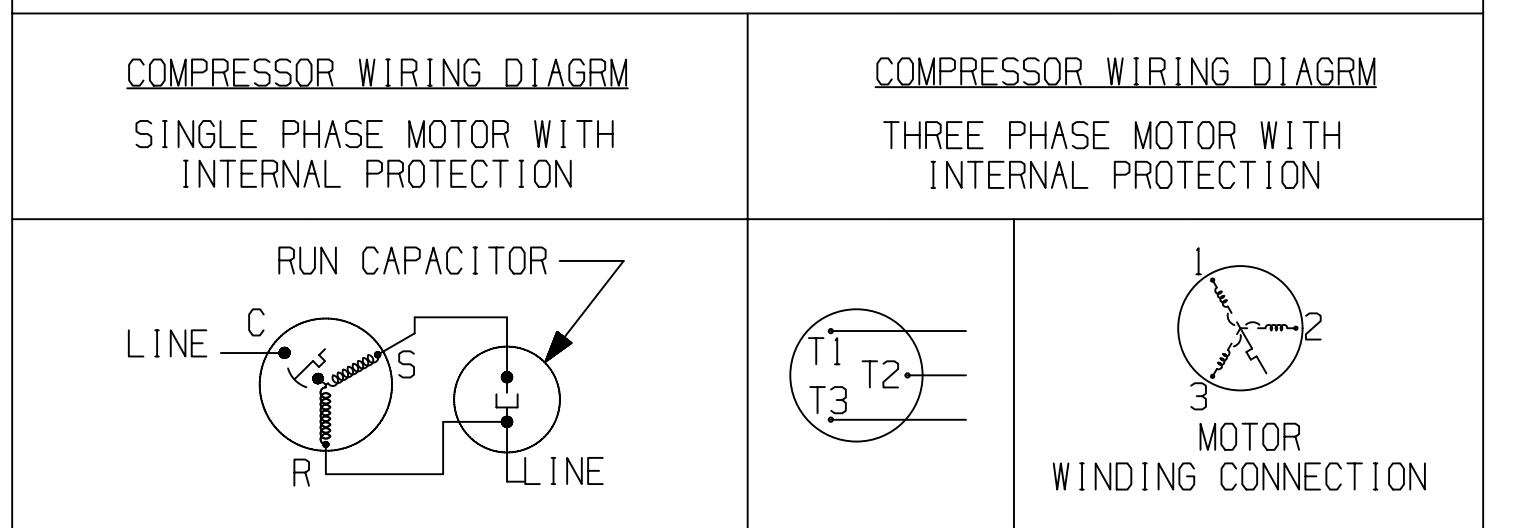
MOUNTING KIT.

3. TUBE ENDS MUST BE PLUGGED.

GROMMET DUROMETER	4 FOOT KIT
35-45	527-0116-00



USE COPPER CONDUCTORS ONLY. USE MINIMUM 75° C WIRE FOR AMPACITY DETERMINATION. INTERNAL MOTOR PROTECTION - ALLOW TIME FOR RESET. OVERCURRENT PROTECTION DEVICE RATING AND TYPE MUST BE IN ACCORDANCE WITH REGULATORY AGENCY END PRODUCT APPROVALS - SEE SYSTEM NAMEPLATE. CRANKCASE HEATER, WHEN APPLIED, MUST BE CONNECTED ONLY TO ITS RATED VOLTAGE. TO CORRECT IMPROPER ROTATION OF THREE PHASE MODELS, SWITCH ANY TWO SUPPLY LINES. REFER TO THE APPLICABLE SYSTEM WIRING DIAGRAM.



ECN302384	19	REDRAWN WITH CHANGES & RELEASED 01 THRU 05	07-06-17	NST	PBM	JAS
32-0601-076	0	RELEASED	12-18-06	EC	GD	RT
ENG NOTICE NO.	REV.NO.	REVISIONS	DATE	BY	CHKD	APPR

CONFIDENTIALITY NOTICE					
10 THIS DRAWING AND INFORMATION CONTAINED HEREIN ARE THE EXCLUSIVE PROPERTY OF EMERSON CLIMATE TECHNOLOGIES, INC. AND SHALL BE RETURNED UPON DEMAND AND SHALL NOT BE REPRODUCED IN WHOLE OR IN PART DISCLOSED TO ANYONE ELSE OR USED, WITHOUT THE WRITTEN CONSENT OF EMERSON CLIMATE TECHNOLOGIES, INC.					
MATERIAL SPECIFICATION	N/A	DRAWN BY	NST	SUPERSEDES DWG. NO. / REV. NO.	497-3790-00/018
		DATE	07-06-17	SCALE	1:3
				DATE FORMAT:	MM-DD-YY
TITLE	REF DWG-WELD COMP ASSM	DRAWING NUMBER	497-3790-00	SHEET 1 OF 1	DWG 4



INTERPRET PER ASME Y14.5M-1994 AND EMERSON CLIMATE TECHNOLOGIES, INC. DESIGN STANDARDS DS2002

DO NOT SCALE DRAWING

THIRD ANGLE PROJECTION

CRITICAL PRODUCT CHARACTERISTICS

UNLESS OTHERWISE SPECIFIED DIMENSIONS ARE MILLIMETER OR (1 INCH)

1-PLACE \pm
2-PLACE \pm
ANGULAR \pm