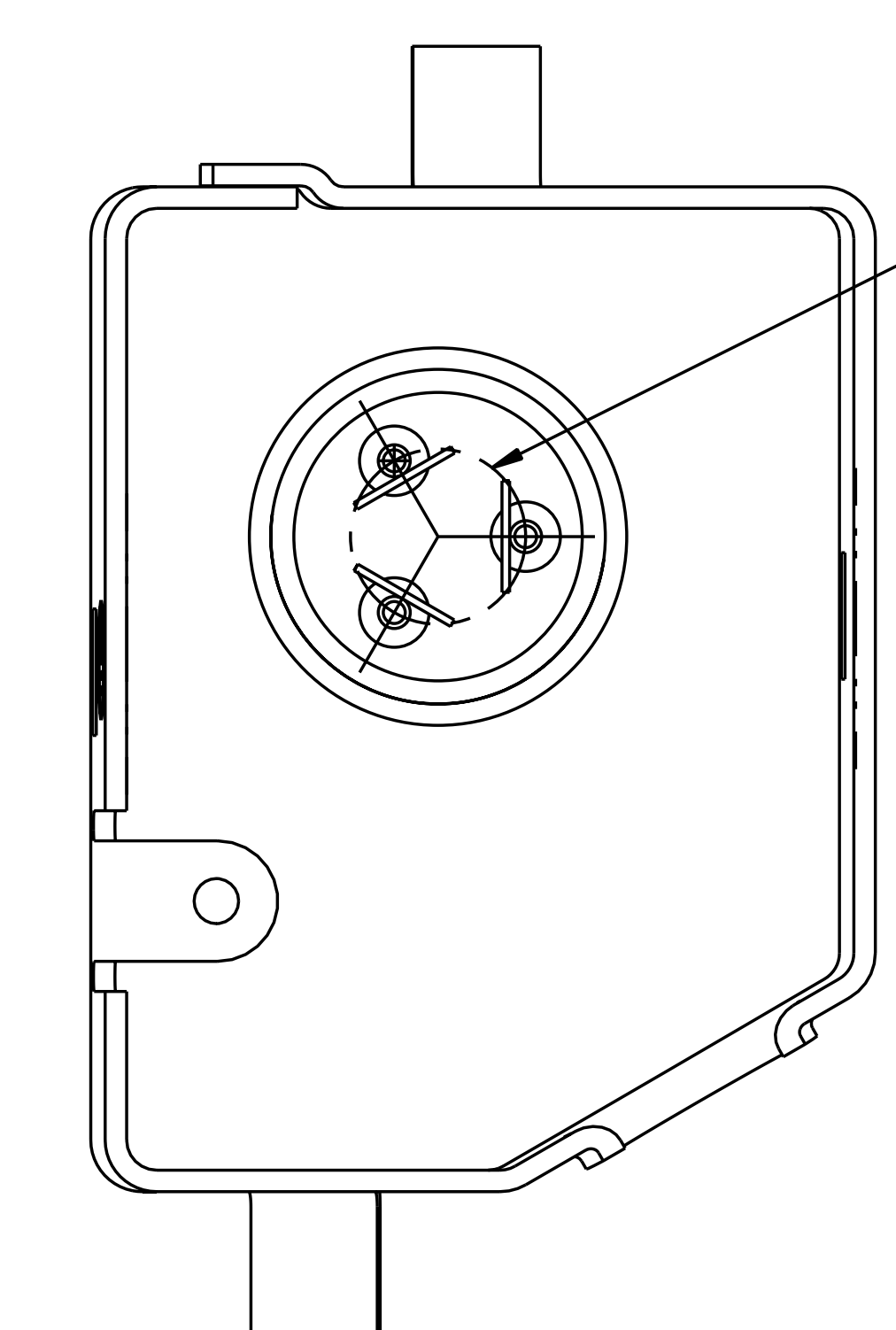
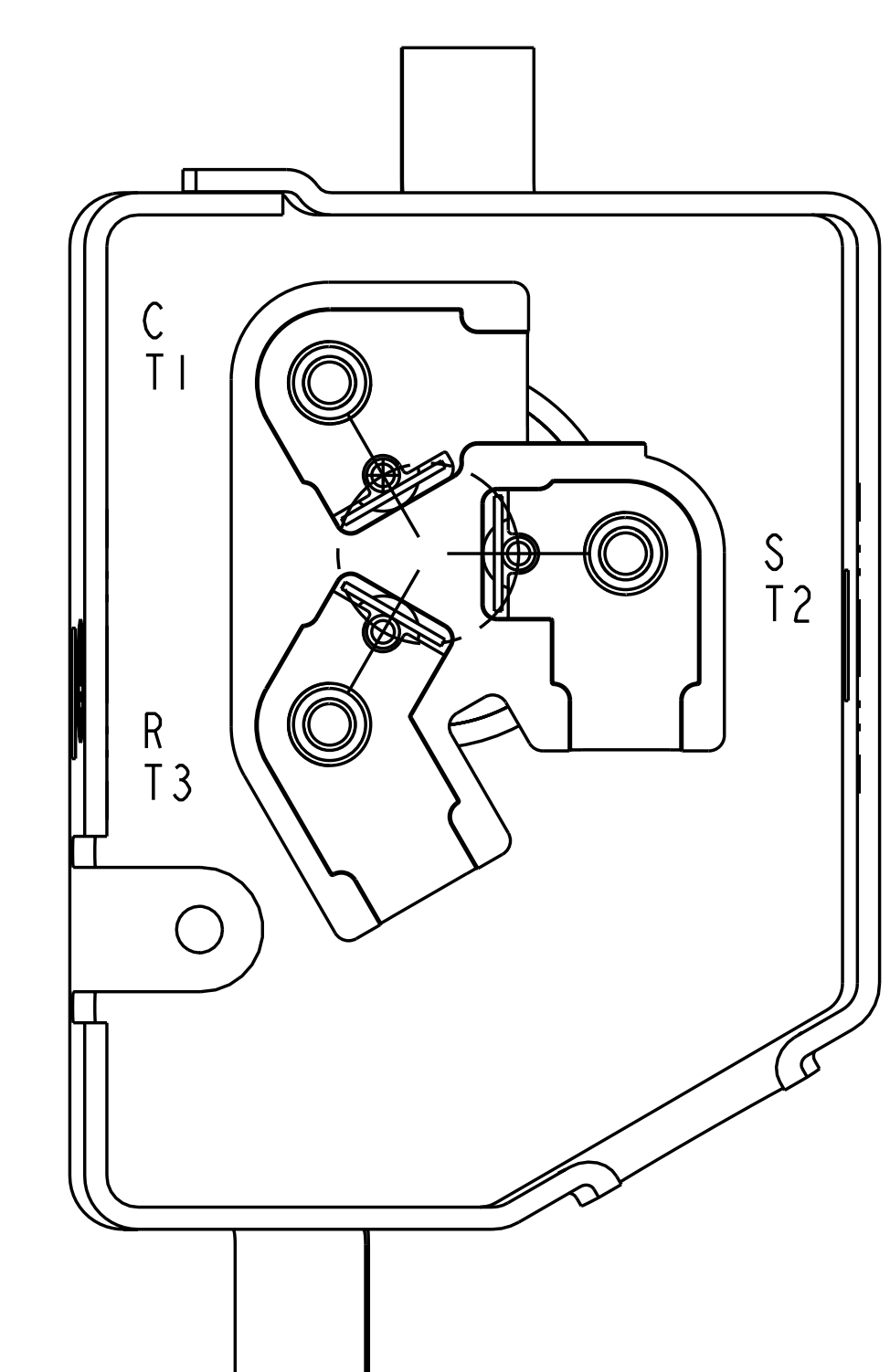
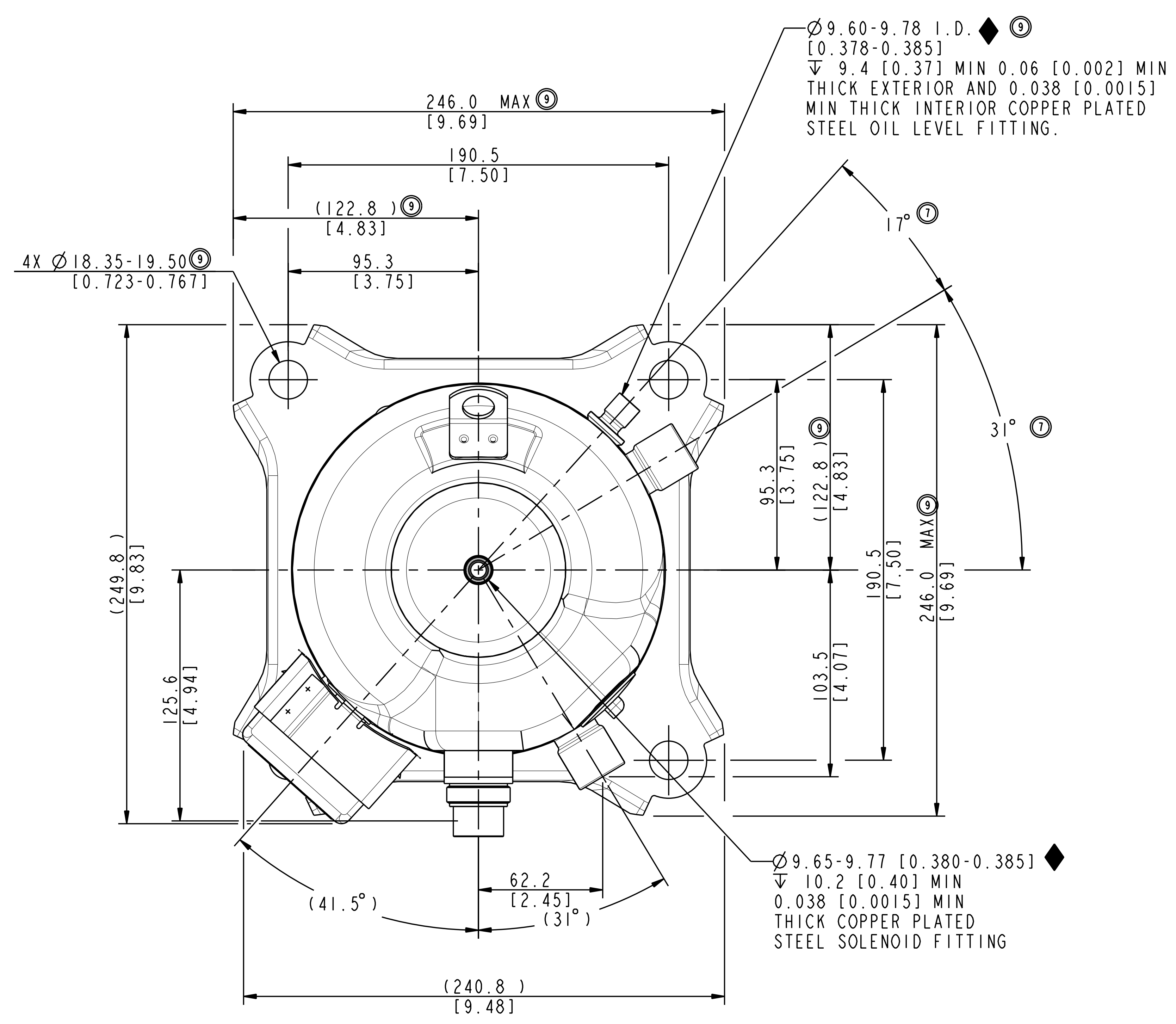


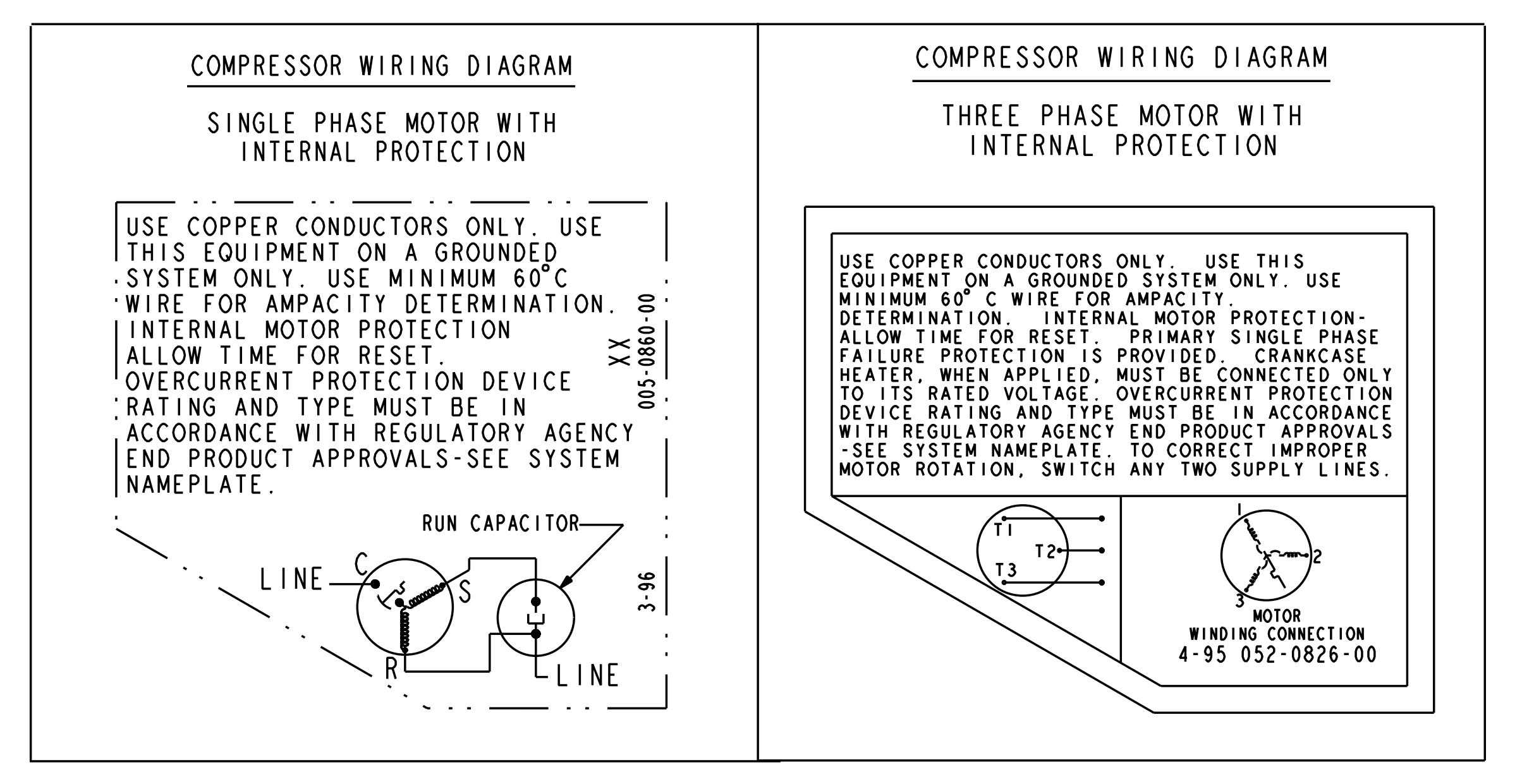
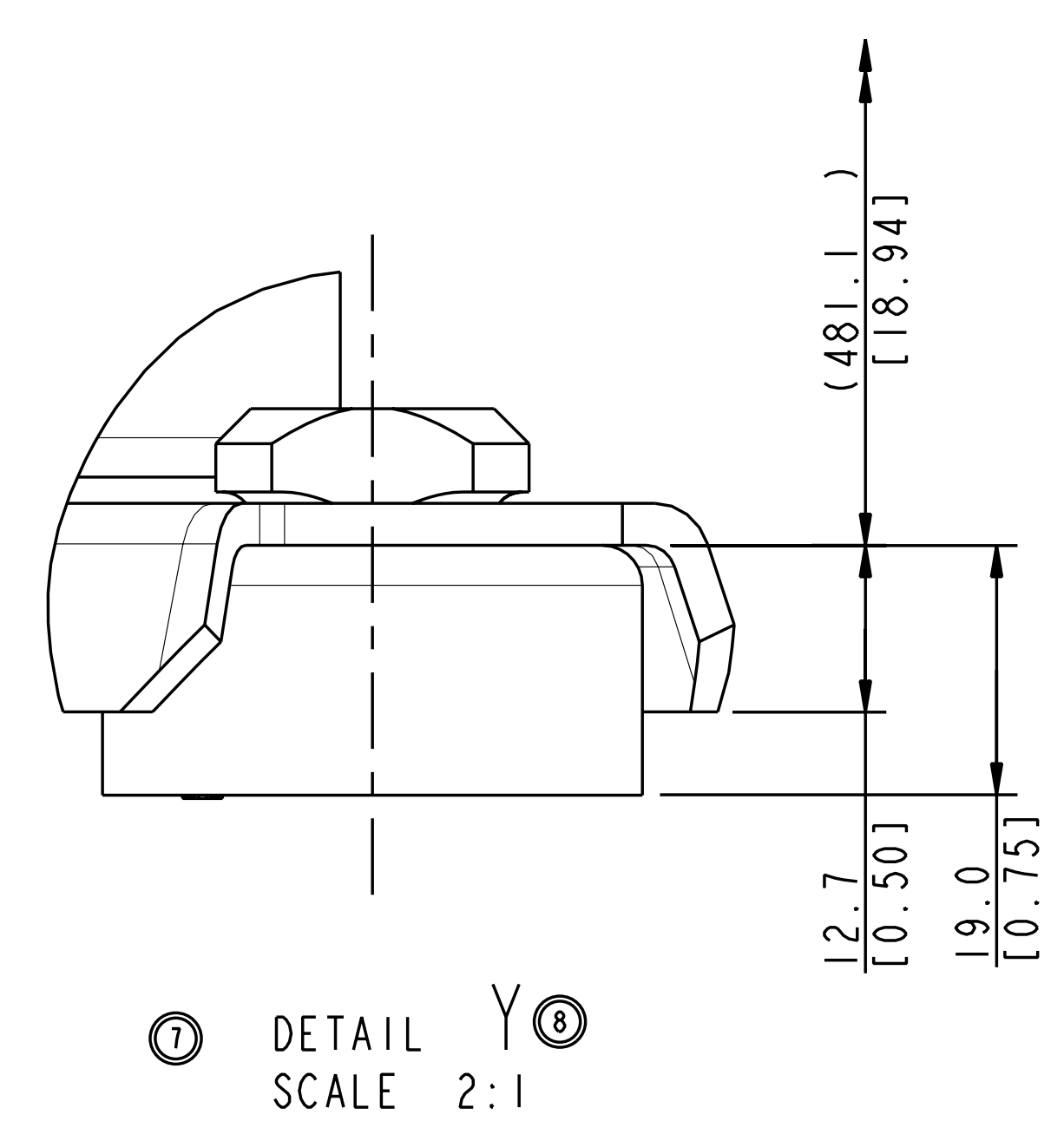
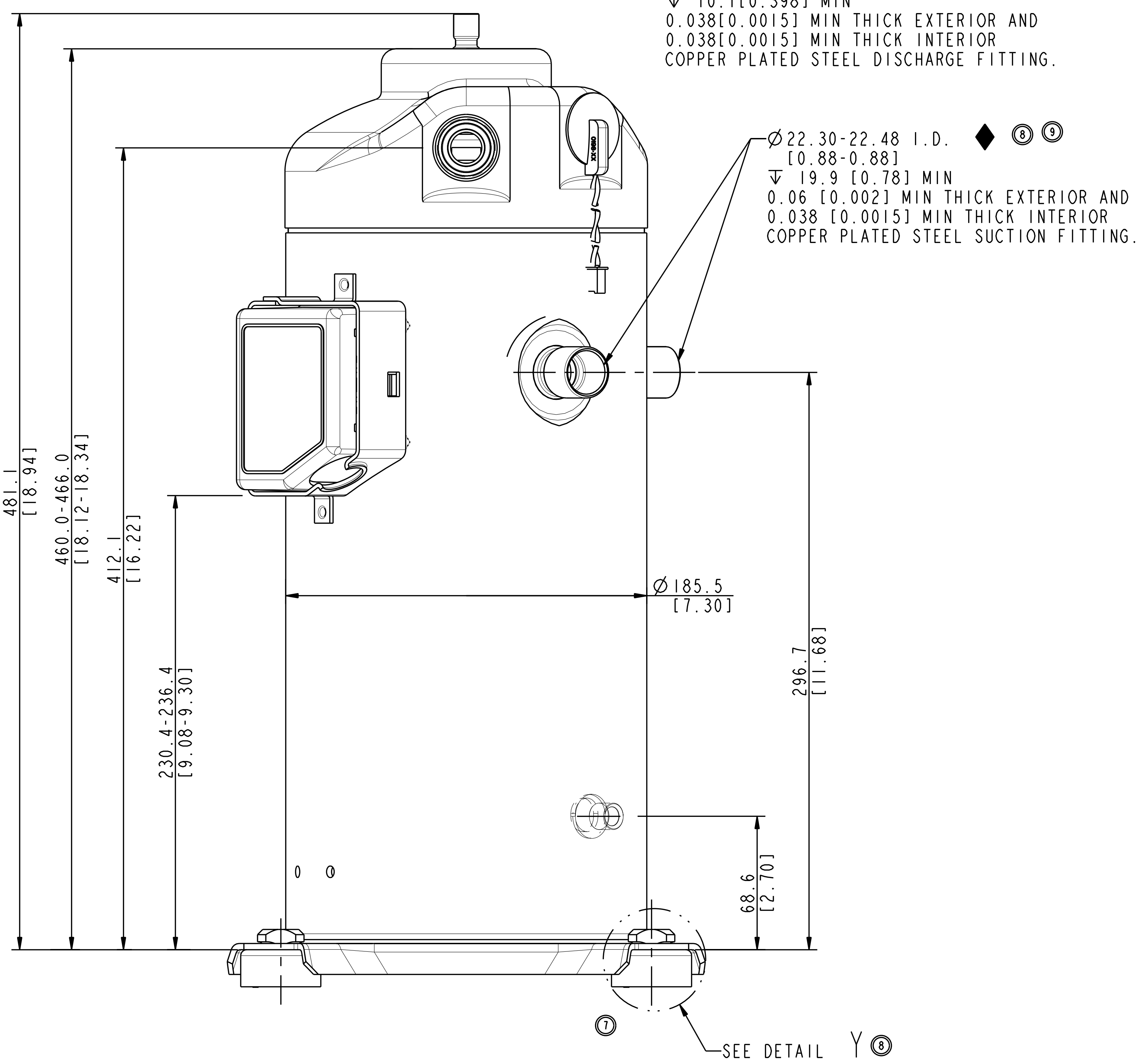
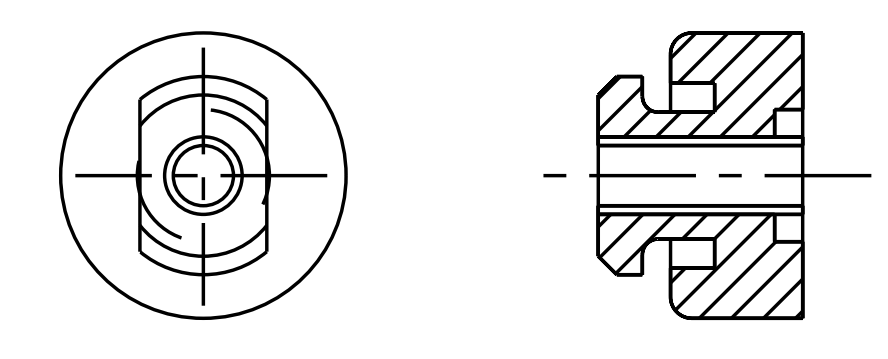
MODEL NUMBER
ZRD49KC-TFD
⑩ ZRD61KC/KCE-PFZ, TFD, TF5, TF7, TFE
ZRD72KC/KCE-TFD, TF5, TF7
⑪ ZRD81KC/KCE-TFD, TF7

SPECIFICATIONS	
ES NO.	DESCRIPTION
ES92-155	CONVERSION-METRIC



- NOTES:
- ALL TOLERANCES ±1.50 [0.060] UNLESS OTHERWISE SPECIFIED.
 - DUE TO ACCUMULATED ASSEMBLY TOLERANCES THE LISTED COMPONENTS MAY VARY FROM THE MOUNTING HOLES AS SHOWN BELOW:
 - ALL FITTINGS : ±3.0 [0.12]
 - MOUNTING KIT.
 - TUBE ENDS MUST BE PLUGGED.

MODELS	GROMMET DUROMETER	4 FOOT KIT
ZR#49 THRU 61	60-70	527-0212-00
ZR#68 THRU 81	STEEL	527-0181-00



INTERPRET PER ASME Y14.5M-1994 AND EMERSON CLIMATE TECHNOLOGIES, INC. DESIGN STANDARDS DS2002 DO NOT SCALE DRAWING
 THIRD ANGLE PROJECTION
 CRITICAL PRODUCT CHARACTERISTIC
 UNLESS OTHERWISE SPECIFIED DIMENSIONS ARE MILLIMETER OR (INCH)
 TOLERANCES:
 1-PLACE ± 0.125 [0.005]
 2-PLACE ± 0.25 [0.010]
 ANGULAR ± 0.5°

REV. NO.	DESCRIPTION	DATE	BY	CHKD	APPR
10	ADDED ZRD61KCE-TFE	01-28-14	JLS	LLB	KJR
9	REVISED DIMENSIONS	06-15-12	PPJ	MA	KJR
8	ADDED MODELS ZRD81KC/KCE-TFD, TF7	10-29-09	PDM	MA	KJR
7	REPLACED SPACER MOUNTING ASSM. WAS: 527-0180-00	01-28-08	SVK	EC	KJR
6	CHANGED FORMAT FOR PROJECT INC	02-27-07	SVK	CHK	RST
5	REVISED DIMENSIONS AND NOTES	03-07-06	BWK	EC	RST
4	ADDED MODELS: ZRD49KC-TFD5-TF7	02-13-06	EC	KR	RST
3	REDRAWN AND REVISED; ADDED MODELS	09-21-05	TM	EC	RST
0	RELEASED	12-10-02	EC	GDD	RST

ENG NOTICE NO. REV. NO. REVISIONS DATE BY CHKD APPR
 CONFIDENTIALITY NOTICE
 THIS DRAWING AND INFORMATION CONTAINED HEREIN ARE THE EXCLUSIVE PROPERTY OF EMERSON CLIMATE TECHNOLOGIES, INC. AND SHALL BE RETURNED UPON DEMAND AND SHALL NOT BE REPRODUCED IN WHOLE OR IN PART, DISCLOSED TO ANYONE ELSE OR USED, WITHOUT THE WRITTEN CONSENT OF EMERSON CLIMATE TECHNOLOGIES, INC.
 MATERIAL SPECIFICATION: N/A
 DRAWN BY: TDS
 DATE: 11-24-04
 SUPERSEDES DWG. NO. / REV. NO.: 497-3793-00 / 2
 SCALE: 3:4
 DATE FORMAT: MM-DD-YY
 DRAWING NUMBER: N/A
 SHEET 1 OF 1
 REF DWG-WELD COMP ASSM
 497-3793-00