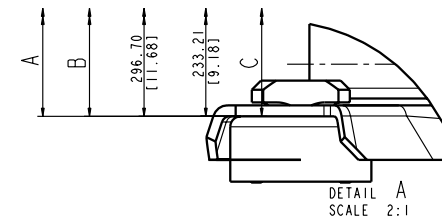
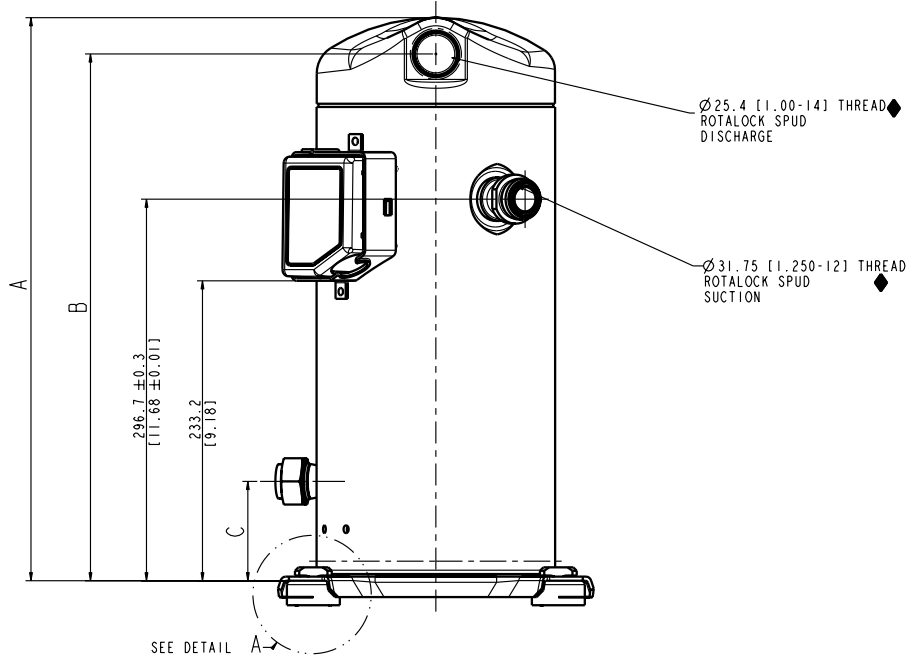


TERMINAL BOX LAYOUT OPTIONS
TERMINAL BOX COVER NOT SHOWN
SCALE 3:2



DETAIL A
SCALE 2:1

ENG NOTICE NO.	REV. NO.	REVISIONS	DATE	BY	CHKD	APPD
ECN00140	2	UPDATED SIGHT GLASS ASSEMBLY	01-26-11	FY	LZC	CA
ECN00018	1	SEE SHEET 1	09-21-10	FY	LZC	SA
ECN001009	0	RELEASED	01-02-09	FY	LZC	SA

INTERPRET PER ASME Y14.2M-1994 AND EMERSON CLIMATE TECHNOLOGIES, INC. DESIGN STANDARDS 000022-001. THIS DRAWING IS THE PROPERTY OF EMERSON CLIMATE TECHNOLOGIES, INC. AND SHALL BE RETURNED UPON DEMAND AND SHALL NOT BE REPRODUCED IN WHOLE OR IN PART, DISCLOSED TO ANYONE ELSE OR USED, WITHOUT THE WRITTEN CONSENT OF EMERSON CLIMATE TECHNOLOGIES, INC.

THIS DRAWING AND INFORMATION CONTAINED HEREIN ARE THE EXCLUSIVE PROPERTY OF EMERSON CLIMATE TECHNOLOGIES, INC. AND SHALL BE RETURNED UPON DEMAND AND SHALL NOT BE REPRODUCED IN WHOLE OR IN PART, DISCLOSED TO ANYONE ELSE OR USED, WITHOUT THE WRITTEN CONSENT OF EMERSON CLIMATE TECHNOLOGIES, INC.

DRAWN BY: SUPERSEDES DWG. NO. / REV. NO. INITIALS: DATE: SCALE: DATE FORMAT: UNLESS OTHERWISE SPECIFIED DIMENSIONS ARE IN MILLIMETERS OR INCHES. TOLERANCES: FRACTIONS: DECIMALS: PLACE: ANGULAR: ± 0.5°

N/A
 07-02-09
 3:2
 REF DWG - WELD COMP ASSM
 DRAWING NUMBER: SHEET 2 OF 2
 497-0877-00

